



T&S BRASS AND BRONZE WORKS, INC.
 2 Saddleback Cove / P.O. Box 1088
 Travelers Rest, SC 29690

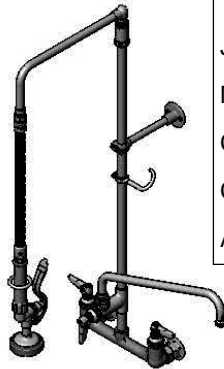
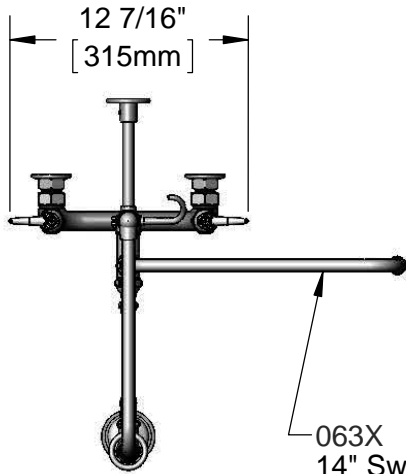
Model No.
B-0131-ADF14-B

Item No.

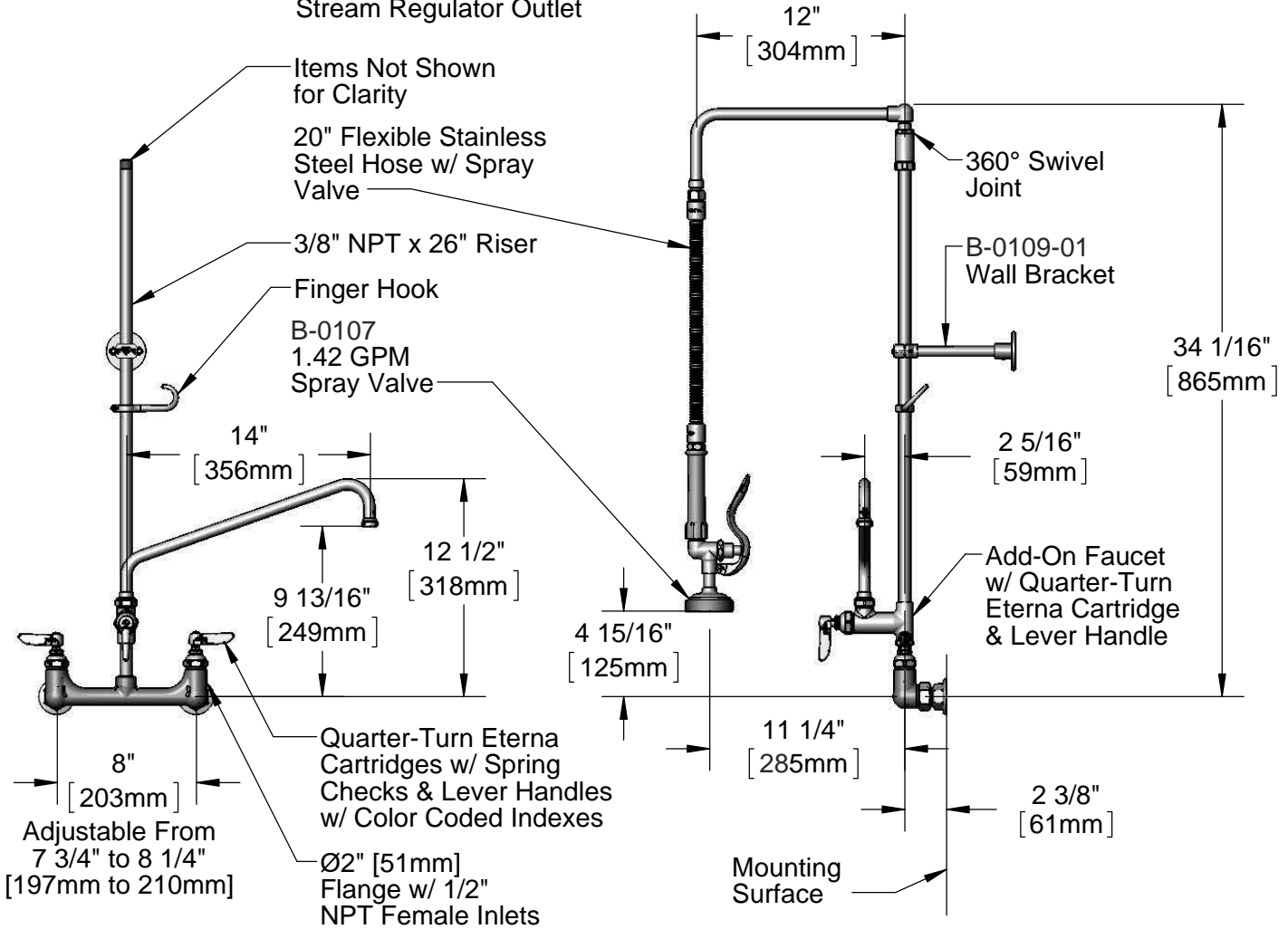
Travelers Rest, SC: 800-476-4103 • Simi Valley, CA: 800-423-0150 • Fax: 864-834-3518 • www.tsbrass.com

This Space for Architect/Engineer Approval

Job Name _____ Date _____
 Model Specified _____ Quantity _____
 Customer/Wholesaler _____
 Contractor _____
 Architect/Engineer _____



063X
 14" Swing Nozzle w/
 Stream Regulator Outlet



Product Specifications:

Pre-Rinse Unit: 8" Wall Mount Mixing Faucet, Quarter-Turn Eterna Cartridges w/ Spring Checks, Lever Handles, Overhead Swivel Arm, Add-On Faucet, 14" Swing Nozzle, 20" Flexible Stainless Steel Hose, 1.42 GPM Spray Valve, 6" Wall Bracket & 1/2" NPT Female Inlets

Product Compliance:

ASME A112.18.1 / CSA B125.1
 NSF 61 - Section 9
 NSF 372 (Low Lead Content)
 EPA Act 2005 (PRSV)



T&S BRASS AND BRONZE WORKS, INC.

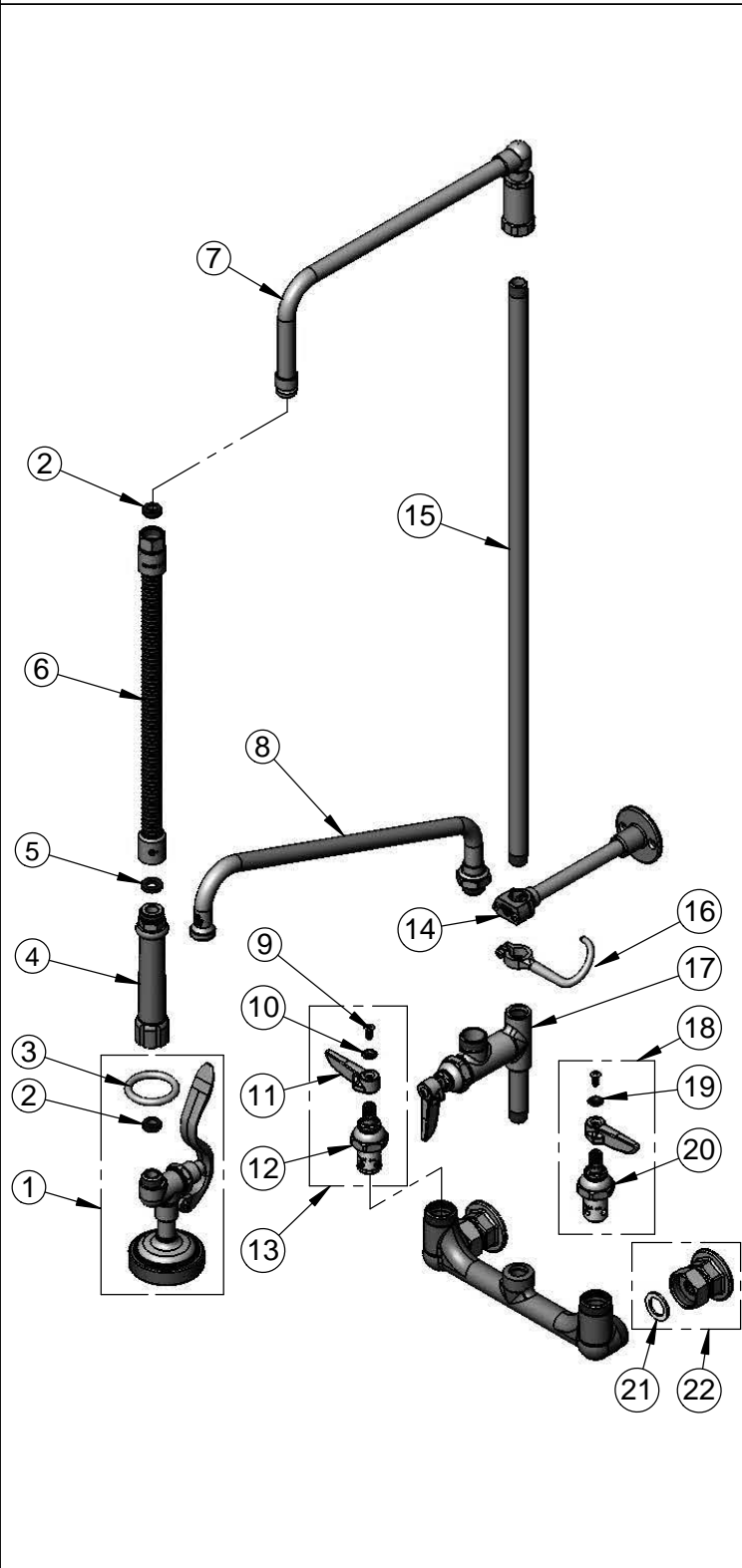
2 Saddleback Cove / P.O. Box 1088
Travelers Rest, SC 29690

Model No.

B-0131-ADF14-B

Item No.

Travelers Rest, SC: 800-476-4103 • Simi Valley, CA: 800-423-0150 • Fax: 864-834-3518 • www.tsbrass.com



ITEM NO.	SALES NO.	DESCRIPTION
1	B-0107	1.42 GPM Spray Valve
2	010476-45	#27 Washer
3	000907-45	Spray Valve Hold Down Ring
4	002987-40	Grip Handle
5	001014-45	Washer, B-0100 Hose Barrel
6	B-0020-H2A	20" Flexible Stainless Steel Hose, Less Handle
7	002882-40	12" Overhead Swivel Arm
8	063X	14" Swing Nozzle
9	000922-45	Lever Handle Screw
10	001661-45	Red Index-HW
11	001638-45	Lever Handle
12	012443-40	Quarter-Turn Eterna Cartridge, RTC w/ Spring Check
13	002712-40	Quarter-Turn Eterna Cartridge, RTC w/ Spring Check, Handle, Index & Screw
14	B-0109-01	6" Wall Bracket
15	000373-40	3/8" NPT x 26" Riser
16	004R	Finger Hook
17	B-0155-LN	Add-on Faucet w/ Quarter-Turn Eterna Cartridge, Less Nozzle
18	002711-40	Quarter-Turn Eterna Cartridge, LTC w/ Spring Check, Handle, Index & Screw
19	001660-45	Blue Index-CW
20	012442-40	Quarter-Turn Eterna Cartridge, LTC w/ Spring Check
21	001019-45	Coupling Nut Washer
22	00AA	1/2" NPT Female Eccentric Flange

Product Specifications:
Pre-Rinse Unit: 8" Wall Mount Mixing Faucet, Quarter-Turn Eterna Cartridges w/ Spring Checks, Lever Handles, Overhead Swivel Arm, Add-On Faucet, 14" Swing Nozzle, 20" Flexible Stainless Steel Hose, 1.42 GPM Spray Valve, 6" Wall Bracket & 1/2" NPT Female Inlets

Product Compliance:
ASME A112.18.1 / CSA B125.1
NSF 61 - Section 9
NSF 372 (Low Lead Content)
EPA Act 2005 (PRSV)