



T&S BRASS AND BRONZE WORKS, INC.

2 Saddleback Cove / P.O. Box 1088
Travelers Rest, SC 29690

Model No.

B-0131-BC-425

Item No.

Travelers Rest, SC: 800-476-4103 • Simi Valley, CA: 800-423-0150 • Fax: 864-834-3518 • www.tsbrass.com

This Space for Architect/Engineer Approval

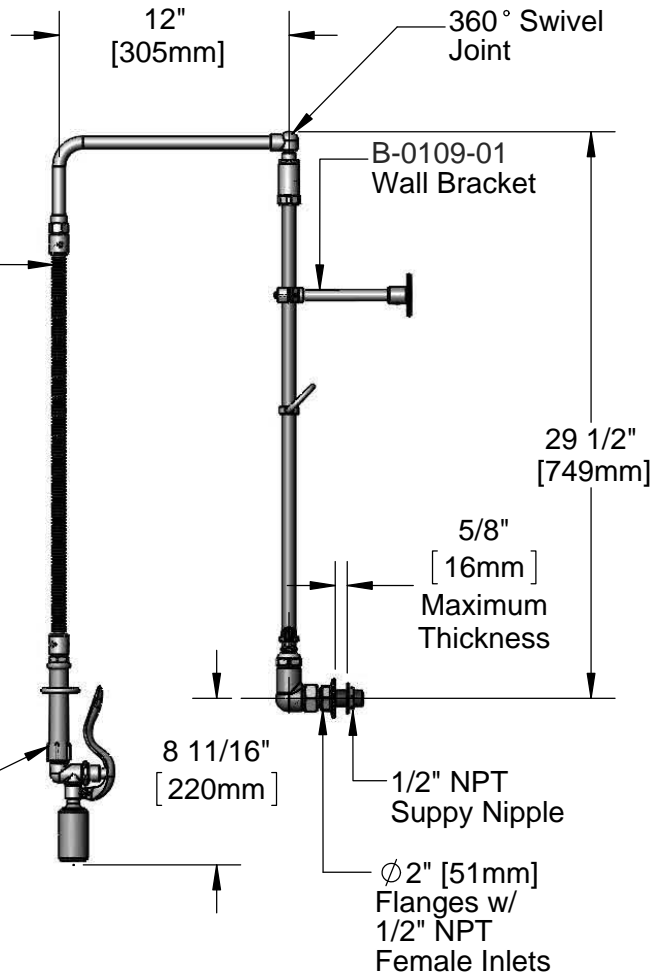
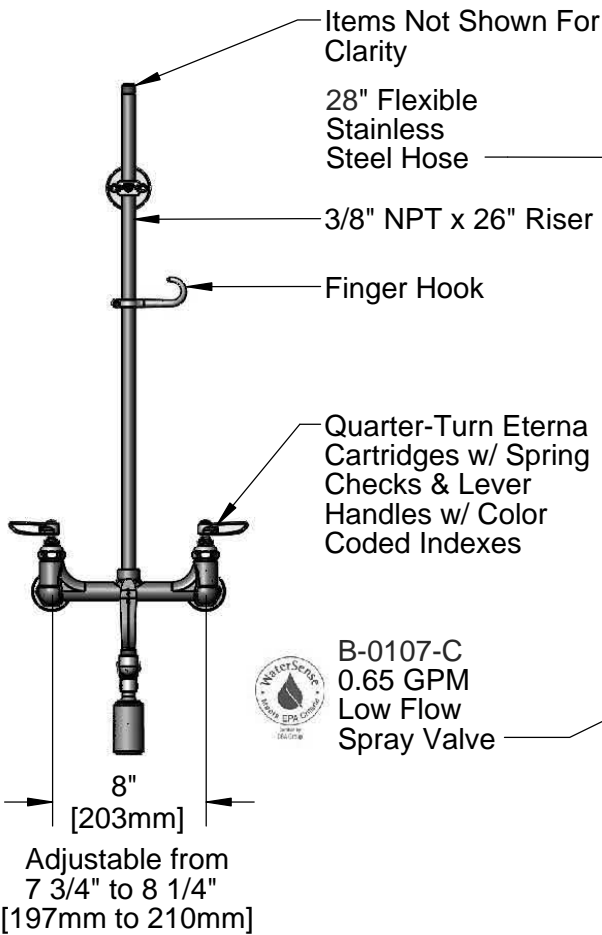
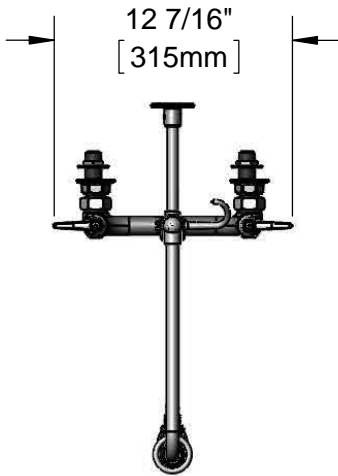
Job Name _____ Date _____

Model Specified _____ Quantity _____

Customer/Wholesaler _____

Contractor _____

Architect/Engineer _____



Product Specifications:

Pre-Rinse Unit: 8" Wall Mount Mixing Faucet, Quarter-Turn Eterna Cartridges w/ Spring Checks, Lever Handles, Overhead Swivel Arm, 28" Flexible Stainless Steel Hose, 0.65 Low Flow Spray Valve, 6" Wall Bracket, 1/2" NPT Female Inlets w/ 1/2" x 2" Supply Nipple Kit

Product Compliance:

ASME A112.18.1 / CSA B125.1
NSF 61 - Section 9
NSF 372 (Low Lead Content)
EPA Act 2005 (PRSV)
EPA WaterSense (PRSV)



T&S BRASS AND BRONZE WORKS, INC.

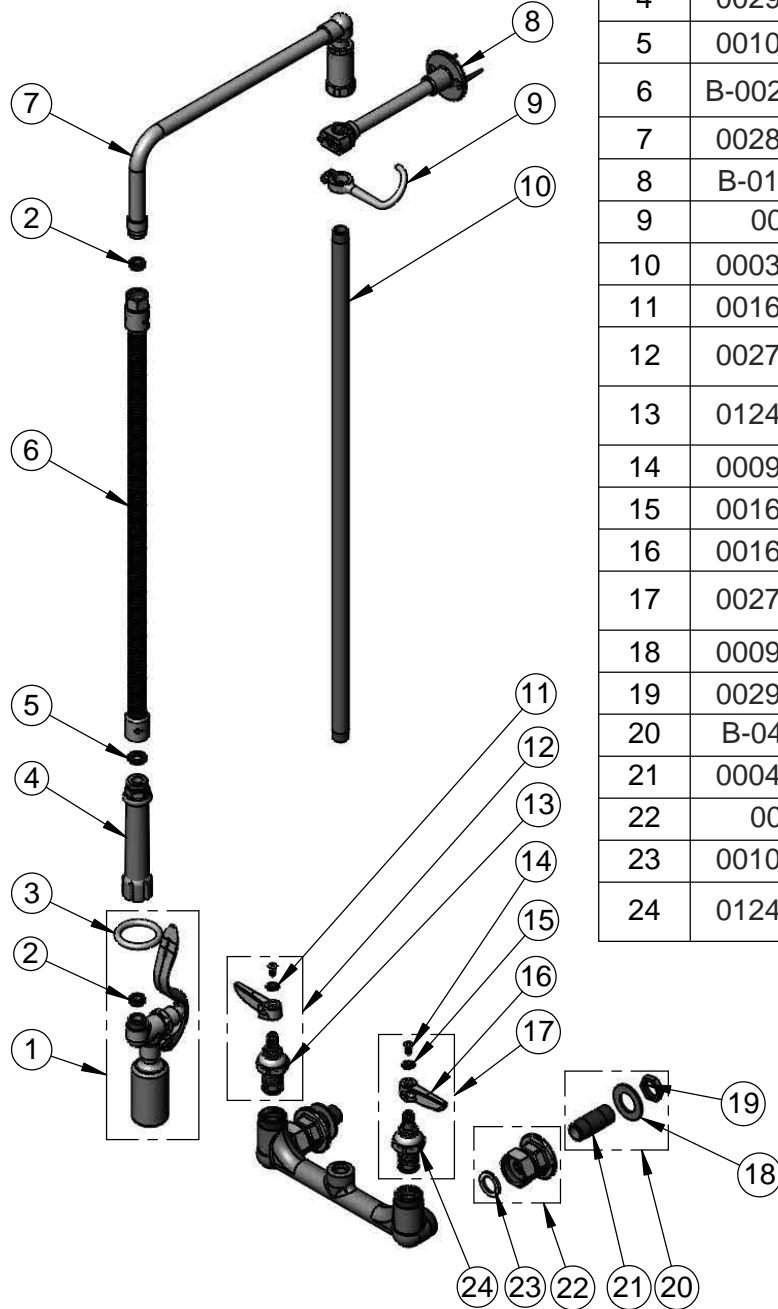
2 Saddleback Cove / P.O. Box 1088
Travelers Rest, SC 29690

Model No.

B-0131-BC-425

Item No.

Travelers Rest, SC: 800-476-4103 • Simi Valley, CA: 800-423-0150 • Fax: 864-834-3518 • www.tsbrass.com



ITEM NO.	SALES NO.	DESCRIPTION
1	B-0107-C	0.65 GPM Low Flow Spray Valve
2	010476-45	#27 Washer
3	000907-45	Spray Valve Hold Down Ring
4	002987-40	Grip Handle
5	001014-45	Washer, B-0100 Hose Barrel
6	B-0028-H2A	28" Flexible Stainless Steel Hose, Less Handle
7	002882-40	12" Swivel L-Tube
8	B-0109-01	6" Wall Bracket
9	004R	Finger Hook
10	000373-40	3/8" NPT x 26" Riser
11	001661-45	Red Index-HW
12	002712-40	Quarter-Turn Eterna Cartridge, RTC w/ Spring Check, Handle, Index & Screw
13	012443-40	Quarter-Turn Eterna Cartridge, RTC w/ Spring Check
14	000922-45	Lever Handle Screw
15	001660-45	Blue Index-CW
16	001638-45	Lever Handle
17	002711-40	Quarter-Turn Eterna Cartridge, LTC w/ Spring Check, Handle, Index & Screw
18	000999-45	Brass Lock Washer
19	002954-45	Shank Lock Nut
20	B-0425-M	1/2" NPT Supply Nipple Kit (2)
21	000422-20	1/2" NPT x 2" Supply Nipple
22	00AA	1/2" NPT Female Eccentric Flange
23	001019-45	Coupling Nut Washer
24	012442-40	Quarter-Turn Eterna Cartridge, LTC w/ Spring Check

Product Specifications:

Pre-Rinse Unit: 8" Wall Mount Mixing Faucet, Quarter-Turn Eterna Cartridges w/ Spring Checks, Lever Handles, Overhead Swivel Arm, 28" Flexible Stainless Steel Hose, 0.65 Low Flow Spray Valve, 6" Wall Bracket, 1/2" NPT Female Inlets w/ 1/2" x 2" Supply Nipple Kit

Product Compliance:

ASME A112.18.1 / CSA B125.1
NSF 61 - Section 9
NSF 372 (Low Lead Content)
EPA Act 2005 (PRSV)
EPA WaterSense (PRSV)