



T&S BRASS AND BRONZE WORKS, INC.

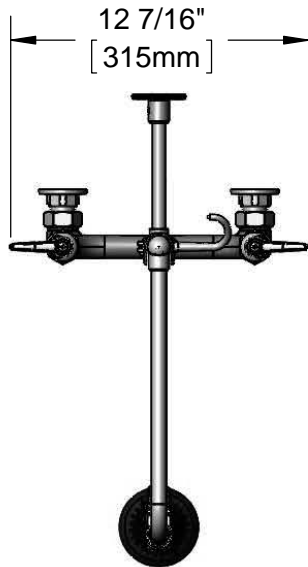
2 Saddleback Cove / P.O. Box 1088
Travelers Rest, SC 29690

Model No.

B-0131-CR-B08C

Item No.

Travelers Rest, SC: 800-476-4103 • Simi Valley, CA: 800-423-0150 • Fax: 864-834-3518 • www.tsbrass.com



This Space for Architect/Engineer Approval

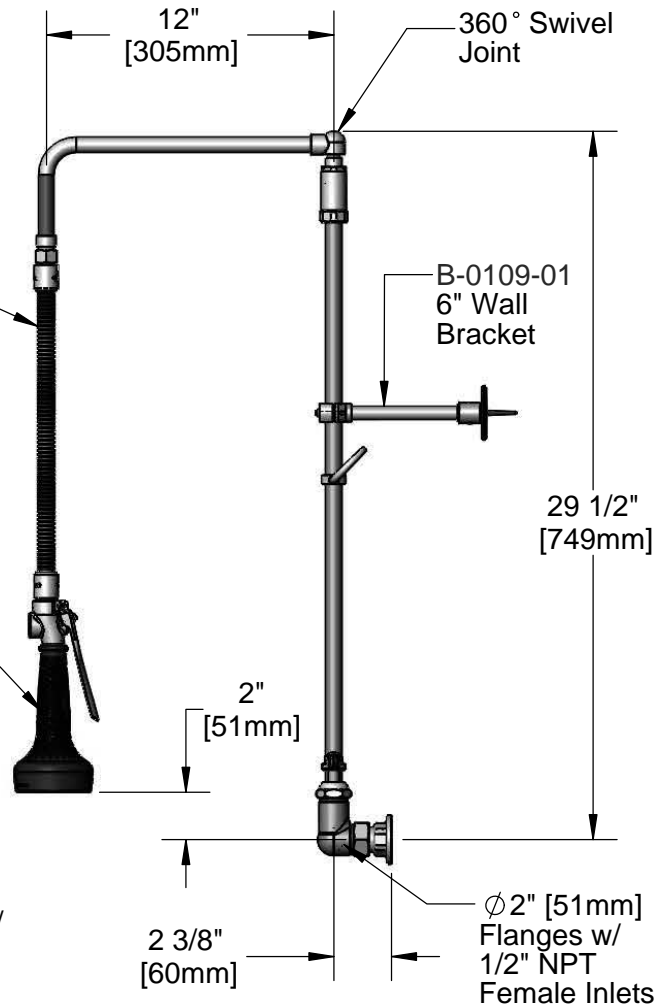
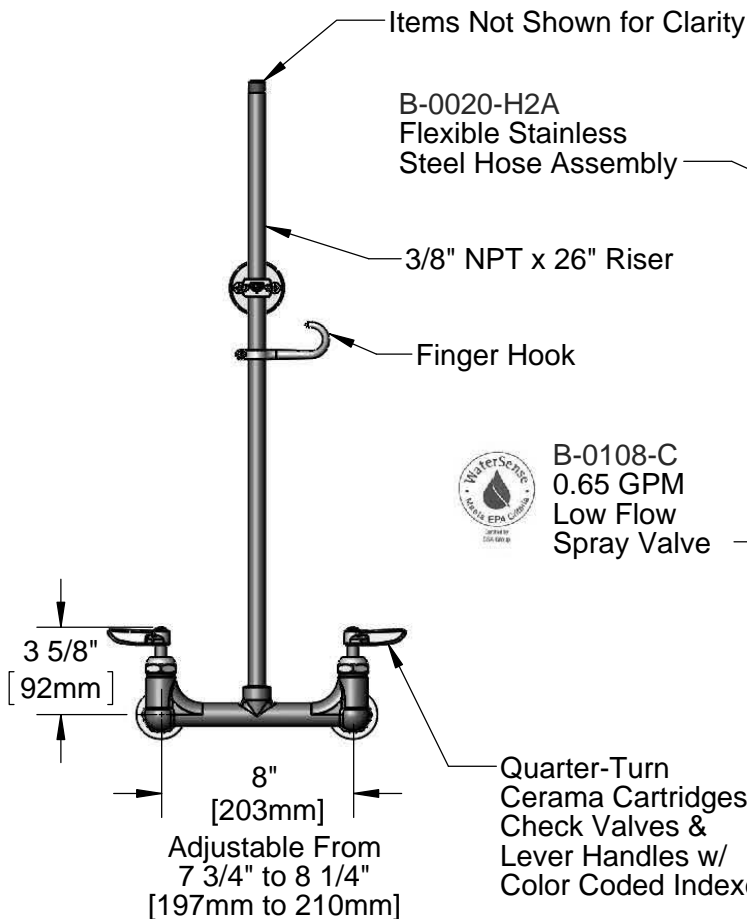
Job Name _____ Date _____

Model Specified _____ Quantity _____

Customer/Wholesaler _____

Contractor _____

Architect/Engineer _____



Product Specifications:

Pre-Rinse Unit w/ Lever Handles, 1/2" NPT Female Inlets, Cerama Cartridges, 26" Riser, 20" Flexible Stainless Steel Hose, Overhead Swivel Assembly, 0.65 GPM Low Flow Spray Valve & 6" Wall Bracket

Product Compliance:

ASME A112.18.1 / CSA B125.1
NSF 61 - Section 9
NSF 372 (Low Lead Content)
EPA Act 2005 (PRSV)
EPA WaterSense (PRSV)



T&S BRASS AND BRONZE WORKS, INC.

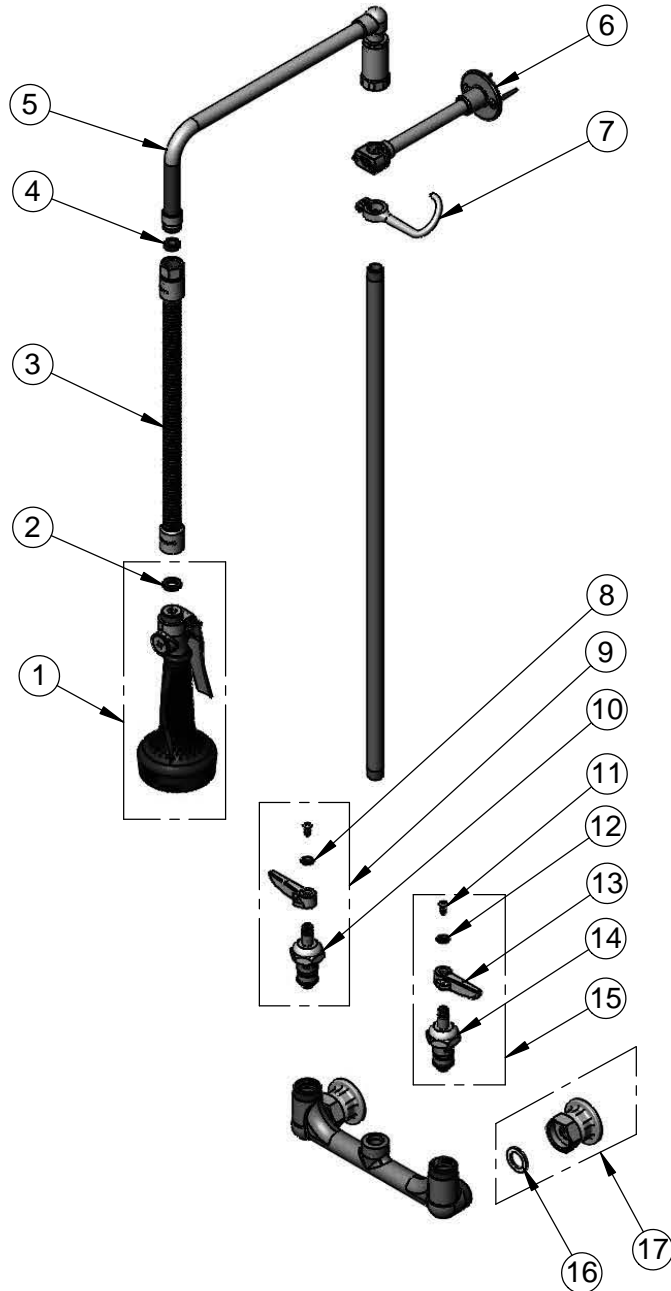
2 Saddleback Cove / P.O. Box 1088
Travelers Rest, SC 29690

Model No.

B-0131-CR-B08C

Item No.

Travelers Rest, SC: 800-476-4103 • Simi Valley, CA: 800-423-0150 • Fax: 864-834-3518 • www.tsbrass.com



ITEM NO.	SALES NO.	DESCRIPTION
1	B-0108-C	Spray Valve Assembly
2	001014-45	Washer, B-0100 Hose Barrel
3	B-0020-H2A	20" Flexible Stainless Steel Hose, Less Handle
4	010476-45	#27 Washer
5	002882-40	L-Tube Assembly, 12"
6	B-0109-01	6" Wall Bracket
7	004R	Finger Hook
8	001661-45	Red Index-HW
9	012394-25	Quarter-Turn Cerama Cartridge, RTC w/ Check Valve
10	011278-25	Quarter-Turn Cerama Cartridge, RTC w/ Check Valve, Handle, Index & Screw
11	000922-45	Lever Handle Screw
12	001660-45	Blue Index-CW
13	001638-45	Lever Handle
14	012395-25	Quarter-Turn Cerama Cartridge, LTC w/ Check Valve
15	011279-25	Quarter-Turn Cerama Cartridge, LTC w/ Check Valve, Handle, Index & Screw
16	001019-45	Coupling Nut Washer
17	00AA	1/2' NPT Flange Eccentric Flange

Product Specifications:

Pre-Rinse Unit w/ Lever Handles, 1/2" NPT Female Inlets, Cerama Cartridges, 26" Riser, 20" Flexible Stainless Steel Hose, Overhead Swivel Assembly, 0.65 GPM Low Flow Spray Valve & 6" Wall Bracket

Product Compliance:

ASME A112.18.1 / CSA B125.1
NSF 61 - Section 9
NSF 372 (Low Lead Content)
EPA Act 2005 (PRSV)
EPA WaterSense (PRSV)