



T&S BRASS AND BRONZE WORKS, INC.

2 Saddleback Cove / P.O. Box 1088
Travelers Rest, SC 29690

Model No.
B-0131-CR-BC28H

Item No.

Travelers Rest, SC: 800-476-4103 • Simi Valley, CA: 800-423-0150 • Fax: 864-834-3518 • www.tsbrass.com

This Space for Architect/Engineer Approval

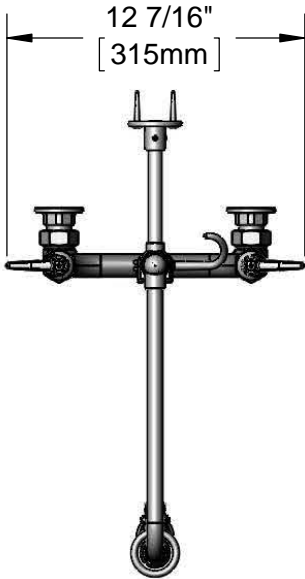
Job Name _____ Date _____

Model Specified _____ Quantity _____

Customer/Wholesaler _____

Contractor _____

Architect/Engineer _____



Items Not Shown For Clarity

3/8" NPT x 26" Riser

Finger Hook

B-0028-H Flexible Stainless Steel Hose Assembly

Quarter-Turn Cerama Cartridges w/ Check Valves & Lever Handles w/ Color Coded Indexes

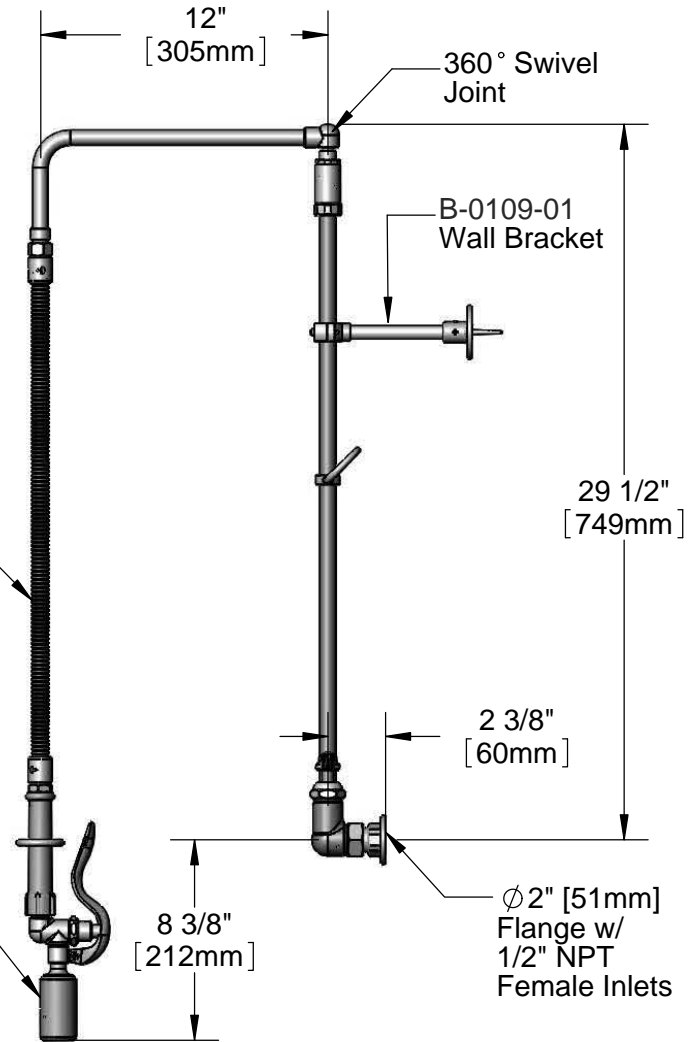
B-0107-C 0.65 GPM Low Flow Spray Valve



3 5/8" [92mm]

8" [203mm]

Adjustable from 7 3/4" to 8 1/4" [197mm to 210mm]



Product Specifications:

Pre-Rinse Unit w/ Cerama Cartridges, Check Valves, Lever Handles, 26" Riser, Stainless Steel Flexible Hose, 0.65 GPM Low Flow Spray Valve, 1/2" NPT Female Inlets & 6" Wall Bracket

Product Compliance:

ASME A112.18.1 / CSA B125.1
NSF 61 - Section 9
NSF 372 (Low Lead Content)
EPA Act 2005 (PRSV)
EPA WaterSense (PRSV)



T&S BRASS AND BRONZE WORKS, INC.

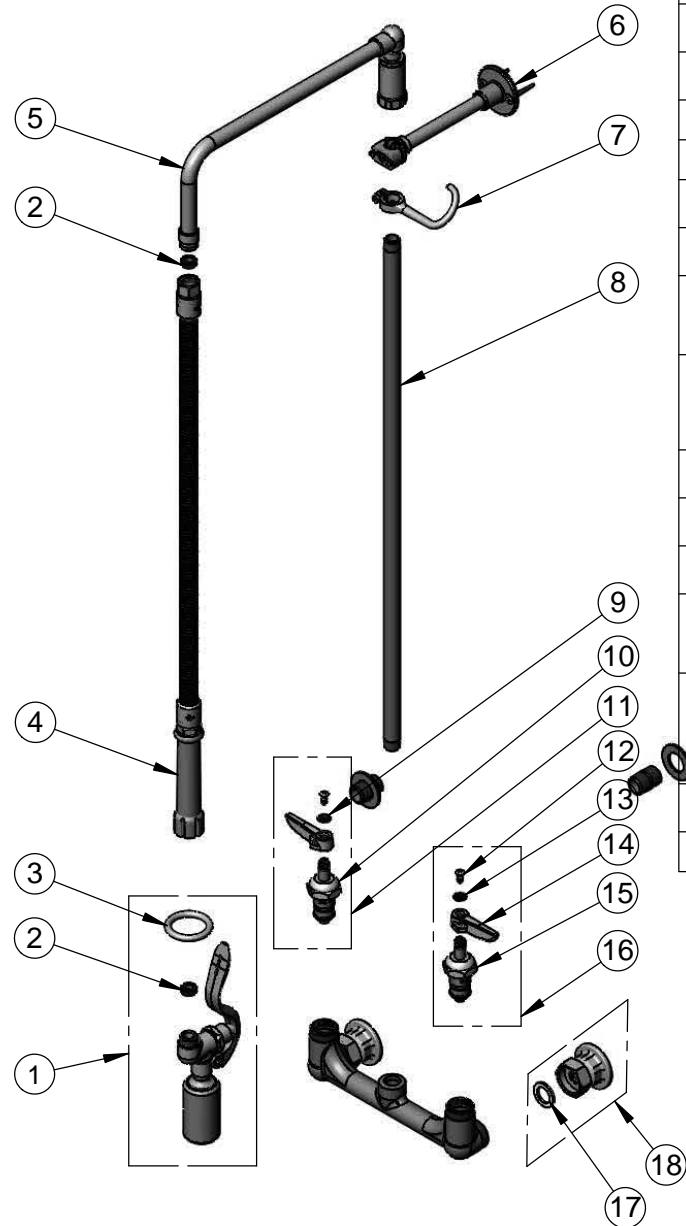
2 Saddleback Cove / P.O. Box 1088
Travelers Rest, SC 29690

Model No.

B-0131-CR-BC28H

Item No.

Travelers Rest, SC: 800-476-4103 • Simi Valley, CA: 800-423-0150 • Fax: 864-834-3518 • www.tsbrass.com



ITEM NO.	SALES NO.	DESCRIPTION
1	B-0107-C	0.65 GPM Low Flow Spray Valve
2	010476-45	#27 Washer
3	000907-45	Spray Valve Hold Down Ring
4	B-0028-H	28" Flexible Stainless Steel Hose
5	002882-40	L-Tube Assembly, 12"
6	B-0109-01	6" Wall Bracket
7	004R	Finger Hook
8	000373-40	3/8" NPT x 26" Riser
9	001661-45	Red Index-HW
10	012394-25	Quarter-Turn Cerama Cartridge, RTC w/ Check Valve
11	011311-25	Quarter-Turn Cerama Cartridge, RTC w/ Check Valve, Handle, Index & Screw
12	000922-45	Lever Handle Screw
13	001660-45	Blue Index-CW
14	001638-45	Lever Handle
15	012395-25	Quarter-Turn Cerama Cartridge, LTC w/ Check Valve
16	011312-25	Quarter-Turn Cerama Cartridge, LTC w/ Check Valve, Handle, Index & Screw
17	001019-45	Coupling Nut Washer
18	00AA	1/2" NPT Female Eccentric Flange

Product Specifications:
Pre-Rinse Unit w/ Cerama Cartridges, Check Valves, Lever Handles, 26" Riser, Stainless Steel Flexible Hose, 0.65 GPM Low Flow Spray Valve, 1/2" NPT Female Inlets & 6" Wall Bracket

Product Compliance:
ASME A112.18.1 / CSA B125.1
NSF 61 - Section 9
NSF 372 (Low Lead Content)
EPA Act 2005 (PRSV)
EPA WaterSense (PRSV)