



T&S BRASS AND BRONZE WORKS, INC.

2 Saddleback Cove / P.O. Box 1088
Travelers Rest, SC 29690

Model No.

B-0131-LN-CR-SC

Item No.

Travelers Rest, SC: 800-476-4103 • Simi Valley, CA: 800-423-0150 • Fax: 864-834-3518 • www.tsbrass.com



ADA Compliant

This Space for Architect/Engineer Approval

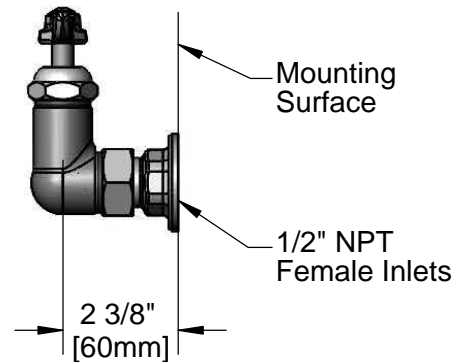
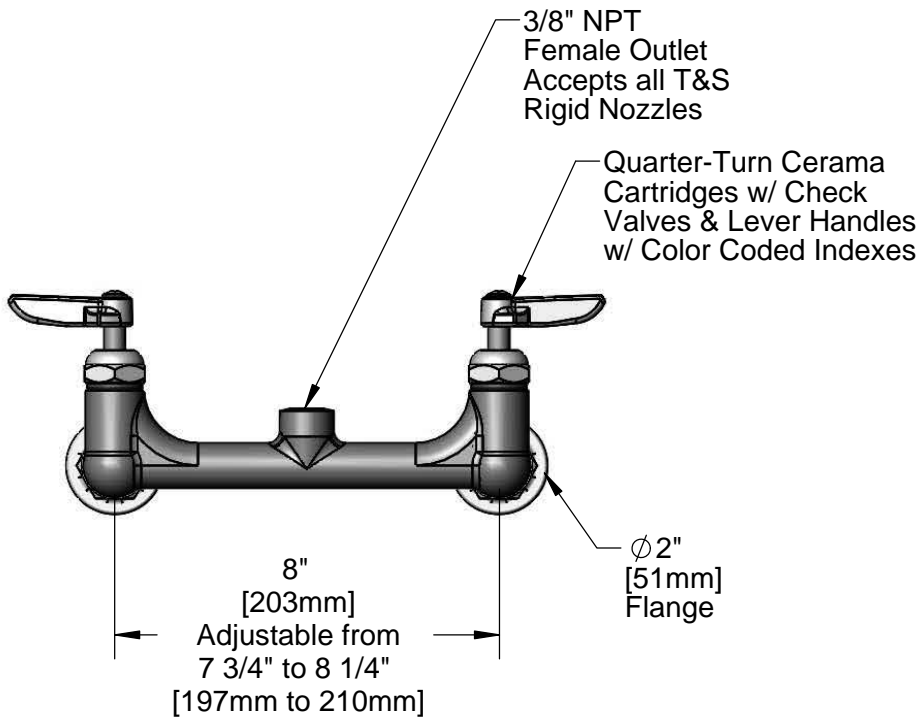
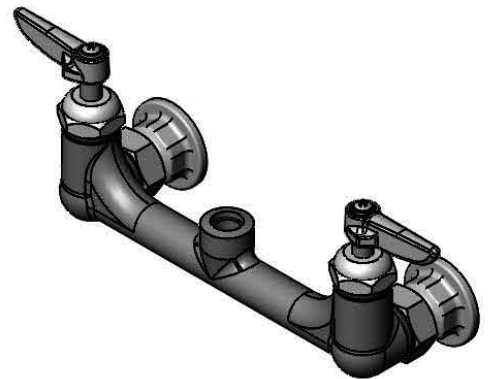
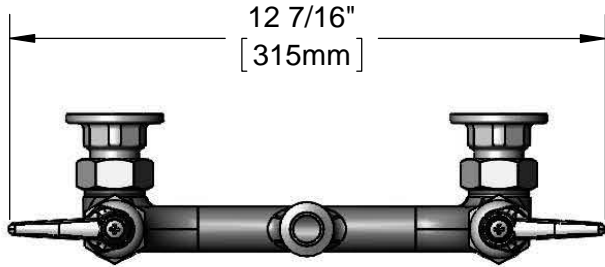
Job Name _____ Date _____

Model Specified _____ Quantity _____

Customer/Wholesaler _____

Contractor _____

Architect/Engineer _____



Product Specifications:
8" Wall Mount Mixing Faucet w/ Cerama Cartridges, Lever Handles & 1/2" NPT Female Inlets, Less Nozzle

Product Compliance:
ASME A112.18.1 / CSA B125.1
NSF 61 - Section 9
NSF 372 (Low Lead Content)
ANSI A117.1 (ADA)



T&S BRASS AND BRONZE WORKS, INC.

2 Saddleback Cove / P.O. Box 1088
Travelers Rest, SC 29690

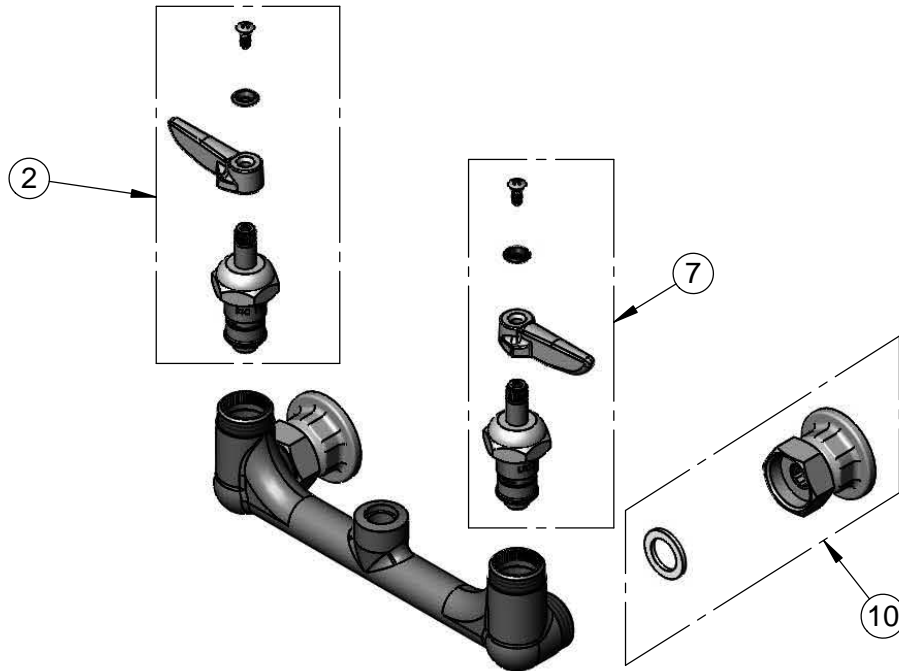
Model No.

B-0131-LN-CR-SC

Item No.

Travelers Rest, SC: 800-476-4103 • Simi Valley, CA: 800-423-0150 • Fax: 864-834-3518 • www.tsbrass.com

ITEM NO.	SALES NO.	DESCRIPTION
2	011311-25	Quarter-Turn Cerama Cartridge, RTC w/ Check Valve, Handle, Index & Screw
7	011312 -25	Quarter-Turn Cerama Cartridge, LTC w/ Check Valve, Handle, Index & Screw
4		Rigid Base Fct
5	001019-45	Coupling Nut Washer
6	001638-45	Lever Handle
7	000922-45	Lever Handle Screw
8	001660-45	Blue Index-CW
9	001661-45	Red Index-HW
10	00AA	1/2" NPT Flange Assembly
11		Label Tape "Mr Plumber"
12	012394-25	Cerama Cartridge, RTC w/ Check Valve
13	012395-25	Cerama Cartridge, LTC w/ Check Valve



Product Specifications:

8" Wall Mount Mixing Faucet w/ Cerama Cartridges, Lever Handles & 1/2" NPT Female Inlets, Less Nozzle

Product Compliance:

ASME A112.18.1 / CSA B125.1
NSF 61 - Section 9
NSF 372 (Low Lead Content)
ANSI A117.1 (ADA)