



T&S BRASS AND BRONZE WORKS, INC.

2 Saddleback Cove / P.O. Box 1088
Travelers Rest, SC 29690

Model No.

B-0133-12CRBJSK

Item No.

Travelers Rest, SC: 800-476-4103 • Simi Valley, CA: 800-423-0150 • Fax: 864-834-3518 • www.tsbrass.com

This Space for Architect/Engineer Approval

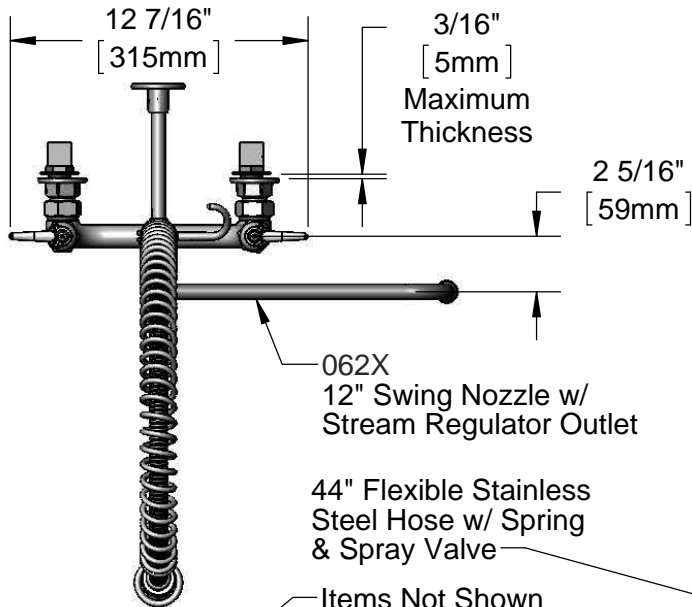
Job Name _____ Date _____

Model Specified _____ Quantity _____

Customer/Wholesaler _____

Contractor _____

Architect/Engineer _____



44" Flexible Stainless Steel Hose w/ Spring & Spray Valve

Items Not Shown For Clarity

3/8" NPT x 18" Riser

Finger Hook

B-0107-J
1.07 GPM
Spray Valve

018200-40
Pre-Rinse Swivel

B-0109-01
6" Wall Bracket

37 9/16"
[954mm]

EasyInstall Lock Nut & Bushing

12"
[305mm]

12 1/16"
[306mm]

3 9/16"
[91mm]

9 5/16"
[236mm]

6 1/16"
[154mm]

4 7/16"
[112mm]

EasyInstall Add-On Faucet w/ Quarter-Turn Cerama Cartridge & Lever Handle

8"
[203mm]
Adjustable From 7 3/4" to 8 1/4"
[197mm to 210mm]

Quarter-Turn Cerama Cartridges w/ Check Valves & Lever Handles w/ Color Coded Indexes

14 3/16"
[360mm]

2 3/8"
[61mm]

B-0230-K
Installation Kit w/ 1/2" NPT Male Inlets

Mounting Surface

Rough-In Requirement:
(2) ϕ 1" [25mm] Mounting Holes

Product Specifications:

Pre-Rinse Unit: EasyInstall 8" Wall Mount Mixing Faucet, Quarter-Turn Cerama Cartridges w/ Check Valves, Lever Handles, Add-On Faucet w/ 12" Swing Nozzle, 44" Flexible Stainless Steel Hose, 1.07 GPM Spray Valve w/ Swivel, 6" Wall Bracket & Installation Kit

Product Compliance:

ASME A112.18.1 / CSA B125.1
NSF 61 - Section 9
NSF 372 (Low Lead Content)
EPA Act 2005 (PRSV)
EPA WaterSense (PRSV)



T&S BRASS AND BRONZE WORKS, INC.

2 Saddleback Cove / P.O. Box 1088
Travelers Rest, SC 29690

Model No.

B-0133-12CRBJSK

Item No.

Travelers Rest, SC: 800-476-4103 • Simi Valley, CA: 800-423-0150 • Fax: 864-834-3518 • www.tsbrass.com

ITEM NO.	SALES NO.	DESCRIPTION
1	B-0107-J	1.07 GPM Spray Valve
2	010476-45	#27 Washer
3	000907-45	Spray Valve Hold Down Ring
4	002987-40	Grip Handle
5	001014-45	Washer, B-0100 Hose Barrel
6	018200-40	Pre-Rinse Swivel
7	B-0044-H2A	44" Flexible Stainless Steel Hose, Less Handle
8	000888-45	EasyInstall Overhead Spring
9	000821-40	Spring Body
10	B-0109-01	6" Wall Bracket
11	004R	Finger Hook
12	000369-40	3/8" NPT x 18" Riser
13	EZ-K	EasyInstall Kit: Nut, Bushing, O-ring & Lock Washer
14	001065-45	O-Ring
15	014200-45	Star Washer, Anti-Rotation
16	012447-25	Quarter-Turn Cerama Cartridge, LTC w/ Check Valve, Handle, Index & Screw
17	001660-45	Blue Index-CW
18	002954-45	Shank Lock Nut
19	B-0230-K	Short Elbow Installation Kit
20	000999-45	Brass Lock Washer
21	00AA	1/2" NPT Female Eccentric Flange
22	001019-45	Coupling Nut Washer
23	012395-25	Quarter-Turn Cerama Cartridge, LTC w/ Check Valve
24	012394-25	Quarter-Turn Cerama Cartridge, RTC w/ Check Valve
25	012446-25	Quarter-Turn Cerama Cartridge, RTC w/ Check Valve, Handle, Index & Screw
26	001638-45	Lever Handle
27	001661-45	Red Index-HW
28	000922-45	Lever Handle Screw
29	B-0155-CR-LN	Add-On Faucet w/ Quarter-Turn Cerama Cartridge, RTC & Lever Handle (Less Nozzle)
30	011278-25	Quarter-Turn Cerama Cartridge, RTC
31	B-PT	Stream Regulator Outlet
32	001048-45	Nozzle Tip Washer
33	062X	12" Swing Nozzle

Product Specifications:
Pre-Rinse Unit: EasyInstall 8" Wall Mount Mixing Faucet, Quarter-Turn Cerama Cartridges w/ Check Valves, Lever Handles, Add-On Faucet w/ 12" Swing Nozzle, 44" Flexible Stainless Steel Hose, 1.07 GPM Spray Valve w/ Swivel, 6" Wall Bracket & Installation Kit

Product Compliance:
ASME A112.18.1 / CSA B125.1
NSF 61 - Section 9
NSF 372 (Low Lead Content)
EPA Act 2005 (PRSV)
EPA WaterSense (PRSV)