



T&S BRASS AND BRONZE WORKS, INC.

2 Saddleback Cove / P.O. Box 1088
Travelers Rest, SC 29690

Model No.

B-0133-14CRB8ST

Item No.

Travelers Rest, SC: 800-476-4103 • Simi Valley, CA: 800-423-0150 • Fax: 864-834-3518 • www.tsbrass.com

This Space for Architect/Engineer Approval

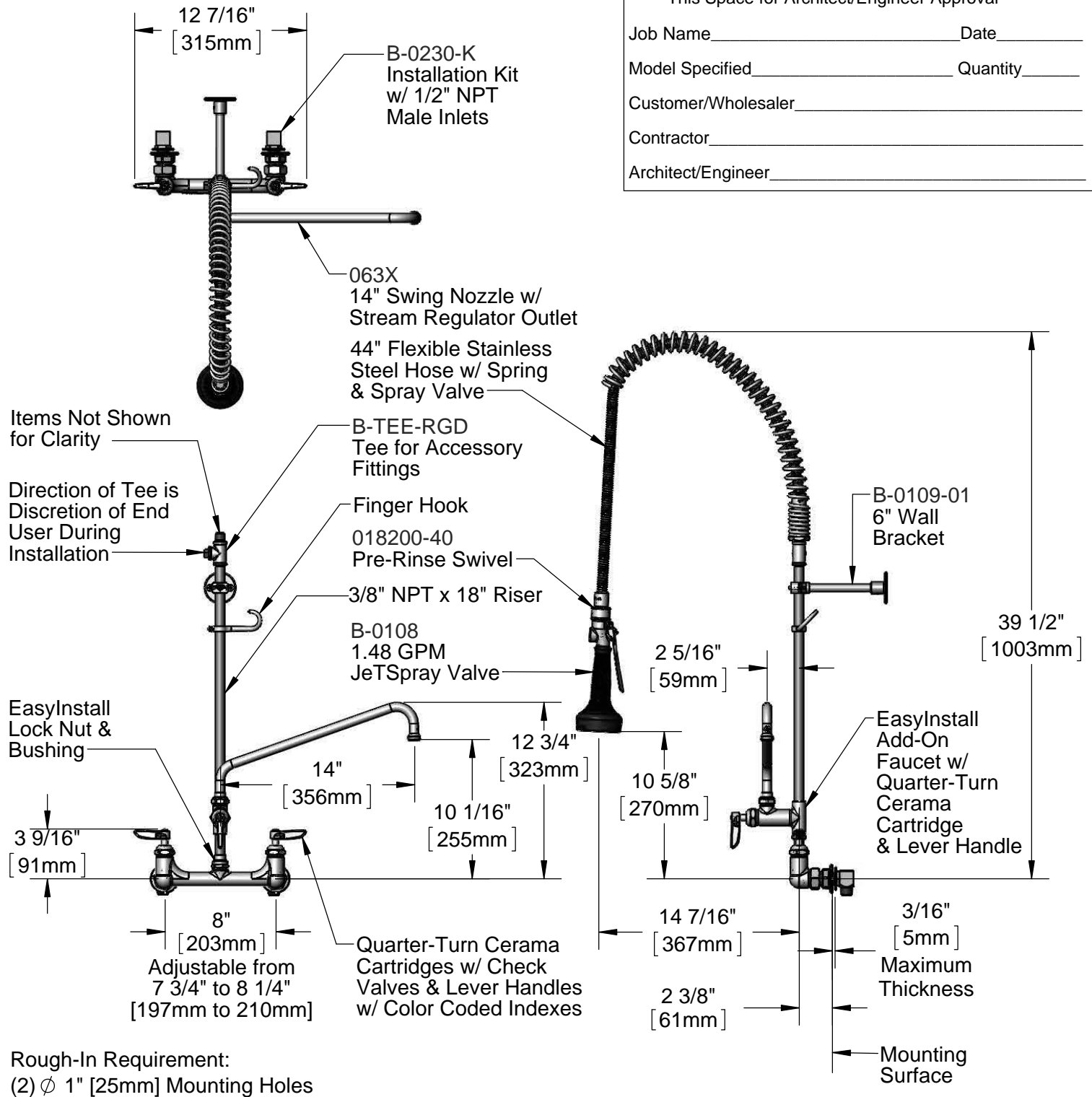
Job Name _____ Date _____

Model Specified _____ Quantity _____

Customer/Wholesaler _____

Contractor _____

Architect/Engineer _____



Product Specifications:

Pre-Rinse Unit: EasyInstall 8" Wall Mount Mixing Faucet, Quarter-Turn Cerama Cartridges w/ Check Valves, Lever Handles, Add-On Faucet w/ 14" Swing Nozzle, 44" Flexible Stainless Steel Hose, 1.48 GPM JeTSpray Valve, Pre-Rinse Swivel, Rigid Tee for Accessory Fittings, 6" Wall Bracket & Installation Kit

Product Compliance:

ASME A112.18.1 / CSA B125.1
NSF 61 - Section 9
NSF 372 (Low Lead Content)
EPA Act 2005 (PRSV)



T&S BRASS AND BRONZE WORKS, INC.

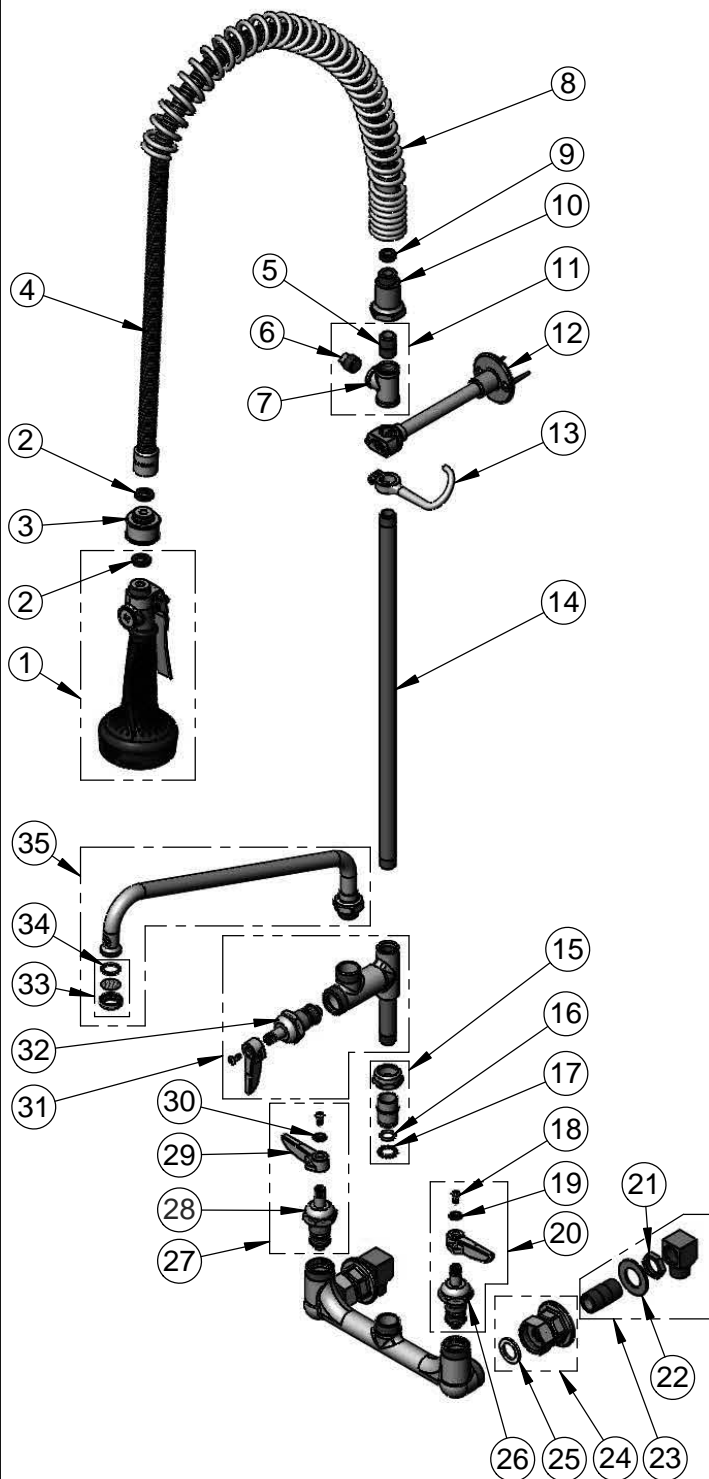
2 Saddleback Cove / P.O. Box 1088
Travelers Rest, SC 29690

Model No.

B-0133-14CRB8ST

Item No.

Travelers Rest, SC: 800-476-4103 • Simi Valley, CA: 800-423-0150 • Fax: 864-834-3518 • www.tsbrass.com



ITEM NO.	SALES NO.	DESCRIPTION
1	B-0108	1.48 GPM Spray Valve w/ Ergo-Grip
2	001014-45	Washer, B-0100 Hose Barrel
3	018200-40	Pre-Rinse Swivel w/ 2 Washers
4	B-0044-H2A	44" Flexible Stainless Steel Hose, Less Handle
5	002535-25	3/8" Close Nipple
6	002369-25	3/8" NPT Plug
7	001614-40	3/8" NPT Tee
8	000888-45	EasyInstall Overhead Spring
9	010476-45	#27 Washer
10	000821-40	Spring Body
11	B-TEE-RGD	Rigid Tee
12	B-0109-01	6" Wall Bracket
13	004R	Finger Hook
14	000369-40	3/8" NPT x 18" Riser
15	EZ-K	EasyInstall Kit: Nut, Bushing, O-ring & Lock Washer
16	001065-45	O-Ring
17	014200-45	Star Washer, Anti-Rotation
18	000922-45	Lever Handle Screw
19	001660-45	Blue Index-CW
20	012447-25	Quarter-Turn Cerama Cartridge, LTC w/ Check Valve, Handle, Index & Screw
21	002954-45	Shank Lock Nut
22	000999-45	Brass Lock Washer
23	B-0230-K	Short Elbow Installation Kit
24	00AA	1/2" NPT Female Eccentric Flange
25	001019-45	Coupling Nut Washer
26	012395-25	Quarter-Turn Cerama Cartridge, LTC w/ Bonnet & Check Valve
27	012446-25	Quarter-Turn Cerama Cartridge, RTC w/ Check Valve, Handle, Index & Screw
28	012394-25	Quarter-Turn Cerama Cartridge, RTC w/ Bonnet & Check Valve
29	001638-45	Lever Handle
30	001661-45	Red Index-HW
31	B-0155-CR-LN	Add-On Faucet w/ Quarter-Turn Cerama Cartridge, RTC & Lever Handle, Less Nozzle
32	011278-25	Quarter-Turn Cerama Cartridge, RTC
33	B-PT	Stream Regulator Outlet
34	001048-45	Nozzle Tip Washer
35	063X	14" Swing Nozzle

Product Specifications:

Pre-Rinse Unit: EasyInstall 8" Wall Mount Mixing Faucet, Quarter-Turn Cerama Cartridges w/ Check Valves, Lever Handles, Add-On Faucet w/ 14" Swing Nozzle, 44" Flexible Stainless Steel Hose, 1.48 GPM JeTSpray Valve, Pre-Rinse Swivel, Rigid Tee for Accessory Fittings, 6" Wall Bracket & Installation Kit

Product Compliance:

ASME A112.18.1 / CSA B125.1
NSF 61 - Section 9
NSF 372 (Low Lead Content)
EPA Act 2005 (PRSV)