



T&S BRASS AND BRONZE WORKS, INC.
 2 Saddleback Cove / P.O. Box 1088
 Travelers Rest, SC 29690

Model No.
B-0133-A-08 SERIES

Item No.

Travelers Rest, SC: 800-476-4103 • Simi Valley, CA: 800-423-0150 • Fax: 864-834-3518 • www.tsbrass.com

This Space for Architect/Engineer Approval

Job Name _____ Date _____

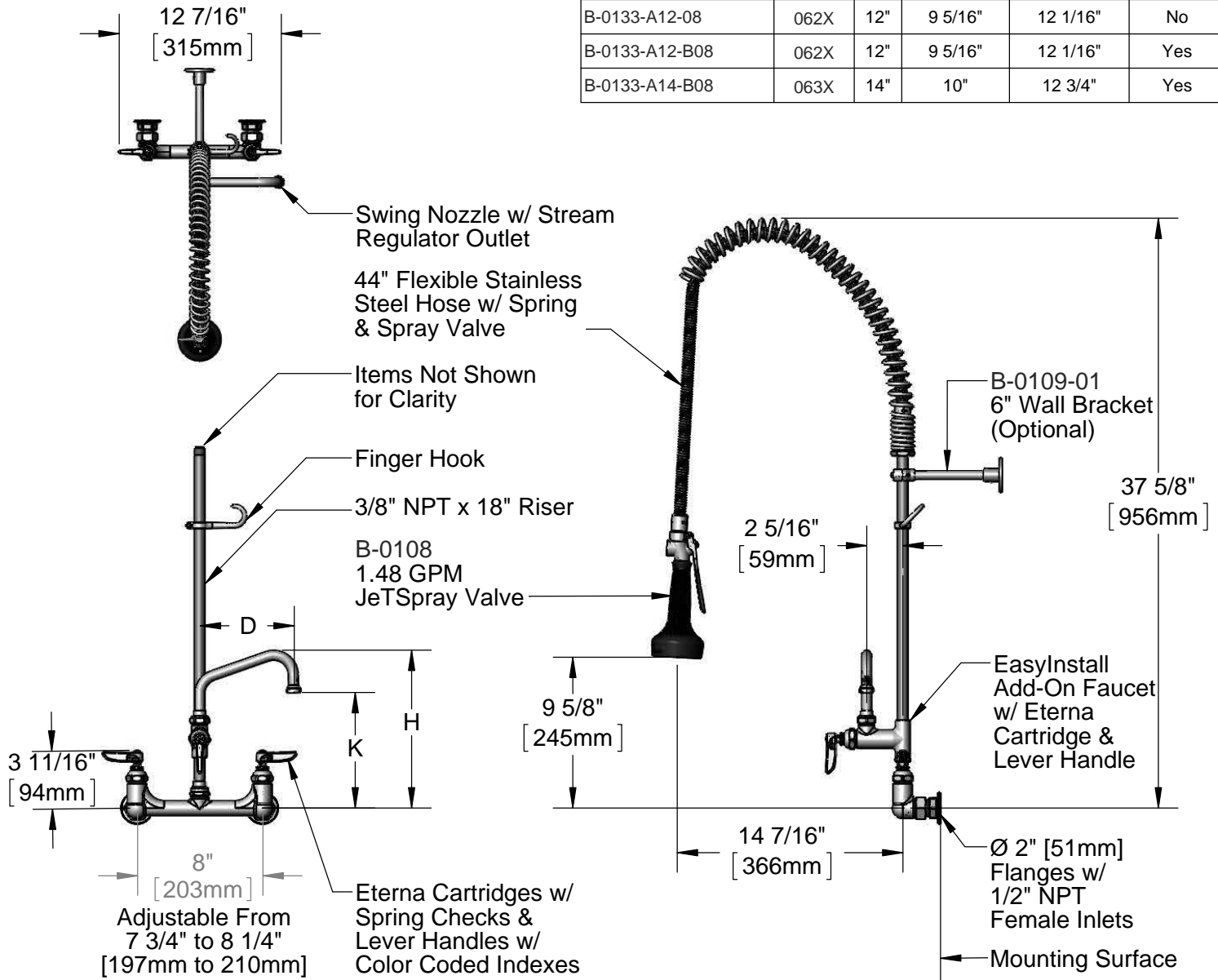
Model Specified _____ Quantity _____

Customer/Wholesaler _____

Contractor _____

Architect/Engineer _____

Model	Swing Nozzle	D	K	H	6" Wall Bracket
B-0133-A06-08	059X	6"	7 3/8"	10 1/16"	No
B-0133-A06-B08	059X	6"	7 3/8"	10 1/16"	Yes
B-0133-A08-08	060X	8"	7 15/16"	10 11/16"	No
B-0133-A08-B08	060X	8"	7 15/16"	10 11/16"	Yes
B-0133-A10-08	061X	10"	8 5/8"	11 3/8"	No
B-0133-A10-B08	061X	10"	8 5/8"	11 3/8"	Yes
B-0133-A12-08	062X	12"	9 5/16"	12 1/16"	No
B-0133-A12-B08	062X	12"	9 5/16"	12 1/16"	Yes
B-0133-A14-B08	063X	14"	10"	12 3/4"	Yes



Product Specifications:
 Pre-Rinse Unit: EasyInstall 8" Wall Mount Mixing Faucet, Eterna Cartridges w/ Spring Checks, Lever Handles, 44" Flexible Stainless Steel Hose, 1.48 GPM Spray Valve, 18" Riser, 6" Wall Bracket (Optional) & 1/2" NPT Female Inlets

Product Compliance:
 ASME A112.18.1 / CSA B125.1
 NSF 61 - Section 9
 NSF 372 (Low Lead Content)
 EPA Act 2005 (PRSV)



T&S BRASS AND BRONZE WORKS, INC.

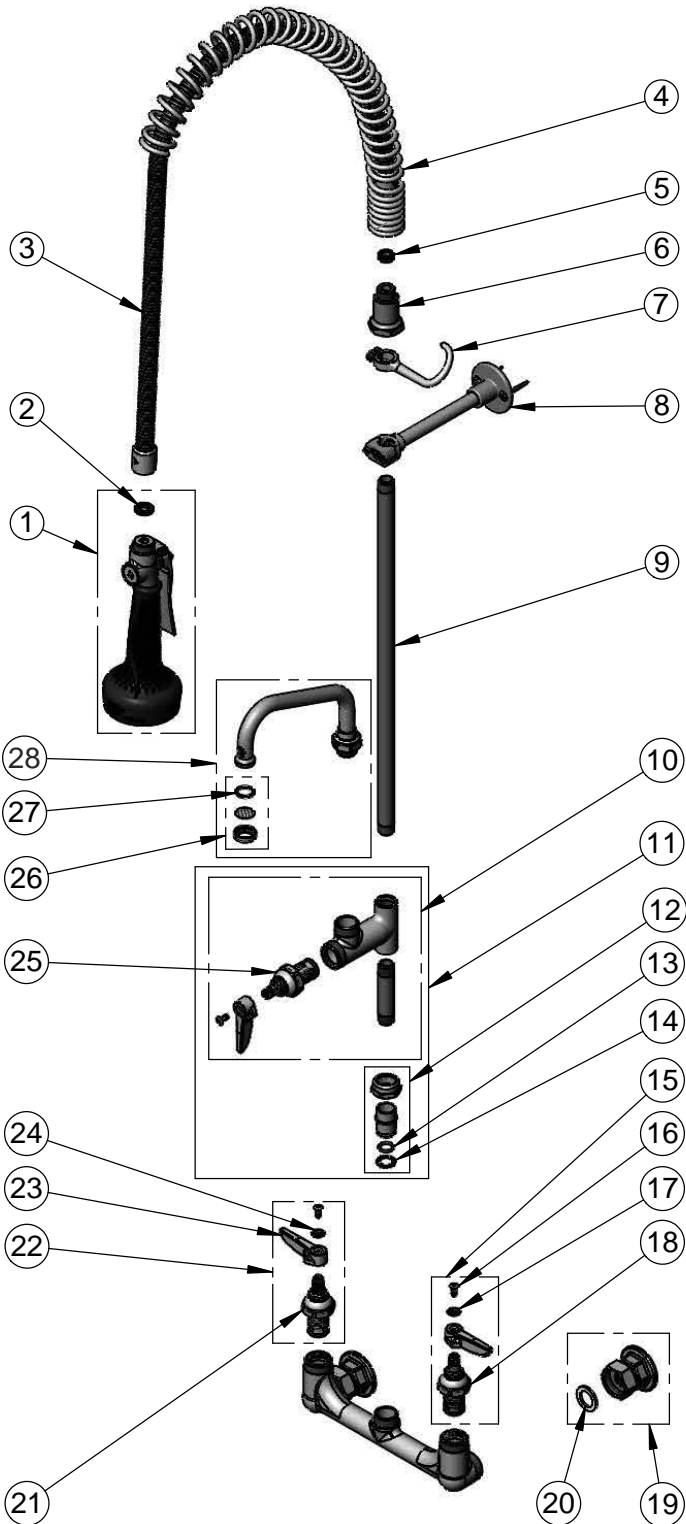
2 Saddleback Cove / P.O. Box 1088
Travelers Rest, SC 29690

Model No.

B-0133-A-08 SERIES

Item No.

Travelers Rest, SC: 800-476-4103 • Simi Valley, CA: 800-423-0150 • Fax: 864-834-3518 • www.tsbrass.com



ITEM NO.	SALES NO.	DESCRIPTION
1	B-0108	1.48 GPM Spray Valve w/ Ergo-Grip
2	001014-45	Washer, B-0100 Hose Barrel
3	B-0044-H2A	44" Flexible Stainless Steel Hose, Less Handle
4	000888-45	EasyInstall Overhead Spring
5	010476-45	#27 Washer
6	000821-40	Spring Body
7	004R	Finger Hook
8	B-0109-01	6" Wall Bracket
9	000369-40	3/8" NPT x 18" Riser
10	B-0155-LN	Add-On Faucet w/ Quarter-Turn Eterna Cartridge, RTC & Lever Handle, Less Nozzle
11	B-0155-LNEZ	EasyInstall Add-On Faucet w/ Quarter-Turn Eterna Cartridge, RTC & Lever Handle, Less Nozzle
12	EZ-K	EasyInstall Kit: Nut, Bushing, O-Ring & Lock Washer
13	001065-45	O-Ring
14	014200-45	Star Washer, Anti-Rotation
15	002711-40	Eterna Cartridge, LTC w/ Spring Check, Handle, Index & Screw
16	000922-45	Lever Handle Screw
17	001660-45	Blue Index-CW
18	012442-40	Eterna Cartridge, LTC w/ Spring Check
19	00AA	1/2" NPT Female Eccentric Flange
20	001019-45	Coupling Nut Washer
21	012443-40	Eterna Cartridge, RTC w/ Spring Check
22	002712-40	Eterna Cartridge, RTC w/ Spring Check, Handle, Index & Screw
23	001638-45	Lever Handle
24	001661-45	Red Index-HW
25	005960-40QT	Quarter-Turn Eterna Cartridge, RTC
26	B-PT	Stream Regulator Outlet
27	001048-45	Nozzle Tip Washer
28	See Chart	Swing Nozzle

Product Specifications:

Pre-Rinse Unit: EasyInstall 8" Wall Mount Mixing Faucet, Eterna Cartridges w/ Spring Checks, Lever Handles, 44" Flexible Stainless Steel Hose, 1.48 GPM Spray Valve, 18" Riser, 6" Wall Bracket (Optional) & 1/2" NPT Female Inlets

Product Compliance:

ASME A112.18.1 / CSA B125.1
NSF 61 - Section 9
NSF 372 (Low Lead Content)
EPA Act 2005 (PRSV)