



T&S BRASS AND BRONZE WORKS, INC.

2 Saddleback Cove / P.O. Box 1088
Travelers Rest, SC 29690

Model No.

B-0133-A12-CCB

Item No.

Travelers Rest, SC: 800-476-4103 • Simi Valley, CA: 800-423-0150 • Fax: 864-834-3518 • www.tsbrass.com

This Space for Architect/Engineer Approval

Job Name _____ Date _____

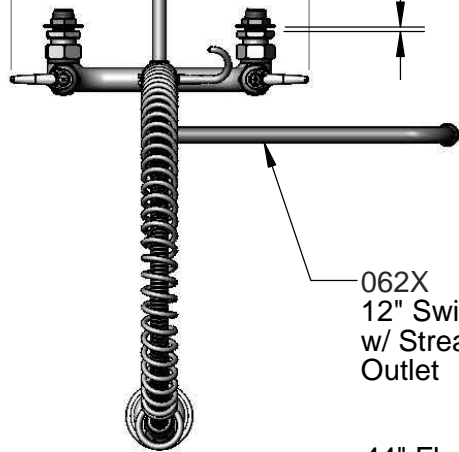
Model Specified _____ Quantity _____

Customer/Wholesaler _____

Contractor _____

Architect/Engineer _____

12 7/16" [315mm]
3/16" [5mm]
Maximum Thickness



062X
12" Swing Nozzle
w/ Stream Regulator
Outlet

44" Flexible Stainless
Steel Hose w/ Spring
& Spray Valve

Items Not
Shown
For Clarity

Finger Hook

B-0107
1.42 GPM
Spray Valve

3/8" NPT x
18" Riser

12" [305mm]

EasyInstall
Lock Nut
& Bushing

12 1/16" [306mm]

3 11/16" [94mm]

9 5/16" [236mm]

8" [203mm]

4 7/16" [112mm]

2 5/16" [59mm]
EasyInstall
Add-On
Faucet
w/ Eterna
Cartridge
& Lever
Handle

37 9/16" [954mm]

8" [203mm]

Eterna Cartridges
w/ Spring Check &
Lever Handles
w/ Color Coded
Indexes

14 1/16" [357mm]

2" [51mm]

1/2" NPT
"CC" Male
Inlets

Mounting
Surface

Product Specifications:

Pre-Rinse Unit: EasyInstall 8" Wall Mount Mixing Faucet, Eterna Cartridges w/ Spring Checks, Lever Handles, Add-On Faucet, 12" Swing Nozzle, 44" Flexible Stainless Steel Hose, 1.42 GPM Spray Valve & 1/2" NPT "CC" Male Inlets

Product Compliance:

ASME A112.18.1 / CSA B125.1
NSF 61 - Section 9
NSF 372 (Low Lead Content)
EPA Act 2005 (PRSV)



T&S BRASS AND BRONZE WORKS, INC.

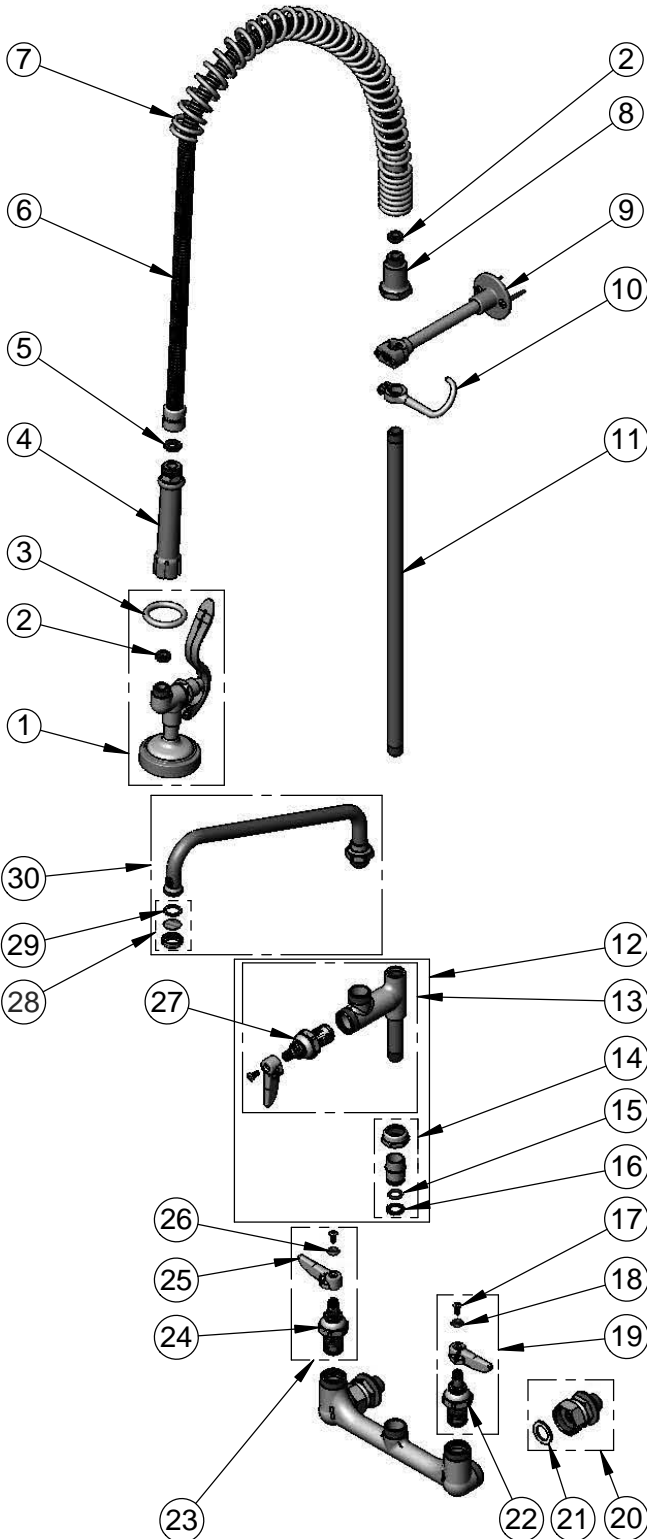
2 Saddleback Cove / P.O. Box 1088
Travelers Rest, SC 29690

Model No.

B-0133-A12-CCB

Item No.

Travelers Rest, SC: 800-476-4103 • Simi Valley, CA: 800-423-0150 • Fax: 864-834-3518 • www.tsbrass.com



ITEM NO.	SALES NO.	DESCRIPTION
1	B-0107	1.42 GPM Spray Valve
2	010476-45	#27 Washer
3	000907-45	Spray Valve Hold Down Ring
4	002987-40	Grip Handle
5	001014-45	Washer, B-0100 Hose Barrel
6	B-0044-H2A	44" Flexible Stainless Steel Hose, Less Handle
7	000888-45	EasyInstall Overhead Spring
8	000821-40	Spring Body
9	B-0109-01	6" Wall Bracket
10	004R	Finger Hook
11	000369-40	3/8" NPT x 18" Riser
12	B-0155-LNEZ	EasyInstall Add-On Faucet w/ Quarter-Turn Eterna Cartridge, RTC & Lever Handle, Less Nozzle
13	B-0155-LN	Add-On Faucet w/ Quarter-Turn Eterna Cartridge, RTC & Lever Handle, Less Nozzle
14	EZ-K	EasyInstall Kit: Nut, Bushing, O-ring & Lock Washer
15	001065-45	O-Ring
16	014200-45	Star Washer, Anti-Rotation
17	000922-45	Lever Handle Screw
18	001660-45	Blue Index-CW
19	002711-40	Eterna Cartridge, LTC w/ Spring Check, Handle, Index & Screw
20	00CC	1/2" NPT Male Inlet Flange
21	001019-45	Coupling Nut Washer
22	012442-40	Eterna Cartridge, LTC w/ Spring Check
23	002712-40	Eterna Cartridge, RTC w/ Spring Check, Handle, Index & Screw
24	012443-40	Eterna Cartridge, RTC w/ Spring Check
25	001638-45	Lever Handle
26	001661-45	Red Index-HW
27	005960-40QT	Quarter-Turn Eterna Cartridge, RTC
28	B-PT	Stream Regulator Outlet
29	001048-45	Nozzle Tip Washer
30	062X	12" Swing Nozzle

Product Specifications:

Pre-Rinse Unit: EasyInstall 8" Wall Mount Mixing Faucet, Eterna Cartridges w/ Spring Checks, Lever Handles, Add-On Faucet, 12" Swing Nozzle, 44" Flexible Stainless Steel Hose, 1.42 GPM Spray Valve & 1/2" NPT "CC" Male Inlets

Product Compliance:

ASME A112.18.1 / CSA B125.1
NSF 61 - Section 9
NSF 372 (Low Lead Content)
EPA Act 2005 (PRSV)