



# T&S BRASS AND BRONZE WORKS, INC.

2 Saddleback Cove / P.O. Box 1088  
Travelers Rest, SC 29690

Model No.

**B-0133-A12B-TEE**

Item No.

Travelers Rest, SC: 800-476-4103 • Simi Valley, CA: 800-423-0150 • Fax: 864-834-3518 • www.tsbrass.com

This Space for Architect/Engineer Approval

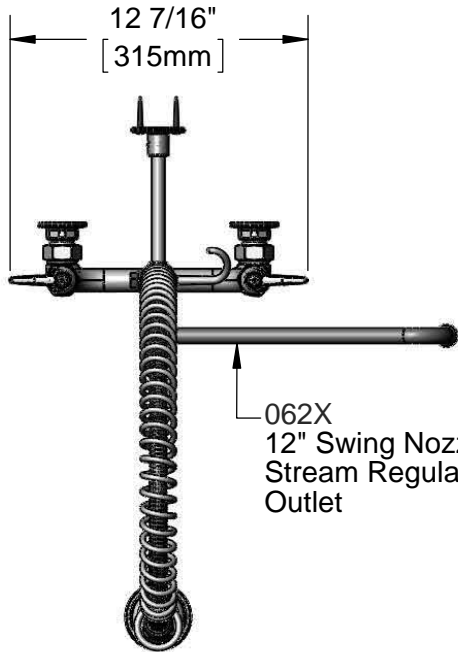
Job Name \_\_\_\_\_ Date \_\_\_\_\_

Model Specified \_\_\_\_\_ Quantity \_\_\_\_\_

Customer/Wholesaler \_\_\_\_\_

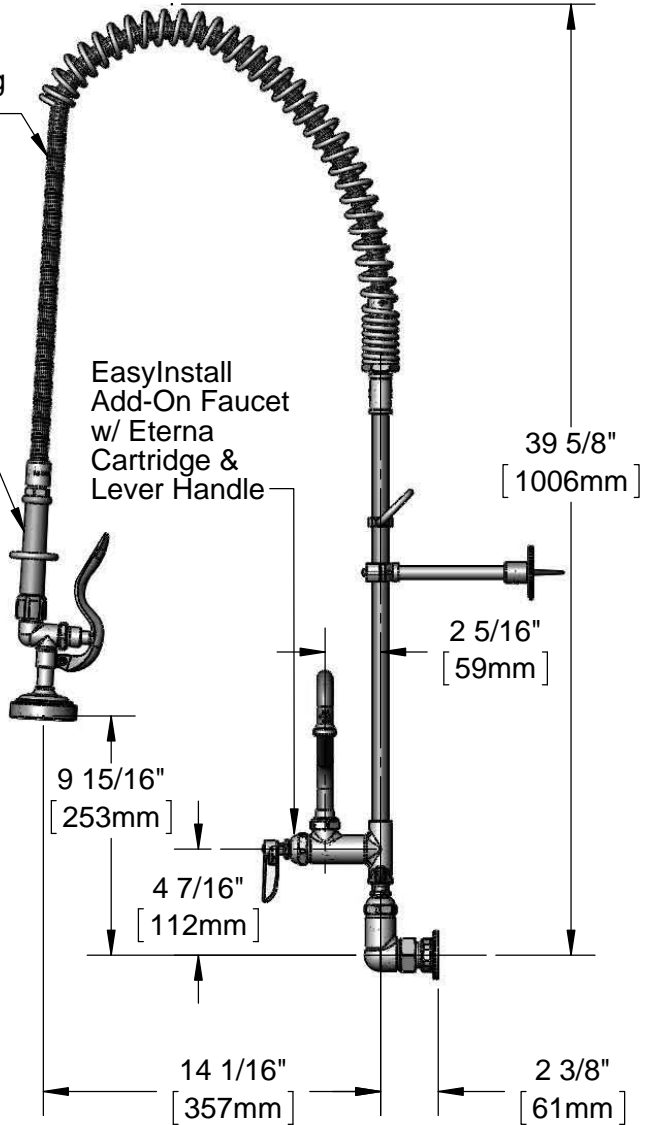
Contractor \_\_\_\_\_

Architect/Engineer \_\_\_\_\_



062X  
12" Swing Nozzle w/  
Stream Regulator  
Outlet

44" Flexible  
Stainless Steel  
Hose w/ Spring  
& Spray Valve



EasyInstall  
Add-On Faucet  
w/ Eterna  
Cartridge &  
Lever Handle

B-0107  
1.42 GPM  
Spray Valve

Items Not Shown  
For Clarity

Finger Hook

B-0109-01  
6" Wall Bracket

3/8" NPT x 18" Riser  
12"  
[305mm]

EasyInstall  
Lock Nut  
& Bushing

3 11/16"  
[94mm]

12 1/16"

9 1/8" [306mm]

39 5/8"  
[1006mm]

2 5/16"  
[59mm]

9 15/16"  
[253mm]

4 7/16"  
[112mm]

14 1/16"  
[357mm]

2 3/8"  
[61mm]

8" [203mm]  
Adjustable from  
7 3/4" to 8 1/4"  
[197mm to 210mm]

Eterna Cartridges w/  
Spring Checks &  
Lever Handles w/  
Color Coded Indexes

Ø 2" [51mm] Flanges w/  
1/2" NPT Female Inlets

**Product Specifications:**

Pre-Rinse Unit: EasyInstall 8" Wall Mount Faucet, Accessory Fitting Tee, Eterna Cartridges w/ Spring Checks, Lever Handles, Add-on Faucet, 12" Swing Nozzle, 44" Flexible Stainless Steel Hose, 1.42 GPM Spray Valve, 6" Wall Bracket & 1/2" NPT Female Inlets

**Product Compliance:**

ASME A112.18.1 / CSA B125.1  
NSF 61 - Section 9  
NSF 372 (Low Lead Content)  
EPA Act 2005 (PRSV)



# T&S BRASS AND BRONZE WORKS, INC.

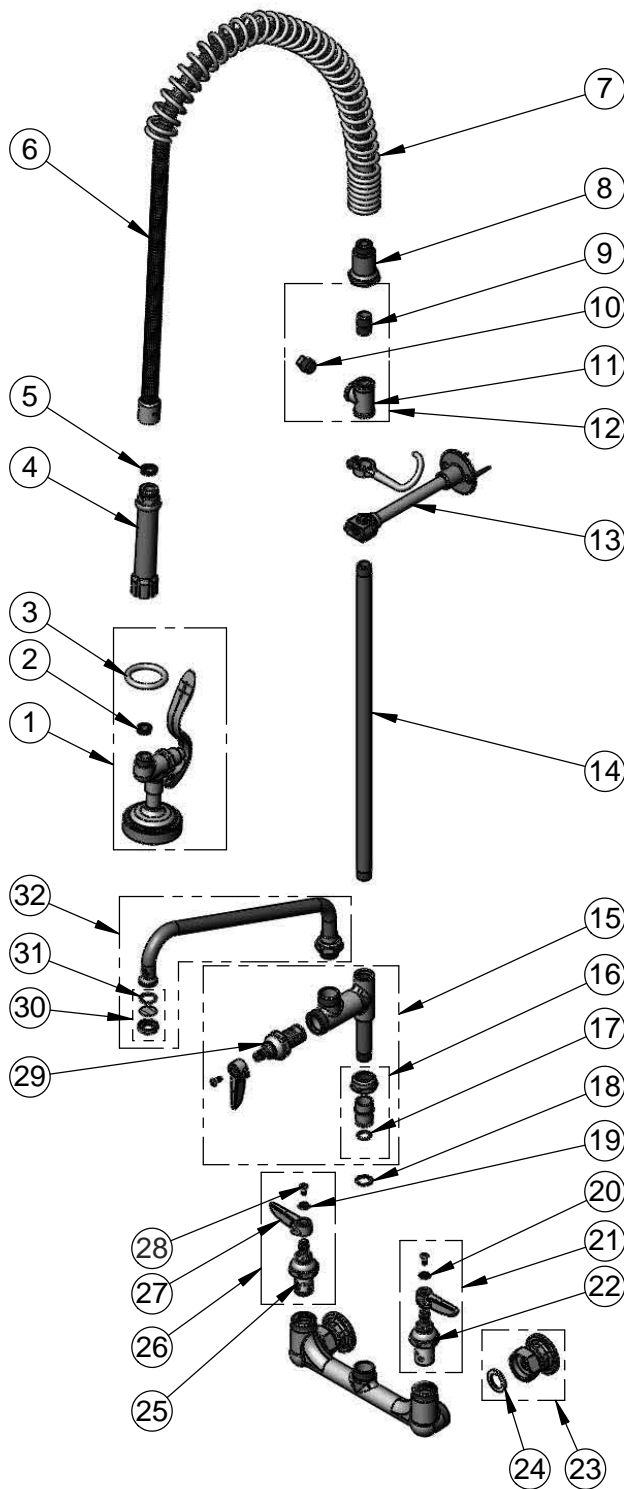
2 Saddleback Cove / P.O. Box 1088  
Travelers Rest, SC 29690

Model No.

**B-0133-A12B-TEE**

Item No.

Travelers Rest, SC: 800-476-4103 • Simi Valley, CA: 800-423-0150 • Fax: 864-834-3518 • www.tsbrass.com



ITEM NO.	SALES NO.	DESCRIPTION
1	B-0107	Spray Valve
2	010476-45	#27 Washer
3	000907-45	Spray Valve Hold Down Ring
4	002987-40	Grip Handle
5	001014-45	Washer, B-0100 Hose Barrel
6	B-0044-H2A	44" Flexible Stainless Steel Hose, Less Handle
7	00088-45	EasyInstall Overhead Spring
8	000821-40	Spring Body
9	002535-25	3/8" Close Nipple
10	002369-25	3/8" NPT Plug
11	001614-40	3/8" NPT Tee
12	B-TEE-RGD	Rigid Tee Assembly
13	B-0109-01	6" Wall Bracket
14	000369-40	3/8" NPT x 18" Riser
15	B-0155-LNEZ	EasyInstall Add-On Faucet Less Nozzle
16	EZ-K	EasyInstall Retro Fit Kit, Nut, Bushing O-Ring & Lock Washer
17	001065-45	EasyInstall O-Ring
18	014200-45	Star Washer, Anti-Rotation
19	001661-45	Red Index-HW
20	001660-45	Blue Index-CW
21	002711-40	Eterna Cartridge, LTC w/ Spring Check, Handle, Index & Screw
22	012442-40	Eterna Cartridge, LTC w/ Spring Check
23	00AA	1/2" NPT Female Eccentric Flange
24	001019-45	Coupling Nut Washer
25	012443-40	Eterna Cartridge, RTC w/ Spring Check
26	002712-40	Eterna Cartridge, RTC w/ Spring Check, Handle, Index & Screw
27	001638-45	Lever Handle
28	000922-45	Lever Handle Screw
29	005960-40QT	Quarter-Turn Eterna Cartridge, RTC
30	B-PT	Stream Regulator Outlet
31	001048-45	Nozzle Tip Washer
32	062X	12" Swing Nozzle Assembly

**Product Specifications:**

Pre-Rinse Unit: EasyInstall 8" Wall Mount Faucet, Accessory Fitting Tee, Eterna Cartridges w/ Spring Checks, Lever Handles, Add-on Faucet, 12" Swing Nozzle, 44" Flexible Stainless Steel Hose, 1.42 GPM Spray Valve, 6" Wall Bracket & 1/2" NPT Female Inlets

**Product Compliance:**

ASME A112.18.1 / CSA B125.1  
NSF 61 - Section 9  
NSF 372 (Low Lead Content)  
EPA Act 2005 (PRSV)