



# T&S BRASS AND BRONZE WORKS, INC.

2 Saddleback Cove / P.O. Box 1088  
Travelers Rest, SC 29690

Model No.

**B-0133-A16-CR-B**

Item No.

Travelers Rest, SC: 800-476-4103 • Simi Valley, CA: 800-423-0150 • Fax: 864-834-3518 • www.tsbrass.com

This Space for Architect/Engineer Approval

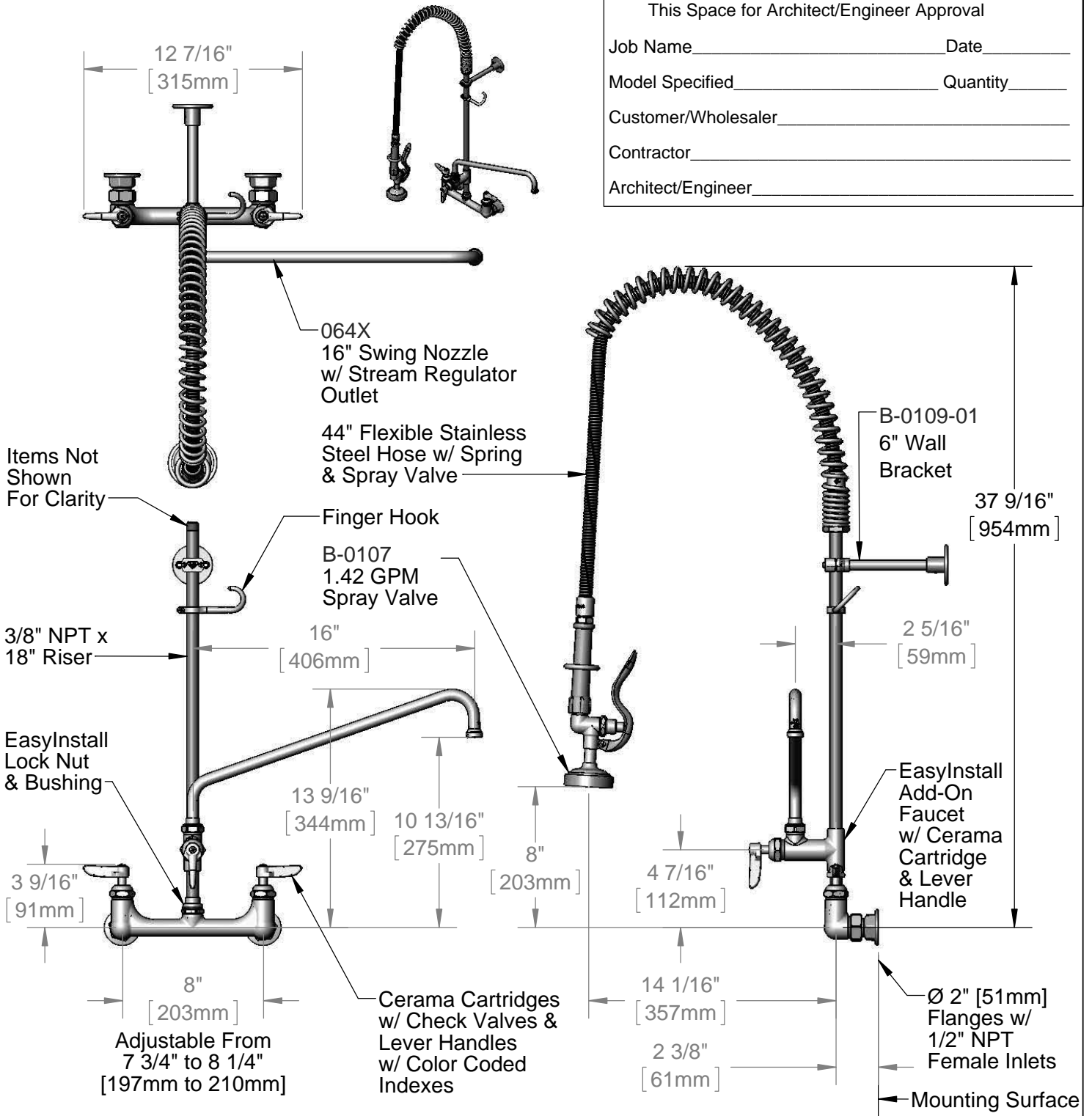
Job Name \_\_\_\_\_ Date \_\_\_\_\_

Model Specified \_\_\_\_\_ Quantity \_\_\_\_\_

Customer/Wholesaler \_\_\_\_\_

Contractor \_\_\_\_\_

Architect/Engineer \_\_\_\_\_



**Product Specifications:**

Pre-Rinse Unit: EasyInstall 8" Wall Mount Mixing Faucet, Cerama Cartridges w/ Check Valves, Lever Handles, Add-On Faucet, 16" Swing Nozzle, 44" Flexible Stainless Steel Hose, 1.42 GPM Spray Valve, 6" Wall Bracket & 1/2" NPT Female Inlets

**Product Compliance:**

ASME A112.18.1 / CSA B125.1  
NSF 61 - Section 9  
NSF 372 (Low Lead Content)  
EPA Act 2005 (PRSV)



# T&S BRASS AND BRONZE WORKS, INC.

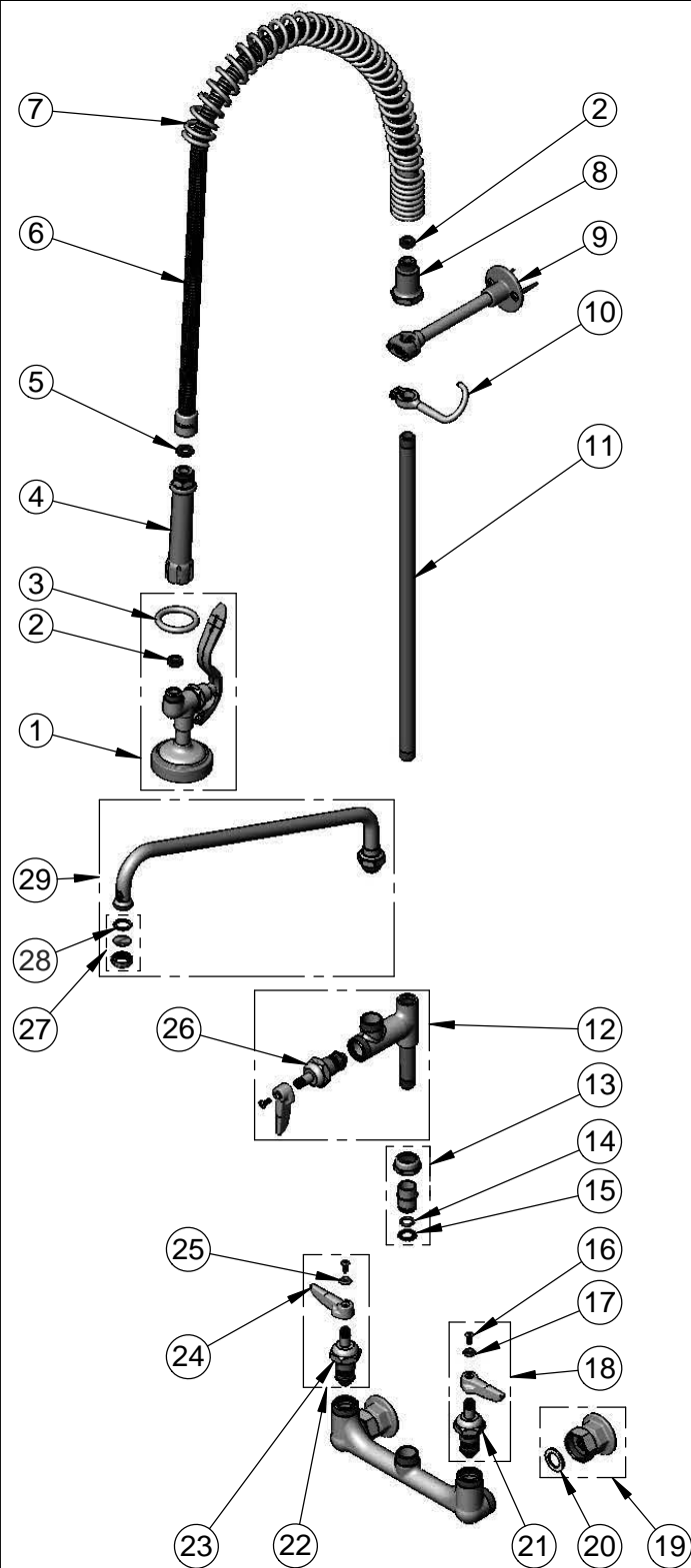
2 Saddleback Cove / P.O. Box 1088  
Travelers Rest, SC 29690

Model No.

**B-0133-A16-CR-B**

Item No.

Travelers Rest, SC: 800-476-4103 • Simi Valley, CA: 800-423-0150 • Fax: 864-834-3518 • www.tsbrass.com



ITEM NO.	SALES NO.	DESCRIPTION
1	B-0107	1.42 GPM Spray Valve
2	010476-45	#27 Washer
3	000907-45	Spray Valve Hold Down Ring
4	002987-40	Grip Handle
5	001014-45	Washer, B-0100 Hose Barrel
6	B-0044-H2A	44" Flexible Stainless Steel Hose, Less Handle
7	000888-45	EasyInstall Overhead Spring
8	000821-40	Spring Body
9	B-0109-01	6" Wall Bracket
10	004R	Finger Hook
11	000369-40	3/8" NPT x 18" Riser
12	B-0155-CR-LN	Add-On Faucet w/ Quarter-Turn Cerama Cartridge, RTC & Lever Handle, Less Nozzle
13	EZ-K	EasyInstall Kit: Nut, Bushing, O-ring & Lock Washer
14	001065-45	O-Ring
15	014200-45	Star Washer, Anti-Rotation
16	000922-45	Lever Handle Screw
17	001660-45	Blue Index-CW
18	012447-25	Quarter-Turn Cerama Cartridge, LTC w/ Check Valve, Handle, Index & Screw
19	00AA	1/2" NPT Female Eccentric Flange
20	001019-45	Coupling Nut Washer
21	012395-25	Quarter-Turn Cerama Cartridge, LTC w/ Check Valve
22	012446-25	Quarter-Turn Cerama Cartridge, RTC w/ Check Valve, Handle, Index & Screw
23	012394-25	Quarter-Turn Cerama Cartridge, RTC w/ Check Valve
24	001638-45	Lever Handle
25	001661-45	Red Index-HW
26	011278-25	Quarter-Turn Cerama Cartridge, RTC
27	B-PT	Stream Regulator Outlet
28	001048-45	Nozzle Tip Washer
29	064X	16" Swing Nozzle

**Product Specifications:**

Pre-Rinse Unit: EasyInstall 8" Wall Mount Mixing Faucet, Cerama Cartridges w/ Check Valves, Lever Handles, Add-On Faucet, 16" Swing Nozzle, 44" Flexible Stainless Steel Hose, 1.42 GPM Spray Valve, 6" Wall Bracket & 1/2" NPT Female Inlets

**Product Compliance:**

ASME A112.18.1 / CSA B125.1  
NSF 61 - Section 9  
NSF 372 (Low Lead Content)  
EPA Act 2005 (PRSV)