



T&S BRASS AND BRONZE WORKS, INC.

2 Saddleback Cove / P.O. Box 1088
Travelers Rest, SC 29690

Model No.

B-0133-C-LB

Item No.

Travelers Rest, SC: 800-476-4103 • Simi Valley, CA: 800-423-0150 • Fax: 864-834-3518 • www.tsbrass.com

This Space for Architect/Engineer Approval

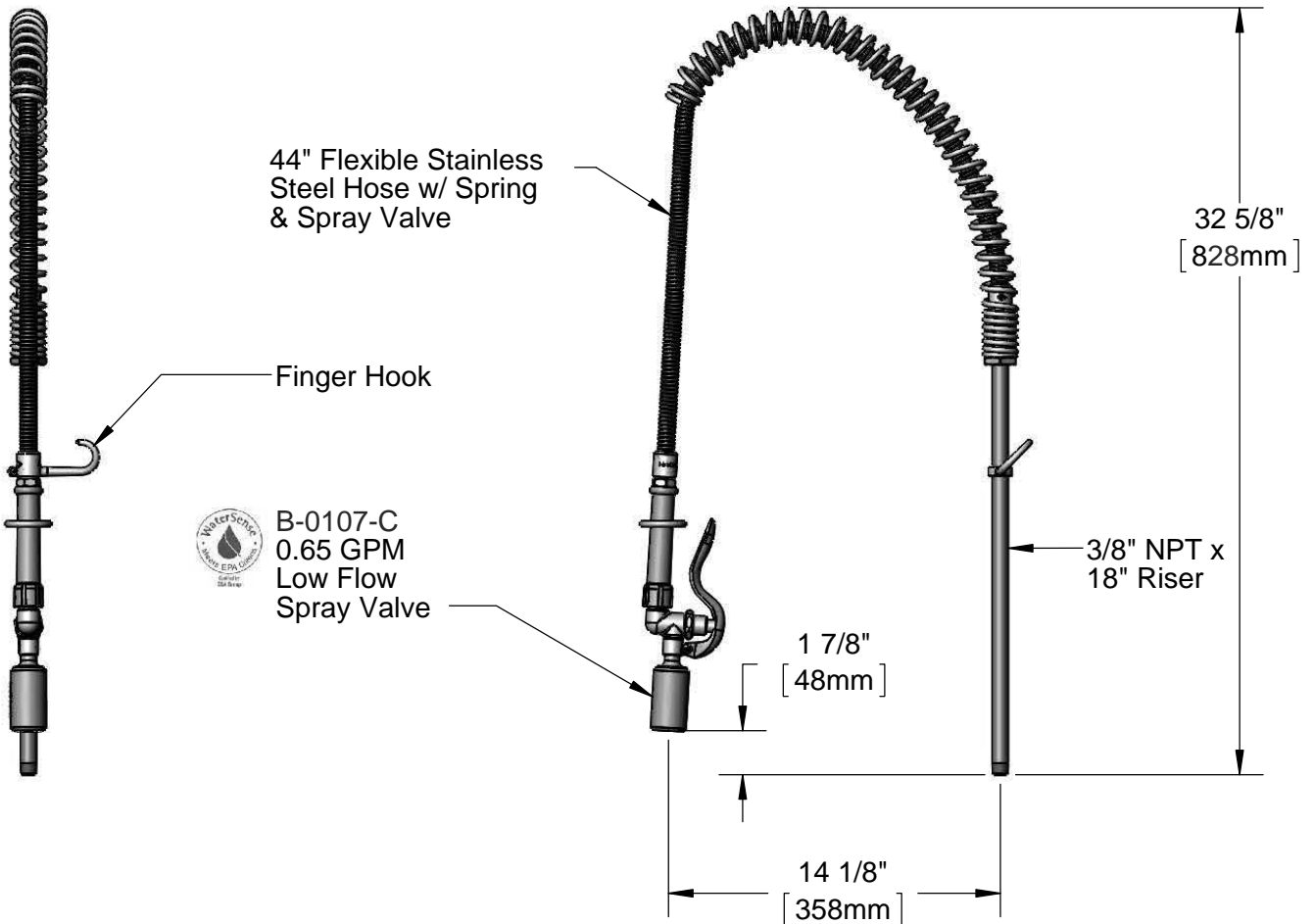
Job Name _____ Date _____

Model Specified _____ Quantity _____

Customer/Wholesaler _____

Contractor _____

Architect/Engineer _____



Product Specifications:

Pre-Rinse Unit: 18" Riser, 44" Flexible Stainless Steel Hose & 0.65 GPM Low Flow Spray Valve, Less Faucet

Product Compliance:

ASME A112.18.1 / CSA B125.1
NSF 61 - Section 9
NSF 372 (Low Lead Content)
EPA Act 2005 (PRSV)
EPA WaterSense (PRSV)



T&S BRASS AND BRONZE WORKS, INC.

2 Saddleback Cove / P.O. Box 1088
Travelers Rest, SC 29690

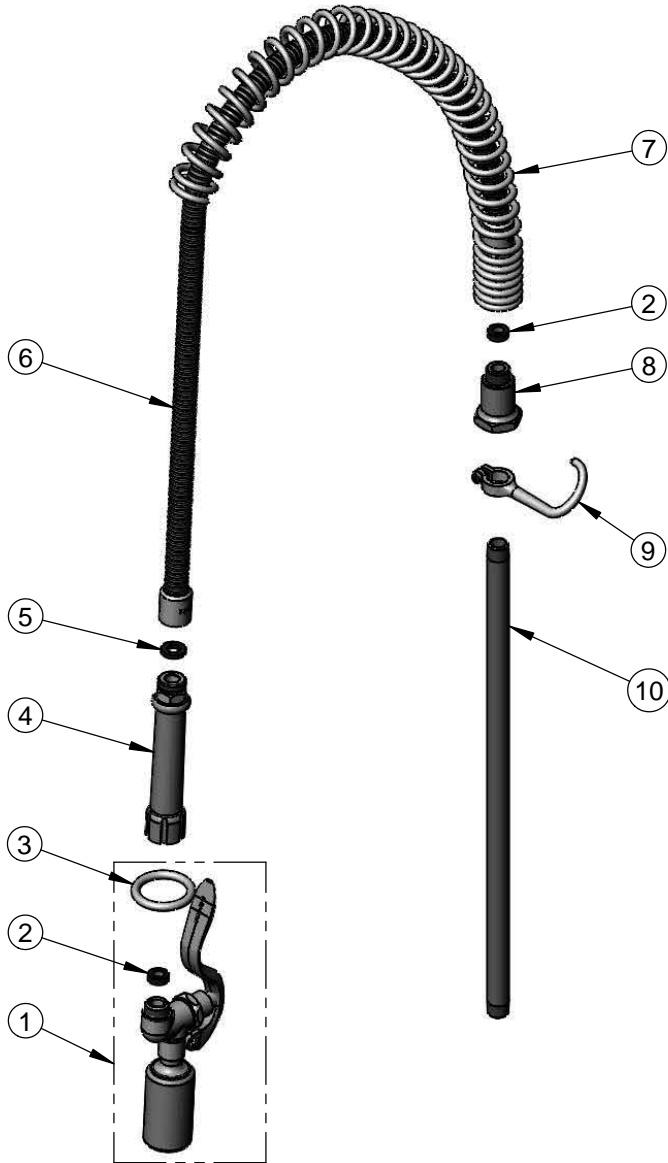
Model No.

B-0133-C-LB

Item No.

Travelers Rest, SC: 800-476-4103 • Simi Valley, CA: 800-423-0150 • Fax: 864-834-3518 • www.tsbrass.com

| ITEM NO. | SALES NO. | DESCRIPTION |
|----------|------------|--|
| 1 | B-0107-C | 0.65 GPM Low Flow Spray Valve |
| 2 | 010476-45 | #27 Washer |
| 3 | 000907-45 | Spray Valve Hold Down Ring |
| 4 | 002987-40 | Grip Handle |
| 5 | 001014-45 | Washer, B-0100 Hose Barrel |
| 6 | B-0044-H2A | 44" Flexible Stainless Steel Hose, Less Handle |
| 7 | 000888-45 | EasyInstall Overhead Spring |
| 8 | 000821-40 | Spring Body |
| 9 | 004R | Finger Hook |
| 10 | 000369-40 | 3/8" NPT x 18" Riser |



Product Specifications:

Pre-Rinse Unit: 18" Riser, 44" Flexible Stainless Steel Hose & 0.65 GPM Low Flow Spray Valve, Less Faucet

Product Compliance:

ASME A112.18.1 / CSA B125.1
NSF 61 - Section 9
NSF 372 (Low Lead Content)
EPA Act 2005 (PRSV)
EPA WaterSense (PRSV)