



T&S BRASS AND BRONZE WORKS, INC.

2 Saddleback Cove / P.O. Box 1088
Travelers Rest, SC 29690

Model No.

B-0133-CR-B08W4

Item No.

Travelers Rest, SC: 800-476-4103 • Simi Valley, CA: 800-423-0150 • Fax: 864-834-3518 • www.tsbrass.com

This Space for Architect/Engineer Approval

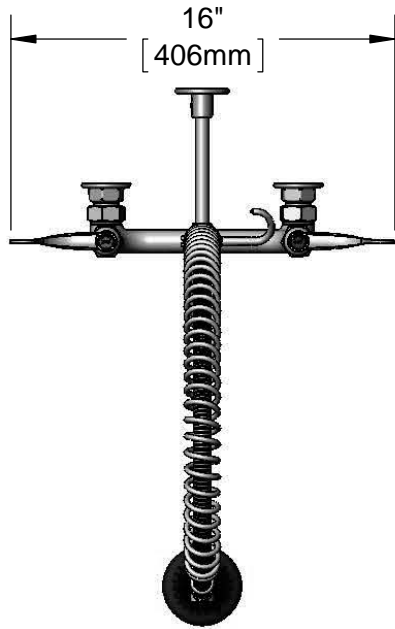
Job Name _____ Date _____

Model Specified _____ Quantity _____

Customer/Wholesaler _____

Contractor _____

Architect/Engineer _____



44" Flexible Stainless Steel Hose w/ Spring & Spray Valve

B-0108
1.48 GPM
JeTSpray
Valve

B-0109-01
6" Wall
Bracket

Items Not
Shown
For Clarity

3/8" NPT x 18"
Riser

Finger
Hook

EasyInstall
Lock Nut
& Bushing

33 5/16"
[846mm]

5 3/8"
[136mm]

5 3/8"
[136mm]

Mounting
Surface

8"
[203mm]
Adjustable From
7 3/4" to 8 1/4"
[197mm to 210mm]

Quarter-Turn
Cerama Cartridges
w/ Check Valves
& 4" Wrist Action
Handles w/ Color
Coded Indexes

14 7/16"
[366mm]

Ø 2" [51mm]
Flanges w/
1/2" NPT
Female Inlets

2 3/8"
[61mm]

Product Specifications:

Pre-Rinse Unit: EasyInstall 8" Wall Mount Mixing Faucet, Quarter-Turn Cerama Cartridges w/ Check Valves, 4" Wrist Action Handles, 18" Riser, 44" Flexible Stainless Steel Hose, 1.48 GPM JeTSpray Valve, 6" Wall Bracket & 1/2" NPT Female Inlets

Product Compliance:

ASME A112.18.1 / CSA B125.1
NSF 61 - Section 9
NSF 372 (Low Lead Content)
EPA Act 2005 (PRSV)



T&S BRASS AND BRONZE WORKS, INC.

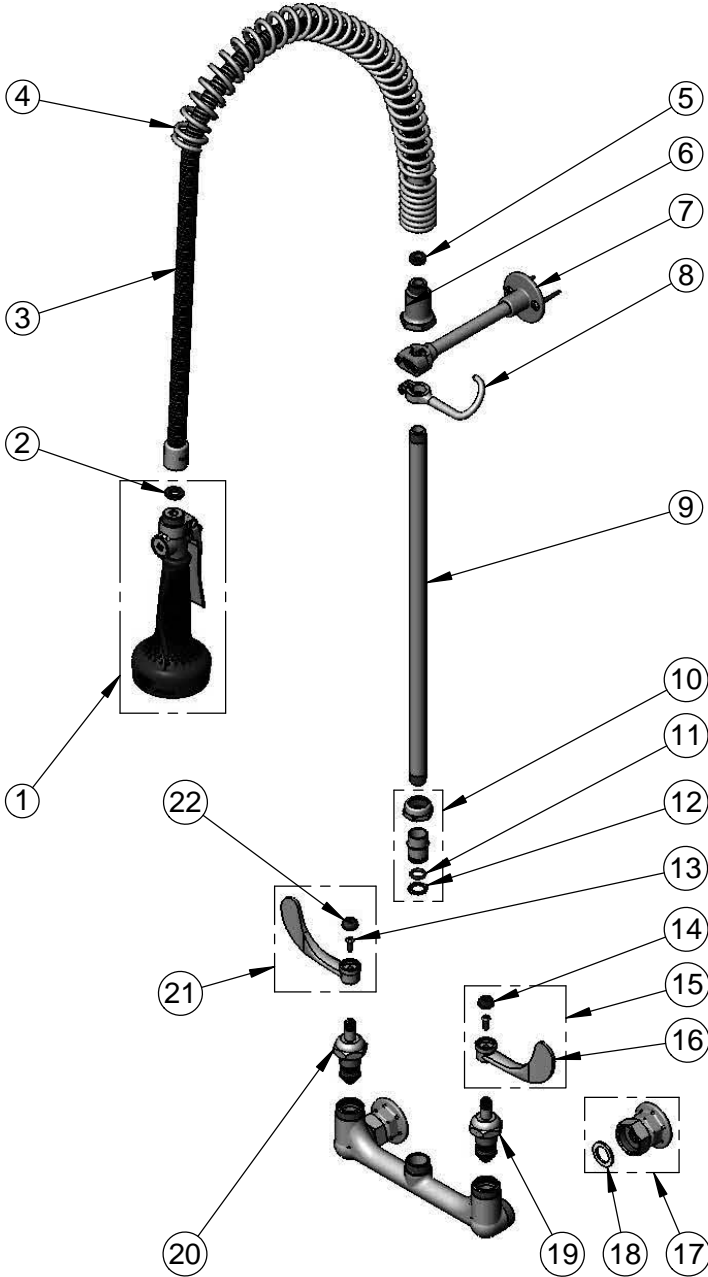
2 Saddleback Cove / P.O. Box 1088
Travelers Rest, SC 29690

Model No.

B-0133-CR-B08W4

Item No.

Travelers Rest, SC: 800-476-4103 • Simi Valley, CA: 800-423-0150 • Fax: 864-834-3518 • www.tsbrass.com



| ITEM NO. | SALES NO. | DESCRIPTION |
|----------|------------|---|
| 1 | B-0108 | 1.48 GPM Spray Valve w/ Ergo-Grip |
| 2 | 001014-45 | Washer, B-0100 Hose Barrel |
| 3 | B-0044-H2A | 44" Flexible Stainless Steel Hose, Less Handle |
| 4 | 000888-45 | EasyInstall Overhead Spring |
| 5 | 010476-45 | #27 Washer |
| 6 | 000821-40 | Spring Body |
| 7 | B-0109-01 | 6" Wall Bracket |
| 8 | 004R | Finger Hook |
| 9 | 000369-40 | 3/8" NPT x 18" Riser |
| 10 | EZ-K | EasyInstall Kit: Nut, Bushing, O-ring & Lock Washer |
| 11 | 001065-45 | O-Ring |
| 12 | 014200-45 | Star Washer, Anti-Rotation |
| 13 | 000925-45 | Lab Handle Screw |
| 14 | 001686-45 | Blue Index - CW |
| 15 | B-WH4C | 4" Wrist Action Handle, Screw & Cold Index |
| 16 | B-WH4 | 4" Wrist Action Handle |
| 17 | 00AA | 1/2" NPT Female Eccentric Flange |
| 18 | 001019-45 | Coupling Nut Washer |
| 19 | 012395-25 | Quarter-Turn Cerama Cartridge, LTC w/ Check Valve |
| 20 | 012394-25 | Quarter-Turn Cerama Cartridge, RTC w/ Check Valve |
| 21 | B-WH4H | 4" Wrist Action Handle, Screw & Hot Index |
| 22 | 001194-45 | Red Index - HW |

Product Specifications:

Pre-Rinse Unit: EasyInstall 8" Wall Mount Mixing Faucet, Quarter-Turn Cerama Cartridges w/ Check Valves, 4" Wrist Action Handles, 18" Riser, 44" Flexible Stainless Steel Hose, 1.48 GPM JeTSpray Valve, 6" Wall Bracket & 1/2" NPT Female Inlets

Product Compliance:

ASME A112.18.1 / CSA B125.1
NSF 61 - Section 9
NSF 372 (Low Lead Content)
EPA Act 2005 (PRSV)