



T&S BRASS AND BRONZE WORKS, INC.

2 Saddleback Cove / P.O. Box 1088
Travelers Rest, SC 29690

Model No.

B-0133-CR-B8SWX

Item No.

Travelers Rest, SC: 800-476-4103 • Simi Valley, CA: 800-423-0150 • Fax: 864-834-3518 • www.tsbrass.com

This Space for Architect/Engineer Approval

Job Name _____ Date _____

Model Specified _____ Quantity _____

Customer/Wholesaler _____

Contractor _____

Architect/Engineer _____



Items Not Shown for Clarity

3/8" NPT x 8" Riser

3 3/4" [95mm]

8" [203mm]
Adjustable from 7 3/4" to 8 1/4" [197mm to 210mm]

32" Flexible Stainless Steel Hose

018200-40 Pre-Rinse Swivel

Finger Hook

EasyInstall Lock Nut & Bushing

B-0108 1.48 GPM JeTSpray Valve

Quarter-Turn Cerama Cartridges w/ Check Valves & Decorative Club Handles w/ Indexes

23 5/16" [592mm]

B-0109-01 6" Wall Bracket

6 7/16" [163mm]

13 13/16" [351mm]

2 3/8" [61mm]

Mounting Surface

Ø 2" [51mm] Flanges w/ 1/2" NPT Female Inlets

Product Specifications:

Pre-Rinse Unit: EasyInstall 8" Wall Mount Mixing Faucet, Quarter-Turn Cerama Cartridges w/ Check Valves, 32" Flexible Stainless Steel Hose, 1.48 GPM JeTSpray Valve, Swivel, Decorative Club Handles, 8" Riser, 6" Wall Bracket & 1/2" NPT Female Inlets

Product Compliance:

ASME A112.18.1 / CSA B125.1
NSF 61 - Section 9
NSF 372 (Low Lead Content)
EPA Act 2005 (PRSV)



T&S BRASS AND BRONZE WORKS, INC.

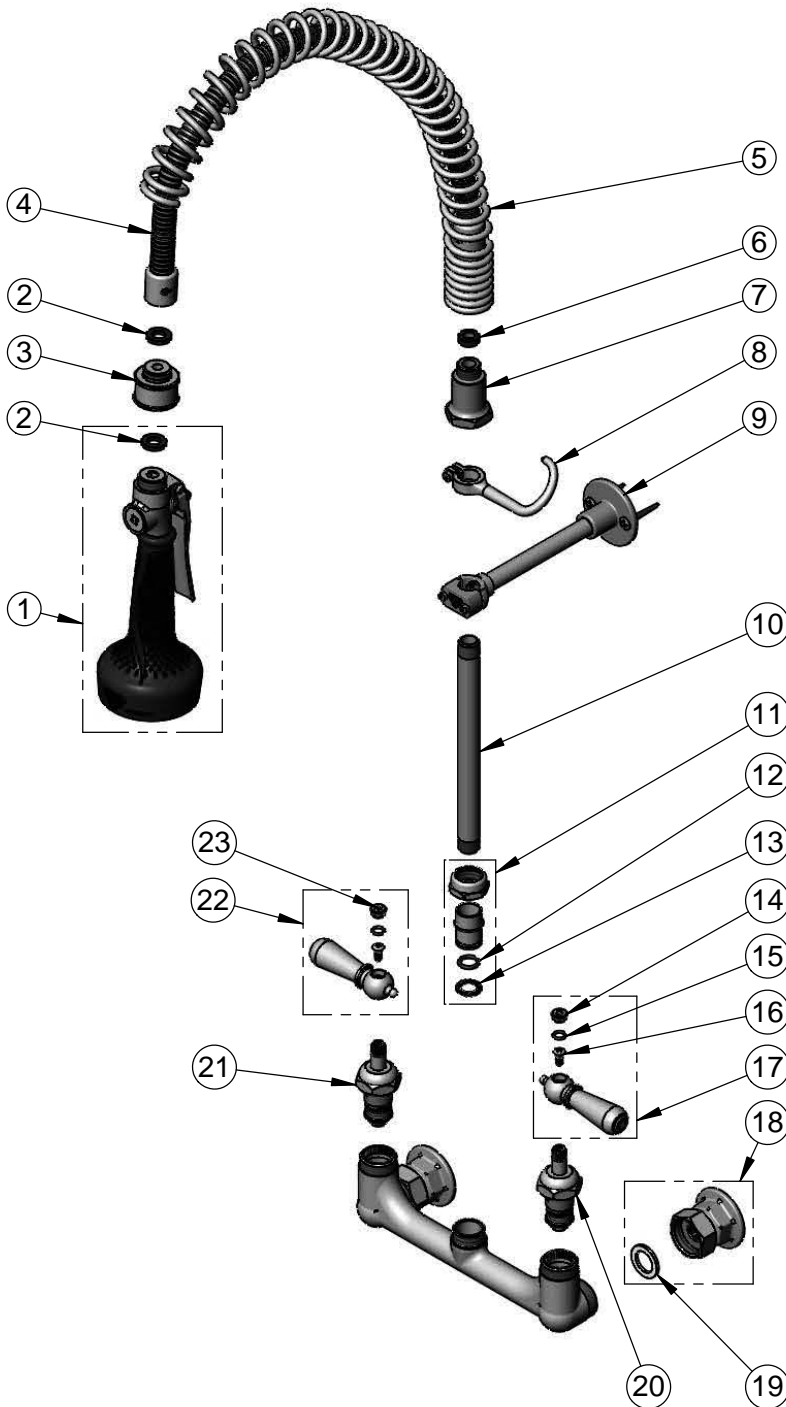
2 Saddleback Cove / P.O. Box 1088
Travelers Rest, SC 29690

Model No.

B-0133-CR-B8SWX

Item No.

Travelers Rest, SC: 800-476-4103 • Simi Valley, CA: 800-423-0150 • Fax: 864-834-3518 • www.tsbrass.com



ITEM NO.	SALES NO.	DESCRIPTION
1	B-0108	1.48 GPM JeTSpray Valve w/ Ergo-Grip
2	001014-45	Washer, B-0100 Hose Barrel
3	018200-40	Pre-Rinse Swivel w/ 2 Washers
4	B-0032-H2A	32" Flexible Stainless Steel Hose, Less Handle
5	000888-45	EasyInstall Overhead Spring
6	010476-45	#27 Washer
7	000821-40	Spring Body
8	004R	Finger Hook
9	B-0109-01	6" Wall Bracket
10	078X	Nipple, 3/8" NPT x 8"
11	EZ-K	EasyInstall Kit: Nut, Bushing, O-ring & Lock Washer
12	001065-45	O-ring
13	014200-45	Star Washer, Anti-Rotation
14	009304-41	Decorative Cap Insert, Cold
15	001066-45	O-ring
16	000922-45	Lever Handle Screw
17	009331-41	Decorative Club Handle, Cold
18	00AA	1/2" NPT Female Eccentric Flange
19	001019-45	Coupling Nut Washer
20	012395-25	Quarter-Turn Cerama Cartridge, LTC w/ Bonnet & Check Valve
21	012394-25	Quarter-Turn Cerama Cartridge, RTC w/ Bonnet & Check Valve
22	009332-41	Decorative Club Handle, Hot
23	009303-41	Decorative Cap Insert, Hot

Product Specifications:

Pre-Rinse Unit: EasyInstall 8" Wall Mount Mixing Faucet, Quarter-Turn Cerama Cartridges w/ Check Valves, 32" Flexible Stainless Steel Hose, 1.48 GPM JeTSpray Valve, Swivel, Decorative Club Handles, 8" Riser, 6" Wall Bracket & 1/2" NPT Female Inlets

Product Compliance:

ASME A112.18.1 / CSA B125.1
NSF 61 - Section 9
NSF 372 (Low Lead Content)
EPA Act 2005 (PRSV)