



T&S BRASS AND BRONZE WORKS, INC.

2 Saddleback Cove / P.O. Box 1088
Travelers Rest, SC 29690

Model No.
B-0133-CR-BVB-A

Item No.

Travelers Rest, SC: 800-476-4103 • Simi Valley, CA: 800-423-0150 • Fax: 864-834-3518 • www.tsbrass.com

This Space for Architect/Engineer Approval

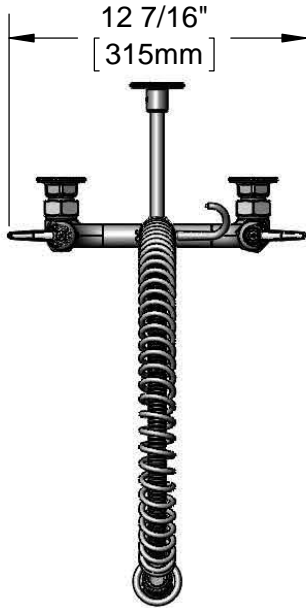
Job Name _____ Date _____

Model Specified _____ Quantity _____

Customer/Wholesaler _____

Contractor _____

Architect/Engineer _____



44" Flexible Stainless Steel Hose w/ Spring & Spray Valve

Items Not Shown For Clarity

Finger Hook

B-0107-A Spray Valve w/ 2.2 GPM Aerator

3/8" NPT x 18" Riser

B-0970-FEZ Vacuum Breaker

B-0109-01 6" Wall Bracket

36 3/4" [933mm]

EasyInstall Lock Nut & Bushing

3 9/16" [91mm]

8" [203mm]

Adjustable From 7 3/4" to 8 1/4" [197mm to 210mm]

Quarter-Turn Cerama Cartridges w/ Check Valves & Lever Handles w/ Color Coded Indexes

7 13/16" [198mm]

14 1/16" [356mm]

2 3/8" [61mm]

Ø2" [51mm] Flanges w/ 1/2" NPT Female Inlets

Mounting Surface

Product Specifications:

Filler Unit: EasyInstall 8" Wall Mount Mixing Faucet, Quarter-Turn Cerama Cartridges w/ Check Valves, Lever Handles, 44" Flexible Stainless Steel Hose, Spray Valve w/ 2.2 GPM Aerator, Vacuum Breaker, 6" Wall Bracket & 1/2" NPT Female Inlets

Product Compliance:

ASME A112.18.1 / CSA B125.1
NSF 61 - Section 9
NSF 372 (Low Lead Content)
EPA Act 2005 Non-Compliant (PRSV)
CSA B64.8 (VB)
Product Not Designed/Intended for Commercial Warewashing in North America



T&S BRASS AND BRONZE WORKS, INC.

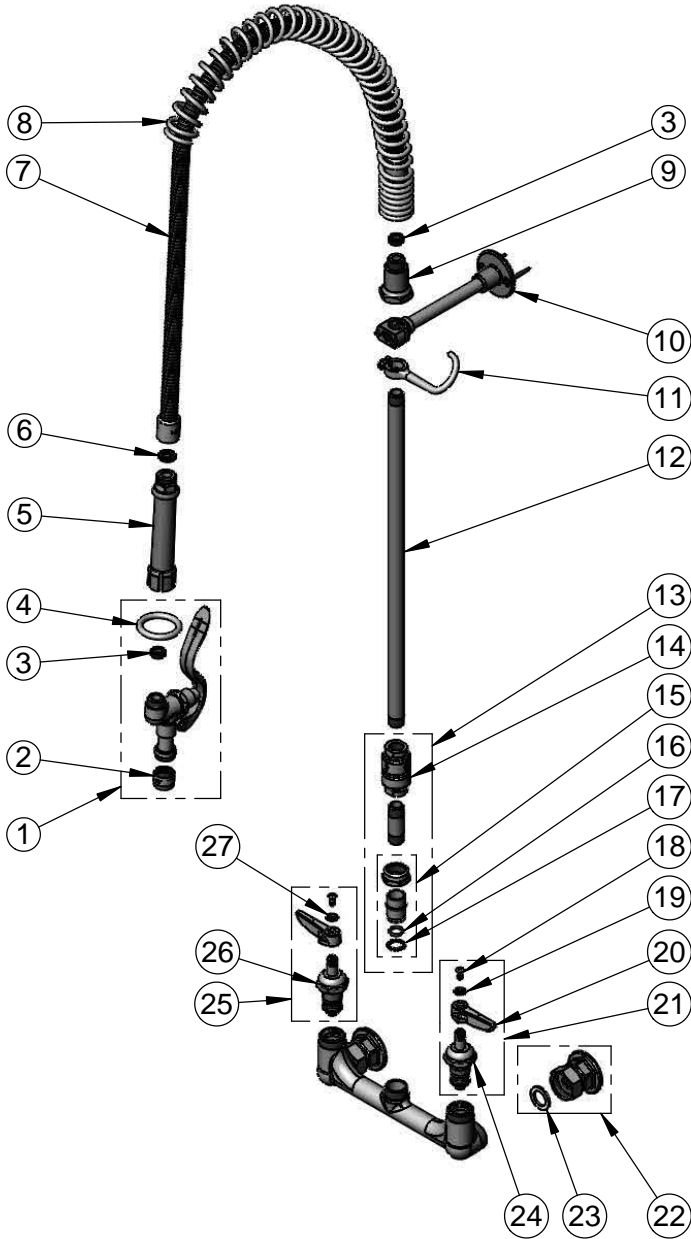
2 Saddleback Cove / P.O. Box 1088
Travelers Rest, SC 29690

Model No.

B-0133-CR-BVB-A

Item No.

Travelers Rest, SC: 800-476-4103 • Simi Valley, CA: 800-423-0150 • Fax: 864-834-3518 • www.tsbrass.com



ITEM NO.	SALES NO.	DESCRIPTION
1	B-0107-A	Filler Valve w/ 2.2 GPM Aerator
2	B-0199-01	2.2 GPM Aerator, 55/64"-27 UN Female
3	010476-45	#27 Washer
4	000907-45	Spray Valve Hold Down Ring
5	002987-40	Grip Handle
6	001014-45	Washer, B-0100 Hose Barrel
7	B-0044-H2A	44" Flexible Stainless Steel Hose, Less Handle
8	000888-45	EasyInstall Overhead Spring
9	000821-40	Spring Body
10	B-0109-01	6" Wall Bracket
11	004R	Finger Hook
12	000369-40	3/8" NPT x 18" Riser
13	B-0970-FEZ	EasyInstall Vacuum Breaker
14	B-0970-FE	3/8" NPT Vacuum Breaker
15	EZ-K	EasyInstall Kit: Nut, Bushing, O-Ring & Lock Washer
16	001065-45	O-Ring
17	014200-45	Star Washer, Anti-Rotation
18	000922-45	Lever Handle Screw
19	001660-45	Blue Index-CW
20	001638-45	Lever Handle
21	012447-25	Quarter-Turn Cerama Cartridge, LTC w/ Check Valve, Handle, Index & Screw
22	00AA	1/2" NPT Female Eccentric Flange
23	001019-45	Coupling Nut Washer
24	012395-25	Quarter-Turn Cerama Cartridge, LTC w/ Check Valve
25	012446-25	Quarter-Turn Cerama Cartridge, RTC w/ Check Valve, Handle, Index & Screw
26	012394-25	Quarter-Turn Cerama Cartridge, RTC w/ Check Valve
27	001661-45	Red Index-HW

Product Specifications:

Filler Unit: EasyInstall 8" Wall Mount Mixing Faucet, Quarter-Turn Cerama Cartridges w/ Check Valves, Lever Handles, 44" Flexible Stainless Steel Hose, Spray Valve w/ 2.2 GPM Aerator, Vacuum Breaker, 6" Wall Bracket & 1/2" NPT Female Inlets

Product Compliance:

ASME A112.18.1 / CSA B125.1
NSF 61 - Section 9
NSF 372 (Low Lead Content)
EPA Act 2005 Non-Compliant (PRSV)
CSA B64.8 (VB)
Product Not Designed/Intended for Commercial Warewashing in North America