



T&S BRASS AND BRONZE WORKS, INC.

2 Saddleback Cove / P.O. Box 1088
Travelers Rest, SC 29690

Model No.

B-0153

Item No.

Travelers Rest, SC: 800-476-4103 • Simi Valley, CA: 800-423-0150 • Fax: 864-834-3518 • www.tsbrass.com

This Space for Architect/Engineer Approval

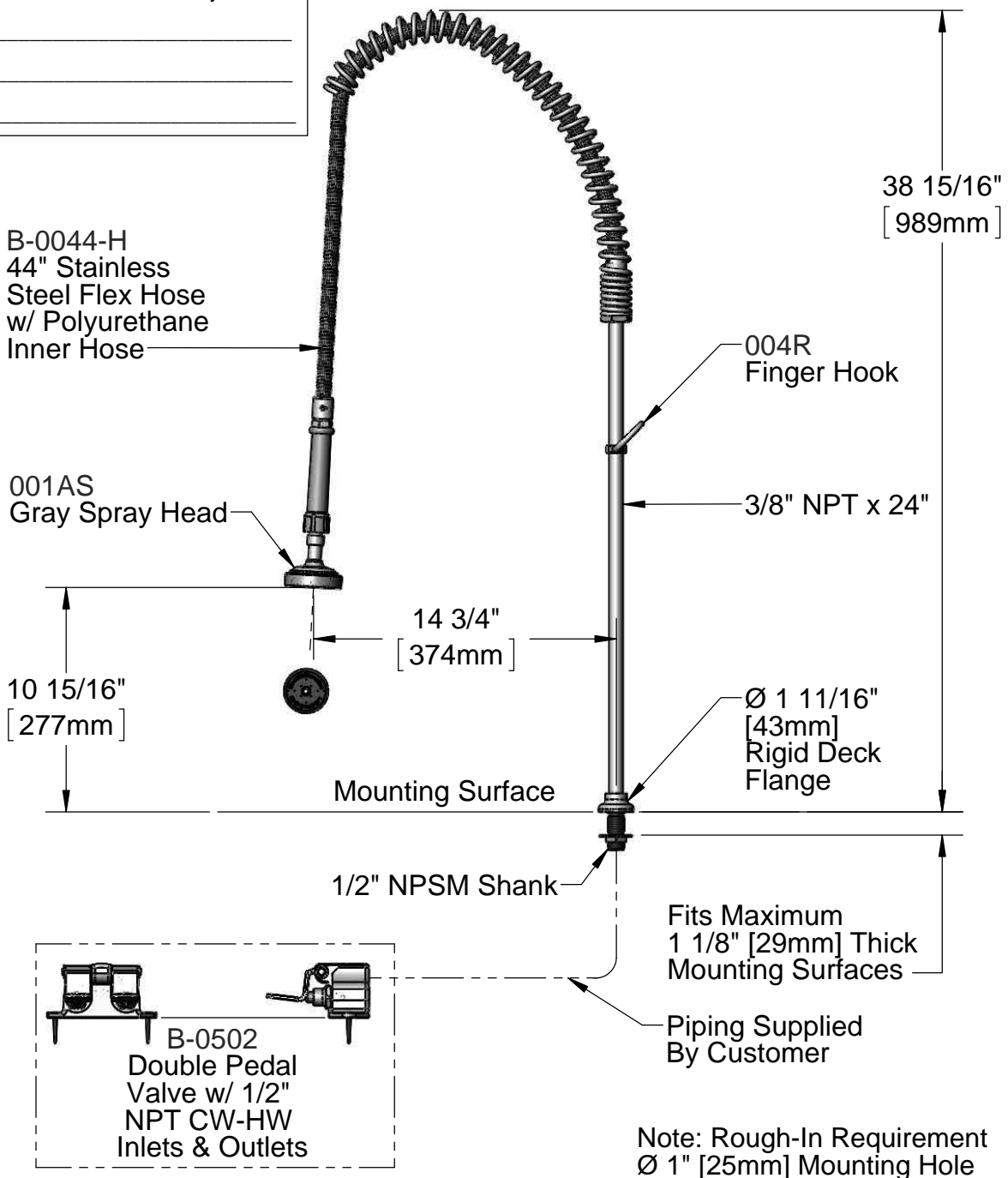
Job Name _____ Date _____

Model Specified _____ Quantity _____

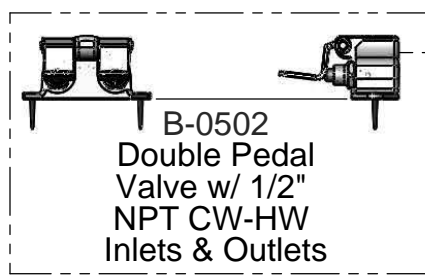
Customer/Wholesaler _____

Contractor _____

Architect/Engineer _____



150A
Tailpiece & Nut
Furnished for
Optional 1/4" NPT
Connection



Note: Rough-In Requirement
Ø 1" [25mm] Mounting Hole

Product Specifications:
Pre-Rinse w/ B-0502 Double Pedal Valve & 001AS Spray Attachment

Drawn DHL	Checked DMH	Approved JHB
Scale: 1:8		Date: 03/02/12



T&S BRASS AND BRONZE WORKS, INC.

2 Saddleback Cove / P.O. Box 1088
Travelers Rest, SC 29690

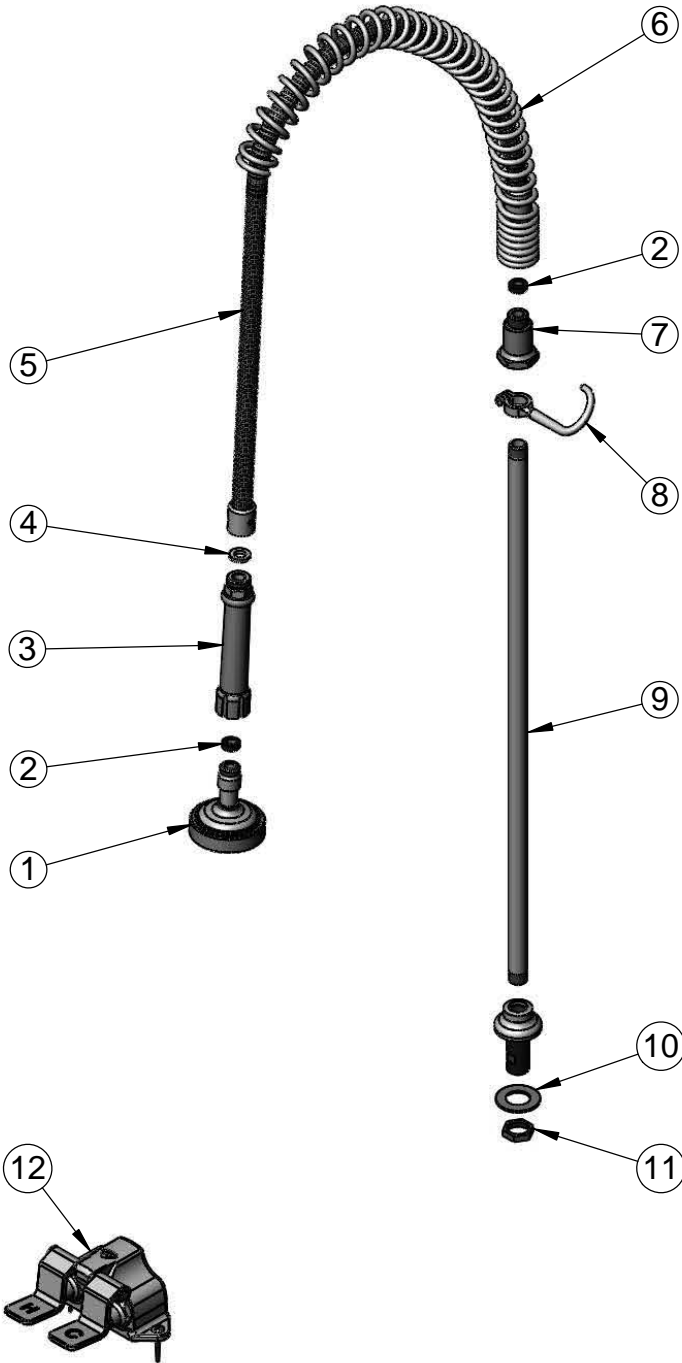
Model No.

B-0153

Item No.

Travelers Rest, SC: 800-476-4103 • Simi Valley, CA: 800-423-0150 • Fax: 864-834-3518 • www.tsbrass.com

ITEM NO.	SALES NO.	DESCRIPTION
1	001AS	Spray Head
2	010476-45	#27 Washer
3	002987-40	Flex Hose Handle Grip
4	001014-45	Washer, B-0100 Hose Barrel
5	B-0044-H2A	Stainless Steel Flex Hose - Less Handle
6	000888-45	EasyInstall Overhead Spring
7	000821-40	Spring Body
8	004R	Finger Hook
9	000372-40	3/8" NPT x 24" Riser
10	000999-45	Brass Lock Washer
11	002954-45	Shank Lock Nut
12	B-0502	Double Pedal Valve



Product Specifications:
Pre-Rinse w/ B-0502 Double Pedal Valve & 001AS Spray Attachment

Drawn DHL	Checked DMH	Approved JHB
Scale: NTS		Date: 03/02/12