



T&S BRASS AND BRONZE WORKS, INC.

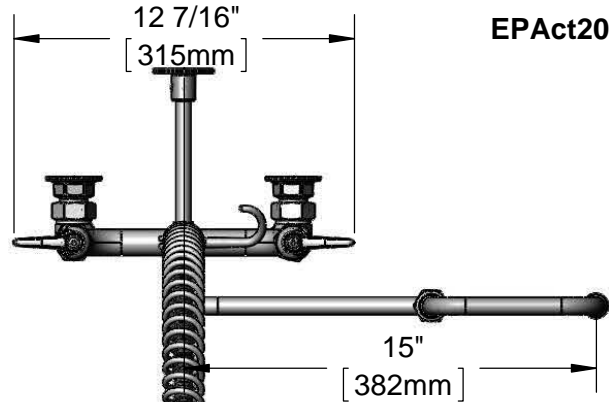
2 Saddleback Cove / P.O. Box 1088
Travelers Rest, SC 29690

Model No.

B-0154-CR-C

Item No.

Travelers Rest, SC: 800-476-4103 • Simi Valley, CA: 800-423-0150 • Fax: 864-834-3518 • www.tsbrass.com



EPAct2005 Compliant

This Space for Architect/Engineer Approval

Job Name _____ Date _____

Model Specified _____ Quantity _____

Customer/Wholesaler _____

Contractor _____

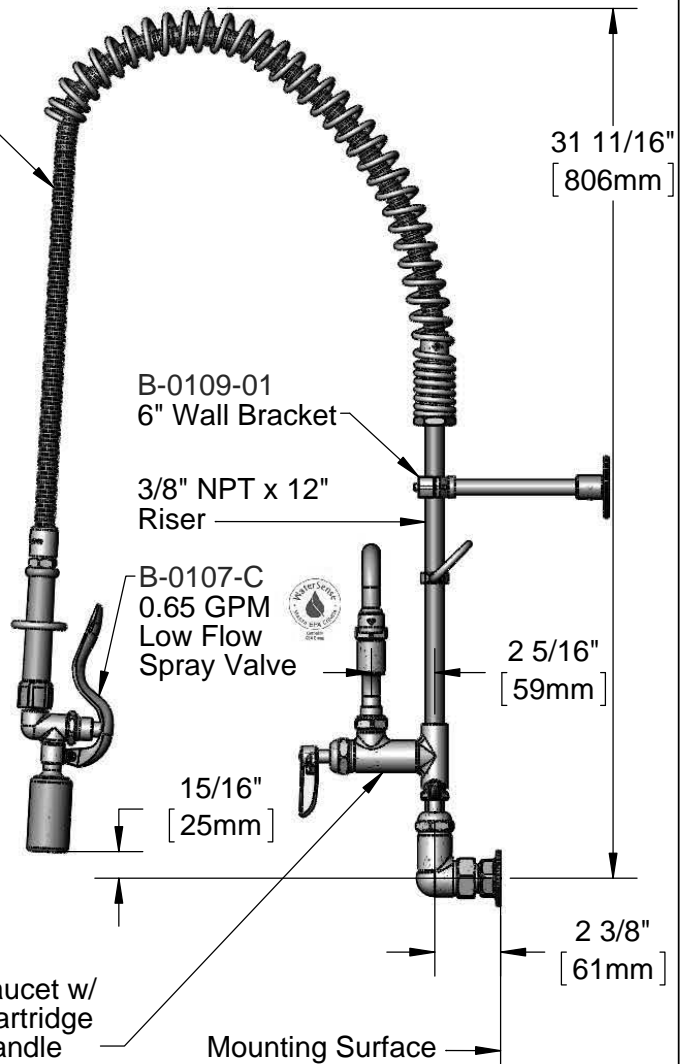
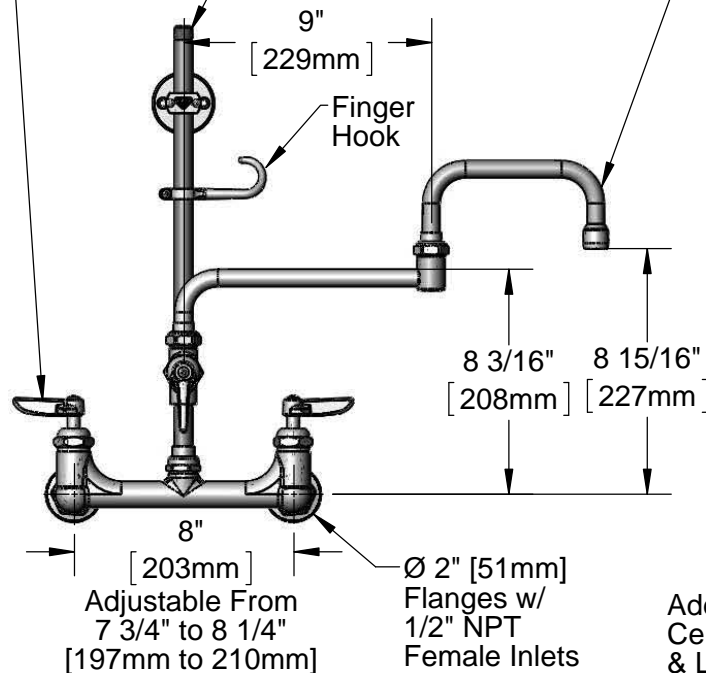
Architect/Engineer _____

44" Flexible Stainless Steel Hose w/ Spring & Spray Valve

074X
15" Double Joint Swing Nozzle w/
2.2 GPM Aerator

Cerama Cartridges w/
Check Valves & Lever
Handles w/ Color Coded
Indexes

Items Not Shown
For Clarity



B-0109-01
6" Wall Bracket

3/8" NPT x 12"
Riser

B-0107-C
0.65 GPM
Low Flow
Spray Valve

Add-On Faucet w/
Cerama Cartridge
& Lever Handle

Mounting Surface

Product Specifications:

8" Wall Mount PRU Mixing Faucet, Cerama Cartridges w/ Check Valves, 15" Double Joint Swing Nozzle w/ 2.2 GPM Aerator, 44" Flexible Stainless Steel Hose w/ Low Flow Spray Valve, 6" Wall Bracket, Add-On Faucet & 1/2" NPT Female Inlets

Product Compliance:

ASME A112.18.1 / CSA B125.1
NSF 61 - Section 9
NSF 372 (Low Lead Content)
EPA WaterSense (PRSV)
EPAAct 2005 (PRSV)



T&S BRASS AND BRONZE WORKS, INC.

2 Saddleback Cove / P.O. Box 1088
Travelers Rest, SC 29690

Model No.

B-0154-CR-C

Item No.

Travelers Rest, SC: 800-476-4103 • Simi Valley, CA: 800-423-0150 • Fax: 864-834-3518 • www.tsbrass.com

ITEM NO.	SALES NO.	DESCRIPTION
1	B-0107-C	0.65 GPM Low Flow Spray Valve
2	010476-45	#27 Washer
3	000907-45	Spray Valve Hold Down Ring
4	002987-40	Grip Handle
5	001014-45	Washer, B-0100 Hose Barrel
6	B-0044-H2A	44" Flexible Stainless Steel Hose, Less Handle
7	000888-45	EasyInstall Overhead Spring
8	000821-40	Spring Body
9	B-0109-01	6" Wall Bracket
10	004R	Finger Hook
11	000366-40	3/8" NPT X 12" Riser
12	152X	Double Joint Swing Nozzle 9" Back Section
13	074X	15" Double Joint Swing Nozzle w/ 2.2 GPM Aerator
14	B-0199-01	2.2 GPM Aerator, 55/64-27 UN Female
15	001661-45	Red Index-HW
16	000922-45	Lever Handle Screw
17	001660-45	Blue Index-CW
18	001638-45	Lever Handle
19	012395-25	Quarter-Turn Cerama Cartridge, LTC w/ Check Valve
20	00AA	1/2" NPT Eccentric Female Flange
21	001019-45	Coupling Nut Washer
22	012447-25	Quarter-Turn Cerama Cartridge, LTC w/ Check Valve, Lever Handle, Index & Screw
23	014200-45	Star Washer, Anti-Rotation
24	012394-25	Quarter-Turn Cerama Cartridge, RTC w/ Check Valve
25	012446-25	Quarter-Turn Cerama Cartridge, RTC w/ Check Valve, Lever Handle, Index & Screw
26	011278-25	Quarter-Turn Cerama Cartridge, RTC

Product Specifications:
8" Wall Mount PRU Mixing Faucet, Cerama Cartridges w/ Check Valves, 15" Double Joint Swing Nozzle w/ 2.2 GPM Aerator, 44" Flexible Stainless Steel Hose w/ Low Flow Spray Valve, 6" Wall Bracket, Add-On Faucet & 1/2" NPT Female Inlets

Product Compliance:
ASME A112.18.1 / CSA B125.1
NSF 61 - Section 9
NSF 372 (Low Lead Content)
EPA WaterSense (PRSV)
EPA Act 2005 (PRSV)