



# T&S BRASS AND BRONZE WORKS, INC.

2 Saddleback Cove / P.O. Box 1088  
Travelers Rest, SC 29690

Model No.

**B-0155-064X**

Item No.

Travelers Rest, SC: 800-476-4103 • Simi Valley, CA: 800-423-0150 • Fax: 864-834-3518 • www.tsbrass.com



**ADA Compliant**

This Space for Architect/Engineer Approval

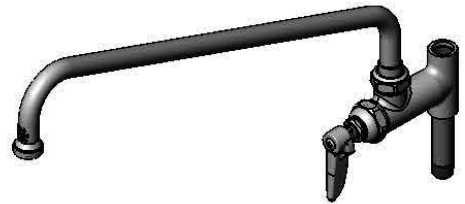
Job Name \_\_\_\_\_ Date \_\_\_\_\_

Model Specified \_\_\_\_\_ Quantity \_\_\_\_\_

Customer/Wholesaler \_\_\_\_\_

Contractor \_\_\_\_\_

Architect/Engineer \_\_\_\_\_



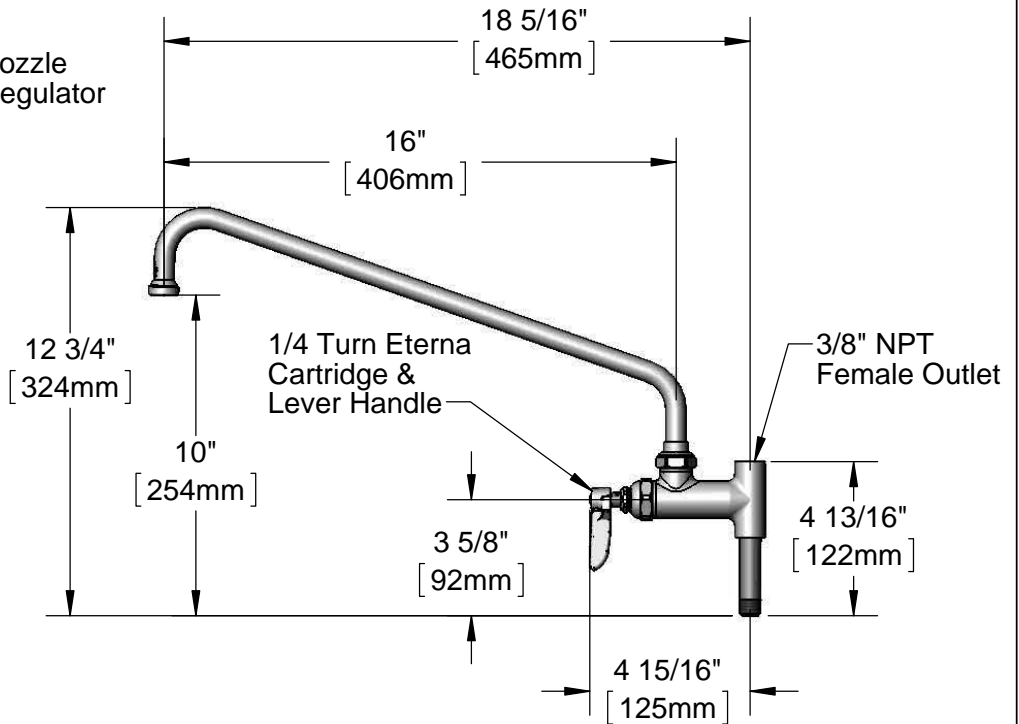
064X  
16" Swing Nozzle  
w/ Stream Regulator  
Outlet

3/8" NPT  
Male Inlet

Fully  
Open

90°

Closed



### Notes:

1. Add-On Faucet is an Addition to Pre-Rinse Units and is Installed in Outlets of Base Mixing Faucets of Units Before Fitting Riser Pipes

2. Lever Handle Controls Water On-Off Thru Nozzle Only. Pressure is Always "On" in Riser Pipe (Controlled by Base Mixing Faucet)

### Product Specifications:

Add-On Faucet w/ 1/4 Turn Eterna Cartridge, Lever Handle & 16" Swing Nozzle w/ Stream Regulator Outlet

### Product Compliance:

ASME A112.18.1 / CSA B125.1  
NSF 61 - Section 9  
NSF 372 (Low Lead Content)  
ANSI A117.1 (ADA)



# T&S BRASS AND BRONZE WORKS, INC.

2 Saddleback Cove / P.O. Box 1088  
Travelers Rest, SC 29690

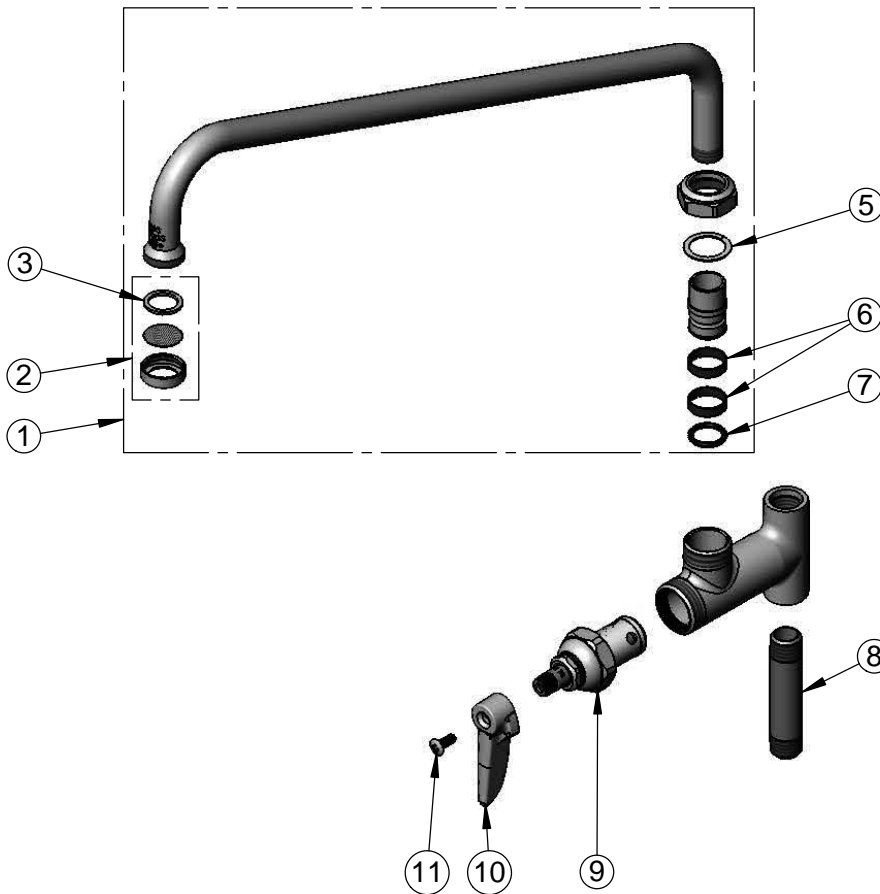
Model No.

**B-0155-064X**

Item No.

Travelers Rest, SC: 800-476-4103 • Simi Valley, CA: 800-423-0150 • Fax: 864-834-3518 • www.tsbrass.com

ITEM NO.	SALES NO.	DESCRIPTION
1	064X	16" Swing Nozzle
2	B-PT	Stream Regulator Outlet
3	001048-45	Nozzle Tip Washer
5	009538-45	Swivel Washer
6	011429-45	Swivel Sleeves (2)
7	001074-45	O-Ring
8	000358-40	Nipple, 3/8" NPT x 3"
9	005960-40QT	1/4 Turn Eterna Cartridge, RTC
10	001638-45	Lever Handle
11	000922-45	Lever Handle Screw



**Product Specifications:**

Add-On Faucet w/ 1/4 Turn Eterna Cartridge, Lever Handle & 16" Swing Nozzle w/ Stream Regulator Outlet

**Product Compliance:**

ASME A112.18.1 / CSA B125.1  
NSF 61 - Section 9  
NSF 372 (Low Lead Content)  
ANSI A117.1 (ADA)