



# T&S BRASS AND BRONZE WORKS, INC.

2 Saddleback Cove / P.O. Box 1088  
Travelers Rest, SC 29690



REG. #A2601  
ISO #9001

Model No.  
**B-0156-CR-SC**

Item No.

Travelers Rest, SC: 800-476-4103 Simi Valley, CA: 800-423-0150 Fax: 864-834-3518 www.tsbrass.com

This Space for Architect/Engineer Approval

Job Name \_\_\_\_\_ Date \_\_\_\_\_

Model Specified \_\_\_\_\_ Quantity \_\_\_\_\_

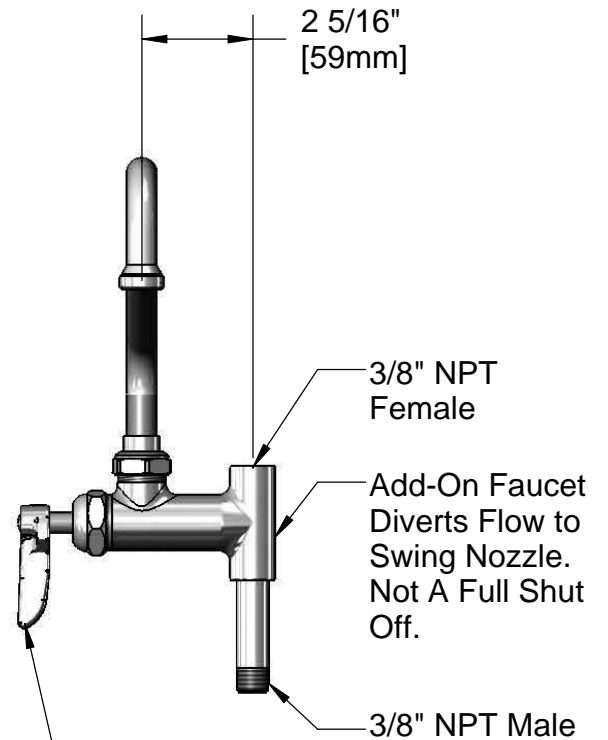
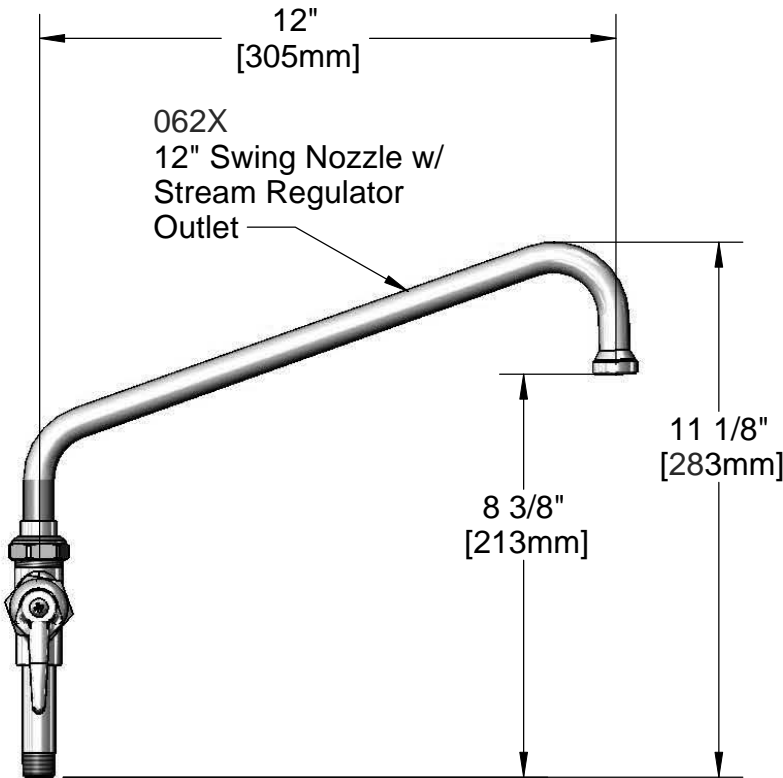
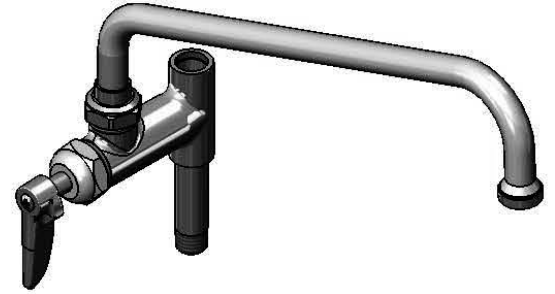
Customer/Wholesaler \_\_\_\_\_

Contractor \_\_\_\_\_

Architect/Engineer \_\_\_\_\_



**ADA Compliant**



Ceramic Cartridge  
w/ Check Valve &  
Lever Handle

Product Specifications:

**Add-On Faucet w/ Cerama Cartridge w/ Check Valve,  
12" Swing Nozzle, & Lever Handle**

Drawn  
KJG

Checked  
DMH

Approved  
JHB

Scale:

**1:4**

Date:

**10/08/10**



**T&S BRASS AND BRONZE WORKS, INC.**

2 Saddleback Cove / P.O. Box 1088  
Travelers Rest, SC 29690



REG. #A2601  
ISO #9001

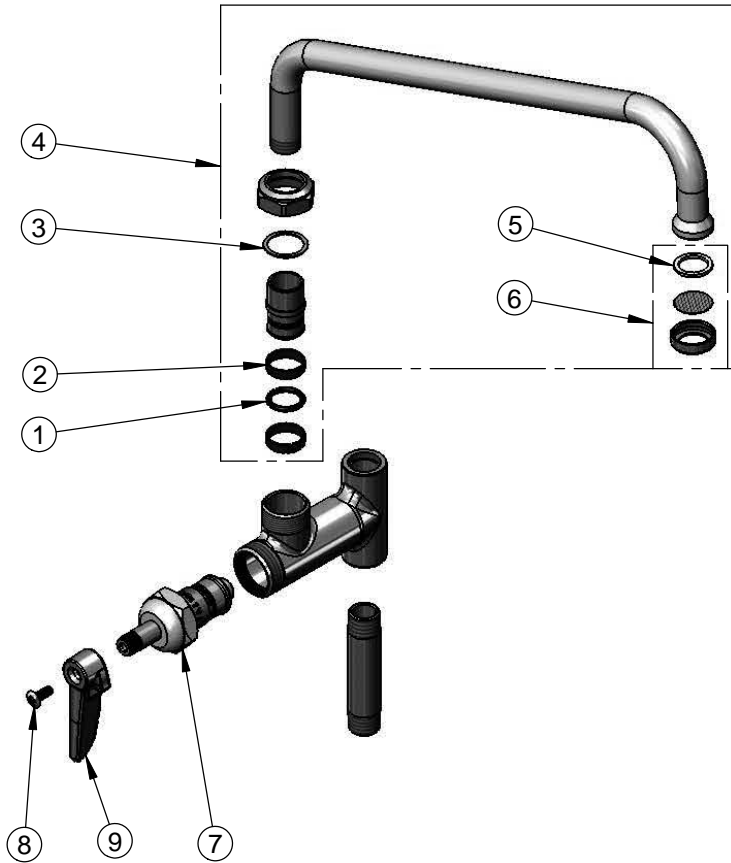
Model No.

**B-0156-CR-SC**

Item No.

Travelers Rest, SC: 800-476-4103 Simi Valley, CA: 800-423-0150 Fax: 864-834-3518 www.tsbrass.com

ITEM NO.	SALES NO.	DESCRIPTION
1	001074-45	O-Ring
2	011429-45	Swivel Sleeves (2)
3	009538-45	Swivel Washer
4	062X	12" Swing Nozzle Assembly
5	001048-45	Nozzle Tip Washer
6	B-PT	Stream Regulator Outlet
7	012394-25	Cerama Cartridge, RTC w/ Check Valve
8	000922-45	Lever Handle Screw
9	001638-45	Lever Handle



Product Specifications:

Add-On Faucet w/ Cerama Cartridge w/ Check Valve,  
12" Swing Nozzle, & Lever Handle

Drawn  
KJG

Checked  
DMH

Approved  
JHB

Scale:

NTS

Date:

10/08/10