



T&S BRASS AND BRONZE WORKS, INC.
 2 Saddleback Cove / P.O. Box 1088
 Travelers Rest, SC 29690

Model No.
B-0156-VF22

Item No.

Travelers Rest, SC: 800-476-4103 • Simi Valley, CA: 800-423-0150 • Fax: 864-834-3518 • www.tsbrass.com



ADA Compliant

This Space for Architect/Engineer Approval

Job Name _____ Date _____

Model Specified _____ Quantity _____

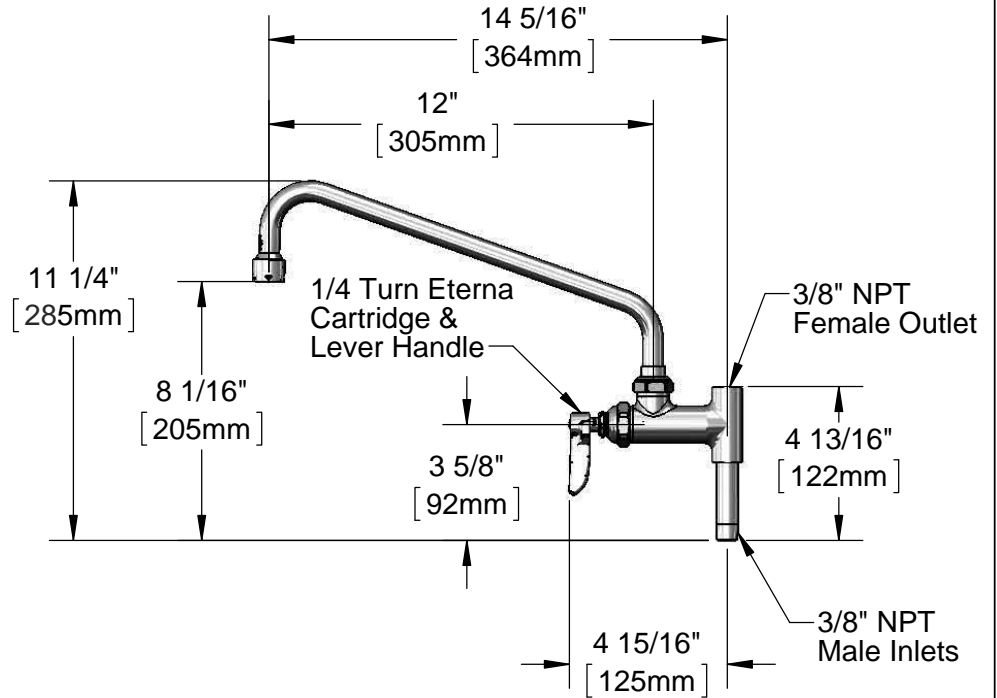
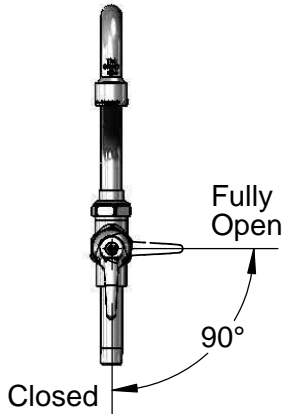
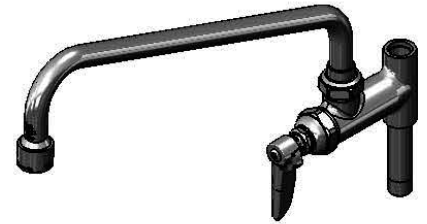
Customer/Wholesaler _____

Contractor _____

Architect/Engineer _____



062X
 12" Swing Nozzle w/
 2.2 GPM Vandal
 Resistant Aerator



Notes:

1. The Add-On Faucet is an Addition to Pre-Rinse Units and is Installed in Outlets of Base Mixing Faucets of Units Before Fitting Riser Pipes
2. Lever Handle Controls Water On-Off Thru Nozzle Only. Pressure is Always "On" in the Riser Pipe (Controlled by Base Mixing Faucet)

Product Specifications:
 Add-On Faucet w/ 1/4 Turn Eterna Cartridge, Lever Handle & 12" Swing
 Nozzle w/ 2.2 GPM Vandal Resistant Aerator

Drawn
KJG

Checked
DMH

Approved
JHB

Scale:
1:6

Date:
08/16/13



T&S BRASS AND BRONZE WORKS, INC.

2 Saddleback Cove / P.O. Box 1088
Travelers Rest, SC 29690

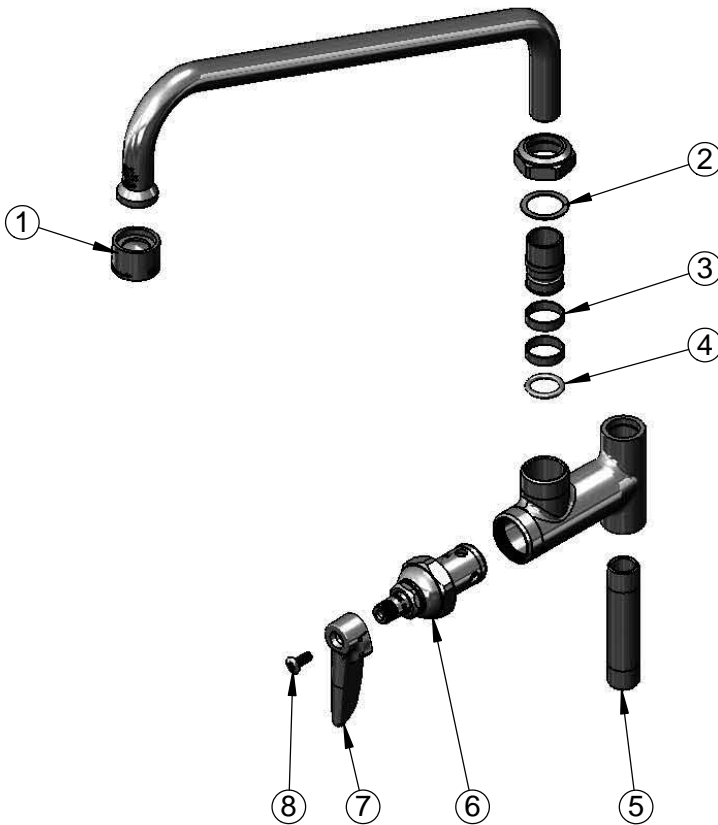
Model No.

B-0156-VF22

Item No.

Travelers Rest, SC: 800-476-4103 • Simi Valley, CA: 800-423-0150 • Fax: 864-834-3518 • www.tsbrass.com

ITEM NO.	SALES NO.	DESCRIPTION
1	B-0199-06	VR 2.2 GPM Aerator w/ Key
2	009538-45	Swivel Washer
3	011429-45	Swivel Sleeves (2)
4	001074-45	O-Ring
5	000358-40	Nipple, 3/8" NPT x 3"
6	005960-40QT	1/4 Turn Eterna Cartridge, RTC
7	001638-45	Lever Handle
8	000922-45	Lever Handle Screw



015425-45
Vandal Resistant Key

Product Specifications:
Add-On Faucet w/ 1/4 Turn Eterna Cartridge, Lever Handle & 12" Swing
Nozzle w/ 2.2 GPM Vandal Resistant Aerator

Drawn KJG	Checked DMH	Approved JHB
Scale: NTS		Date: 08/16/13