



T&S BRASS AND BRONZE WORKS, INC.

2 Saddleback Cove / P.O. Box 1088
Travelers Rest, SC 29690



REG. #A2601
ISO #9001

Model No.

B-0157-CR

Item No.

Travelers Rest, SC: 800-476-4103 Simi Valley, CA: 800-423-0150 Fax: 864-834-3518 www.tsbrass.com

This Space for Architect/Engineer Approval

Job Name _____ Date _____

Model Specified _____ Quantity _____

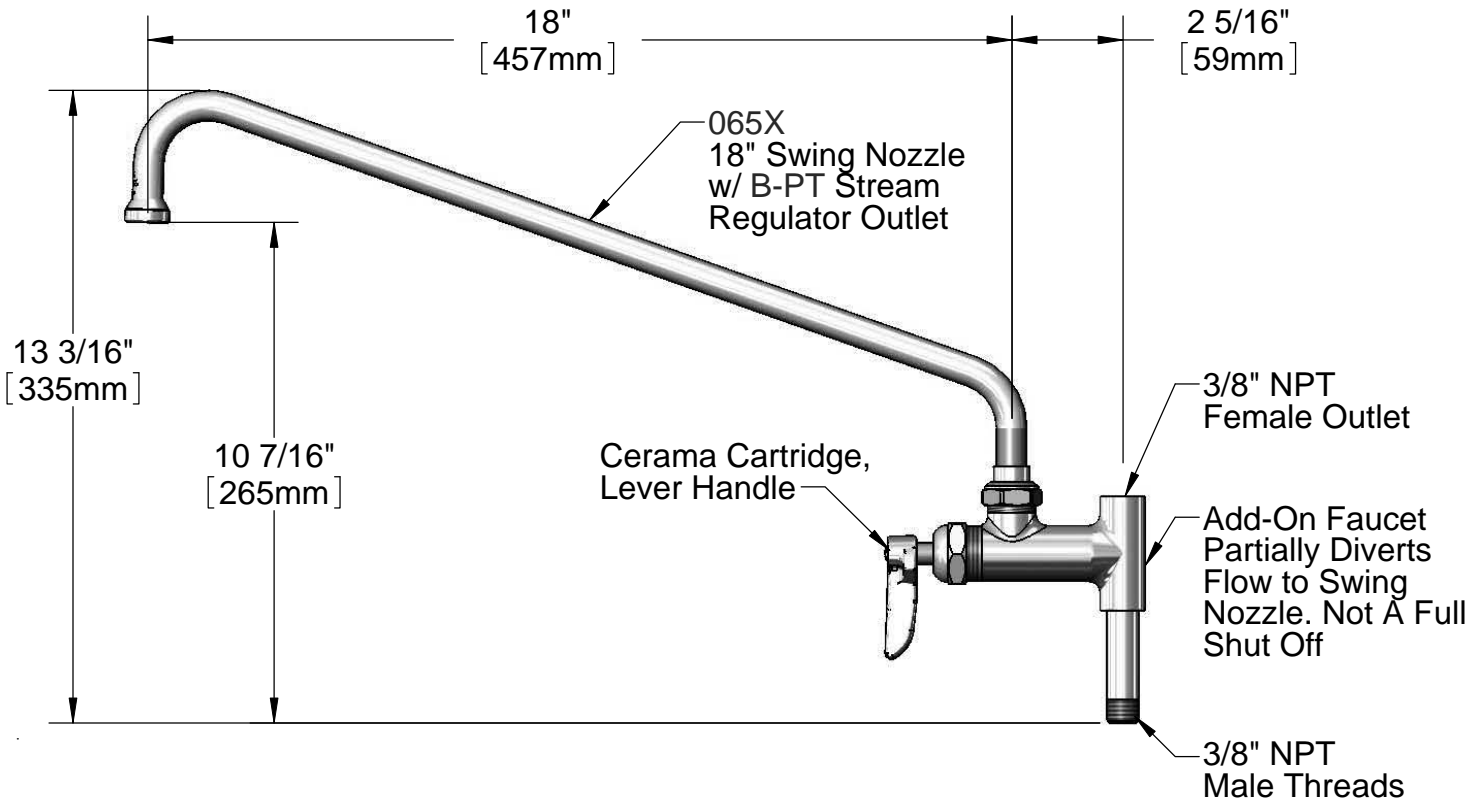
Customer/Wholesaler _____

Contractor _____

Architect/Engineer _____



ADA Compliant



Product Specifications:
Add-On Faucet w/ Cerama Cartridge & 18" Swing Nozzle

Drawn KJG	Checked GEF	Approved JHB
Scale: 1:4		Date: 10/12/10



T&S BRASS AND BRONZE WORKS, INC.

2 Saddleback Cove / P.O. Box 1088
Travelers Rest, SC 29690



REG. #A2601
ISO #9001

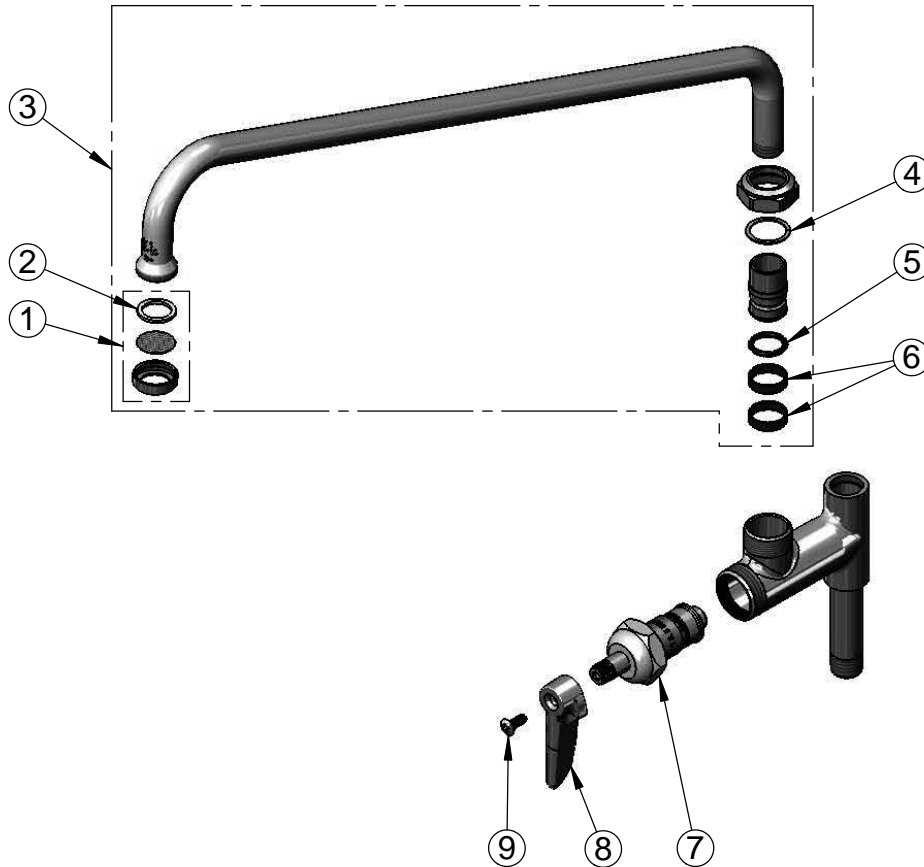
Model No.

B-0157-CR

Item No.

Travelers Rest, SC: 800-476-4103 Simi Valley, CA: 800-423-0150 Fax: 864-834-3518 www.tsbrass.com

ITEM NO.	SALES NO.	DESCRIPTION
1	B-PT	Stream Regulator Outlet
2	001048-45	Nozzle Tip Washer
3	065X	18" Swing Nozzle
4	009538-45	Swivel Washer
5	001074-45	O-Ring
6	011429-45	Swivel Sleeves (2)
7	011278-25	Cerama Cartridge RTC
8	001638-45	Lever Handle
9	000922-45	Lever Handle Screw



Product Specifications:

Add-On Faucet w/ Cerama Cartridge & 18" Swing Nozzle

Drawn

KJG

Checked

GEF

Approved

JHB

Scale:

NTS

Date:

10/12/10