



T&S BRASS AND BRONZE WORKS, INC.

2 Saddleback Cove / P.O. Box 1088
Travelers Rest, SC 29690



REG. #A2601
ISO #9001

Model No.

B-0158-CR

Item No.

Travelers Rest, SC: 800-476-4103 Simi Valley, CA: 800-423-0150 Fax: 864-834-3518 www.tsbrass.com

This Space for Architect/Engineer Approval

Job Name _____ Date _____

Model Specified _____ Quantity _____

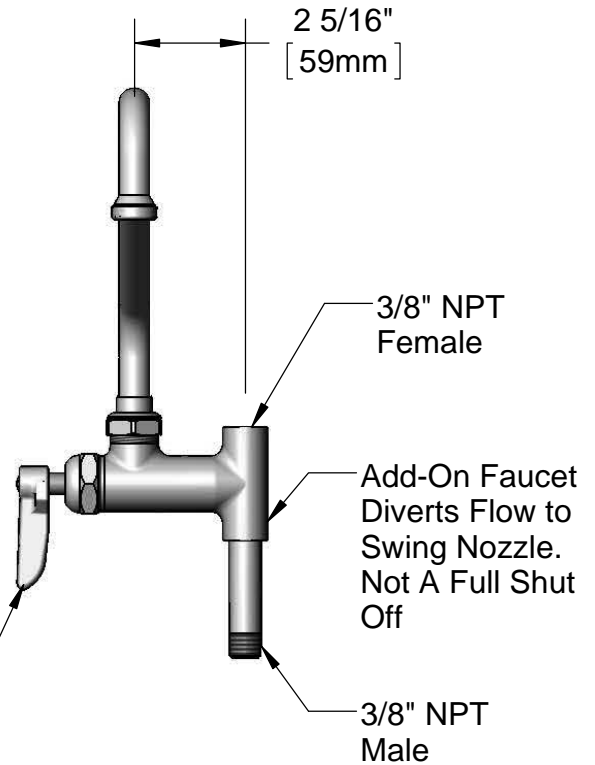
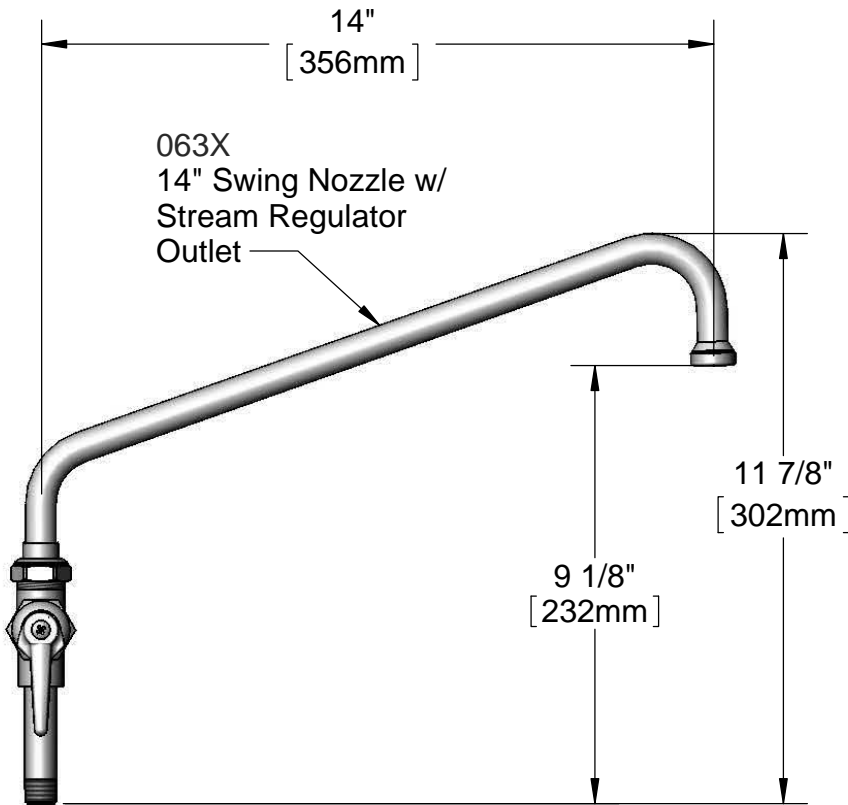
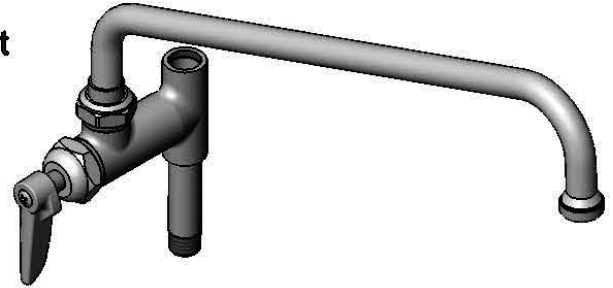
Customer/Wholesaler _____

Contractor _____

Architect/Engineer _____



ADA Compliant



Cerama Cartridge
w/ Lever Handle

Product Specifications:

**Add-On Faucet w/ Cerama Cartridge w/ Check Valve,
14" Swing Nozzle, & Lever Handle**

Drawn
KJG

Checked
DMH

Approved
JHB

Scale:

1:4

Date:

08/29/11



T&S BRASS AND BRONZE WORKS, INC.

2 Saddleback Cove / P.O. Box 1088
Travelers Rest, SC 29690



REG. #A2601
ISO #9001

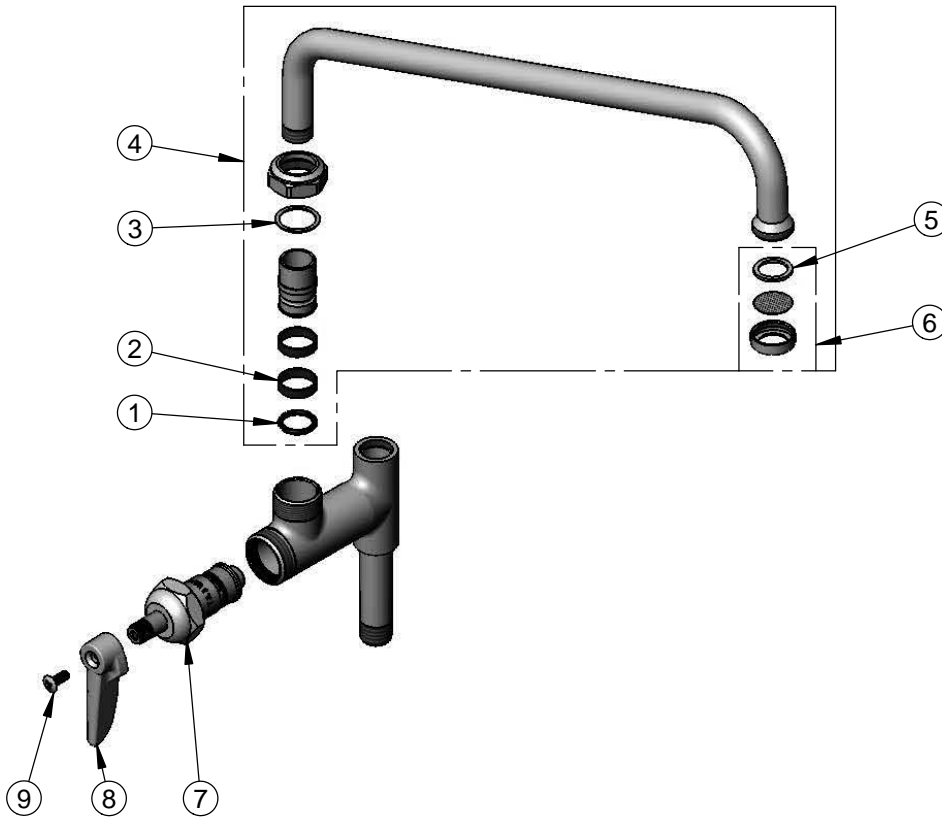
Model No.

B-0158-CR

Item No.

Travelers Rest, SC: 800-476-4103 Simi Valley, CA: 800-423-0150 Fax: 864-834-3518 www.tsbrass.com

ITEM NO.	SALES NO.	DESCRIPTION
1	001074-45	O-Ring
2	011429-45	Swivel Sleeves (2)
3	009538-45	Swivel Washer
4	063X	14" Swing Nozzle Assembly
5	001048-45	Nozzle Tip Washer
6	B-PT	Stream Regulator Outlet
7	011278-25	Cerama Cartridge, RTC
8	001638-45	Lever Handle
9	000922-45	Lever Handle Screw



Product Specifications:

Add-On Faucet w/ Cerama Cartridge w/ Check Valve,
14" Swing Nozzle, & Lever Handle

Drawn

KJG

Checked

DMH

Approved

JHB

Scale:

NTS

Date:

08/29/11