



T&S BRASS AND BRONZE WORKS, INC.

2 Saddleback Cove / P.O. Box 1088
Travelers Rest, SC 29690

Model No.

B-0163

Item No.

Travelers Rest, SC: 800-476-4103 • Simi Valley, CA: 800-423-0150 • Fax: 864-834-3518 • www.tsbrass.com

This Space for Architect/Engineer Approval

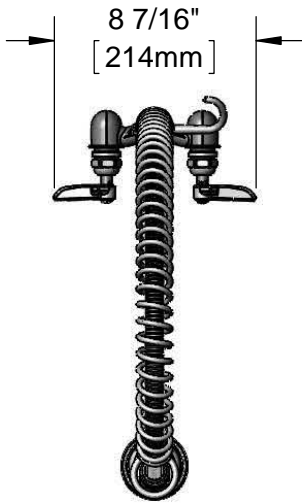
Job Name _____ Date _____

Model Specified _____ Quantity _____

Customer/Wholesaler _____

Contractor _____

Architect/Engineer _____



44" Flexible Stainless Steel Hose w/ Spring & Spray Valve

Items Not Shown for Clarity

Finger Hook

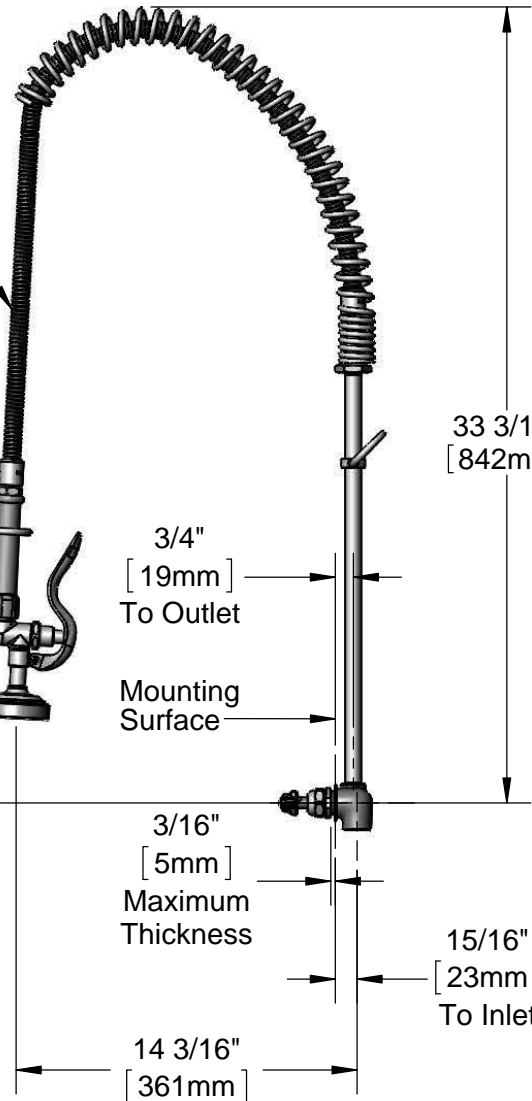
3/8" NPT x 18" Riser

B-0107 Spray Valve
1.42 GPM

Lever Handles w/ Color Coded Indexes

1/2" NPT [13mm] Female Inlets

4" [102mm]



3 9/16" [91mm]

3/4" [19mm] To Outlet

Mounting Surface

3/16" [5mm] Maximum Thickness

33 3/16" [842mm]

15/16" [23mm] To Inlet

14 3/16" [361mm]

Rough-In Requirement:
(2) ϕ 1 1/8" [29mm] Mounting Holes

Note:
Cross Flow Prevention Devices Supplied by Others

Product Specifications:

4" Concealed Wall Mount Pre-Rinse Mixing Faucet, Lever Handles, 18" Riser, 44" Flexible Stainless Steel Hose, 1.42 GPM Spray Valve & 1/2" NPT Female Inlets

Product Compliance:

ASME A112.18.1 / CSA B125.1
NSF 61 - Section 9
NSF 372 (Low Lead Content)
EPA Act 2005 (PRSV)



T&S BRASS AND BRONZE WORKS, INC.

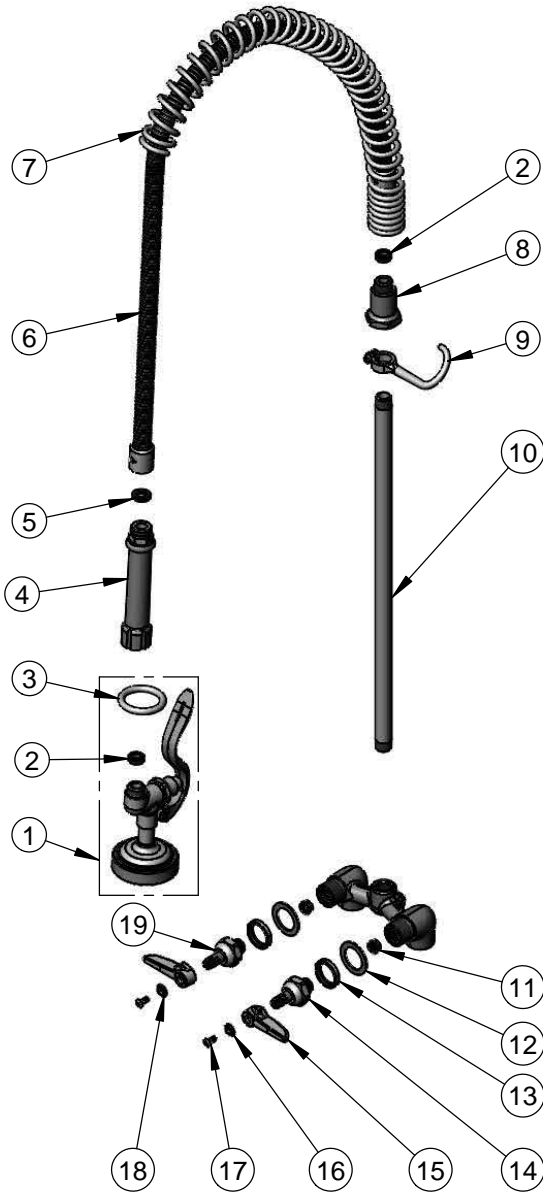
2 Saddleback Cove / P.O. Box 1088
Travelers Rest, SC 29690

Model No.

B-0163

Item No.

Travelers Rest, SC: 800-476-4103 • Simi Valley, CA: 800-423-0150 • Fax: 864-834-3518 • www.tsbrass.com



ITEM NO.	SALES NO.	DESCRIPTION
1	B-0107	1.42 GPM Spray Valve
2	010476-45	#27 Washer
3	000907-45	Spray Valve Hold Down Ring
4	002987-40	Grip Handle
5	001014-45	Washer, B-0100 Hose Barrel
6	B-0044-H2A	44" Flexible Stainless Steel Hose, Less Handle
7	000888-45	EasyInstall Overhead Spring
8	000821-40	Spring Body
9	004R	Finger Hook
10	000369-40	3/8" NPT x 18" Riser
11	000763-20	Seat
12	000995-45	Washer
13	000712-25	Escutcheon Lock Nut
14	009753-25	B-1100 Spindle Assembly, LTC
15	001638-45	Lever Handle
16	001660-45	Blue Index-CW
17	000922-45	Lever Handle Screw
18	001661-45	Red Index-HW
19	009754-25	B-1100 Spindle Assembly, RTC

Product Specifications:

4" Concealed Wall Mount Pre-Rinse Mixing Faucet, Lever Handles, 18" Riser, 44" Flexible Stainless Steel Hose, 1.42 GPM Spray Valve & 1/2" NPT Female Inlets

Product Compliance:

ASME A112.18.1 / CSA B125.1
NSF 61 - Section 9
NSF 372 (Low Lead Content)
EPA Act 2005 (PRSV)