



T&S BRASS AND BRONZE WORKS, INC.

2 Saddleback Cove / P.O. Box 1088
Travelers Rest, SC 29690

Model No.

B-0165-C35-GGB

Item No.

Travelers Rest, SC: 800-476-4103 • Simi Valley, CA: 800-423-0150 • Fax: 864-834-3518 • www.tsbrass.com

This Space for Architect/Engineer Approval

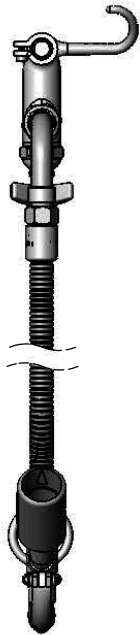
Job Name _____ Date _____

Model Specified _____ Quantity _____

Customer/Wholesaler _____

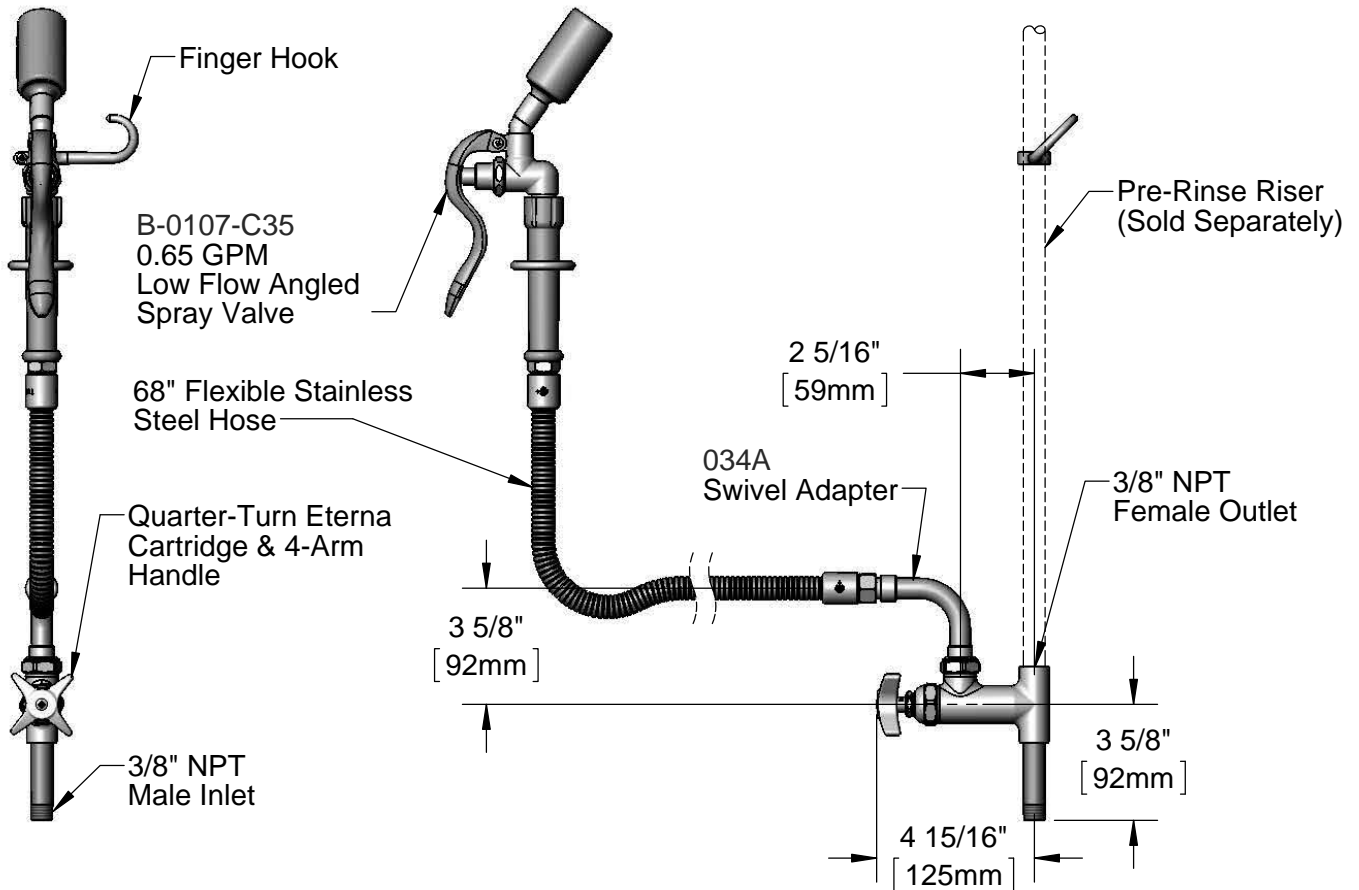
Contractor _____

Architect/Engineer _____



Notes:

1. The Add-On Faucet is an Addition to Pre-Rinse Units and is Installed in Outlets of Base Mixing Faucets of Units Before Fitting Riser Pipes
2. 4-Arm Handle Controls Water On-Off Thru Washdown Hose Only. Pressure is Always "On" in the Riser Pipe (Controlled by Base Mixing Faucet)



Product Specifications:

Washdown Hose Unit, Quarter-Turn Eterna Cartridge, 4-Arm Handle, 68" Flexible Stainless Steel Hose, 0.65 GPM Low Flow Angled Spray Valve & Finger Hook

Product Compliance:

NSF 61 - Section 9
NSF 372 (Low Lead Content)
EPA 2005 (PRSV)



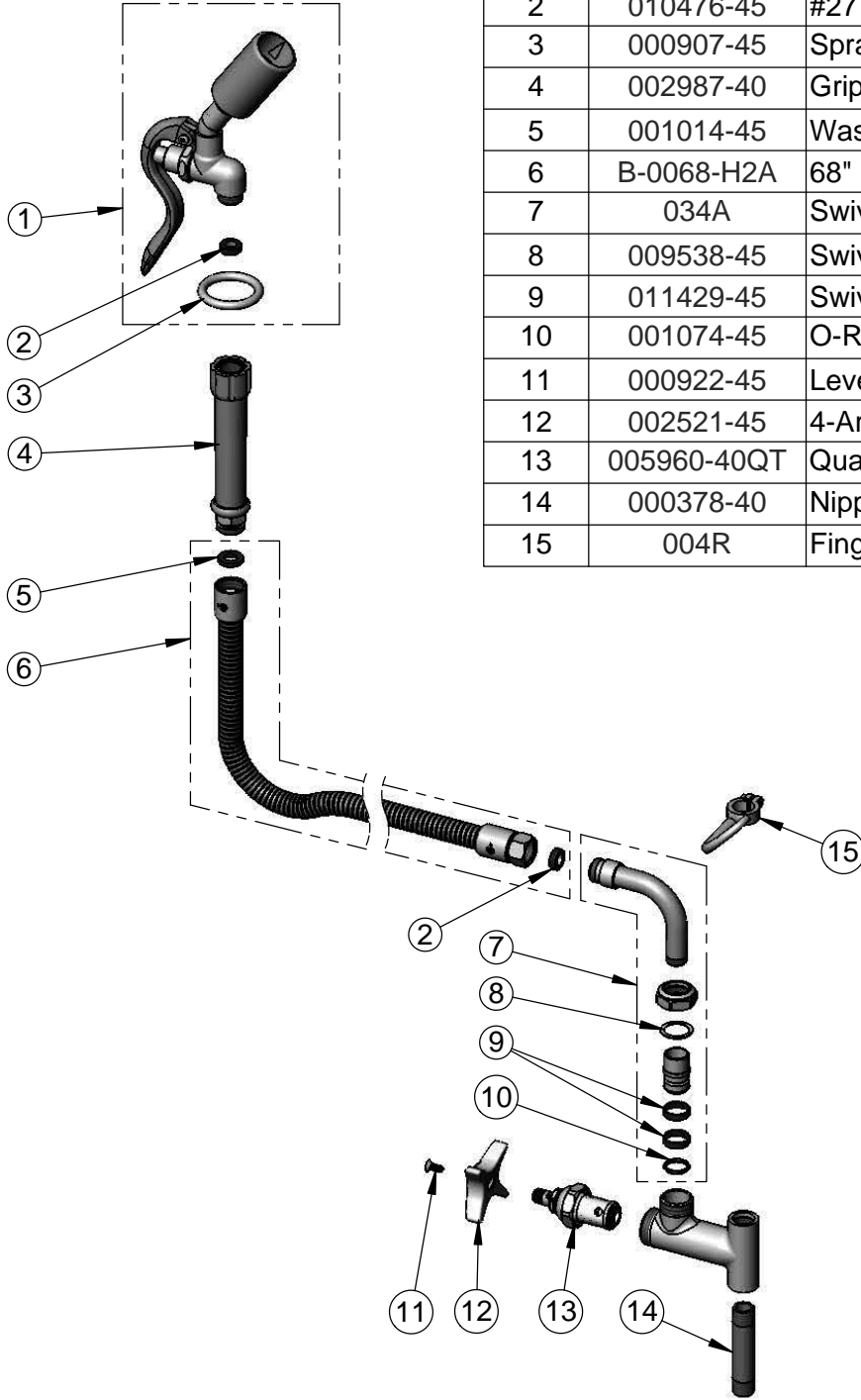
T&S BRASS AND BRONZE WORKS, INC.
 2 Saddleback Cove / P.O. Box 1088
 Travelers Rest, SC 29690

Model No.
B-0165-C35-GGB

Item No.

Travelers Rest, SC: 800-476-4103 • Simi Valley, CA: 800-423-0150 • Fax: 864-834-3518 • www.tsbrass.com

ITEM NO.	SALES NO.	DESCRIPTION
1	B-0107-C35	0.65 GPM Low Flow Angled Spray Valve
2	010476-45	#27 Washer
3	000907-45	Spray Valve Hold Down Ring
4	002987-40	Grip Handle
5	001014-45	Washer, B-0100 Hose Barrel
6	B-0068-H2A	68" Flexible Stainless Steel Hose, Less Handle
7	034A	Swivel Adapter
8	009538-45	Swivel Washer
9	011429-45	Swivel Sleeves (2)
10	001074-45	O-Ring
11	000922-45	Lever Handle Screw
12	002521-45	4-Arm Handle
13	005960-40QT	Quarter-Turn Eterna Cartridge, RTC
14	000378-40	Nipple, 3/8" NPT x 3"
15	004R	Finger Hook



Product Specifications:
 Washdown Hose Unit, Quarter-Turn Eterna Cartridge, 4-Arm Handle,
 68" Flexible Stainless Steel Hose, 0.65 GPM Low Flow Angled Spray
 Valve & Finger Hook

Product Compliance:
 NSF 61 - Section 9
 NSF 372 (Low Lead Content)
 EPA Act 2005 (PRSV)