



**T&S BRASS AND BRONZE WORKS, INC.**

2 Saddleback Cove / P.O. Box 1088  
Travelers Rest, SC 29690

Model No.

**B-0167**

Item No.

Travelers Rest, SC: 800-476-4103 • Simi Valley, CA: 800-423-0150 • Fax: 864-834-3518 • www.tsbrass.com

This Space for Architect/Engineer Approval

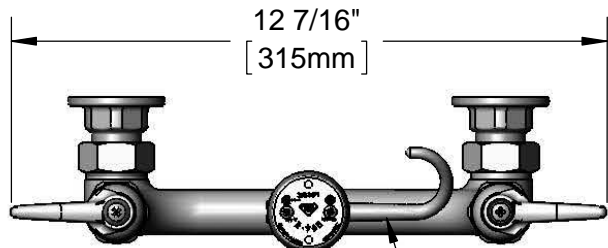
Job Name \_\_\_\_\_ Date \_\_\_\_\_

Model Specified \_\_\_\_\_ Quantity \_\_\_\_\_

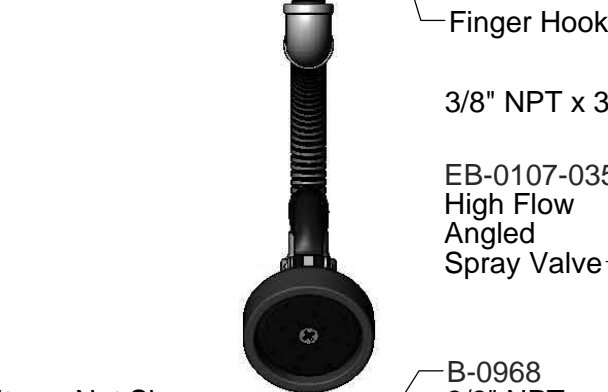
Customer/Wholesaler \_\_\_\_\_

Contractor \_\_\_\_\_

Architect/Engineer \_\_\_\_\_



12 7/16"  
[315mm]



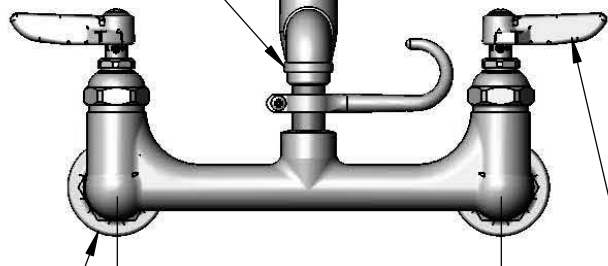
Finger Hook

3/8" NPT x 3/4-14 UN Adapter

EB-0107-035  
High Flow  
Angled  
Spray Valve

Items Not Shown  
For Clarity

B-0968  
3/8" NPT  
Vacuum Breaker

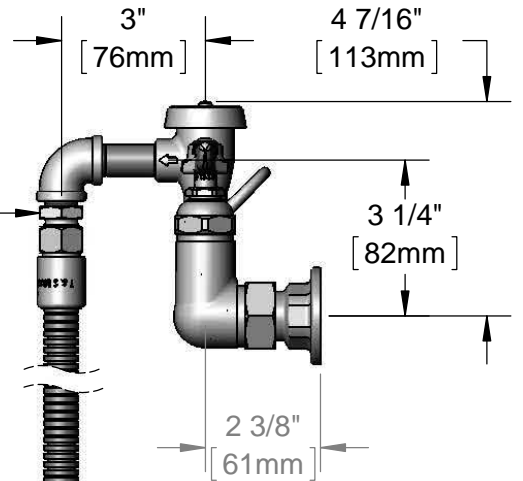


8"

[203mm]  
Adjustable From  
7 3/4" to 8 1/4"  
[197mm to 210mm]

Ø 2" [51mm]  
Flanges w/  
1/2" NPT  
Female Inlets

Eterna Cartridges w/  
Spring Checks &  
Lever Handles w/  
Color Coded Indexes



3"

[76mm]

4 7/16"

[113mm]

3 1/4"

[82mm]

2 3/8"

[61mm]



68" Flexible  
Stainless  
Steel Hose

Product Specifications:

8" Wall Mount Mixing Faucet, Eterna Cartridges w/ Spring Checks, Lever Handles, 3/8" NPT Vacuum Breaker, High Flow Angled Spray Valve w/ 68" Flexible Stainless Steel Hose & 1/2" NPT Female Inlet

Product Compliance:

ASME A112.18.1 / CSA B125.1  
NSF 61 - Section 9  
NSF 372 (Low Lead Content)  
EPA Act 2005 Non-Compliant (PRSV)  
ASSE 1001



# T&S BRASS AND BRONZE WORKS, INC.

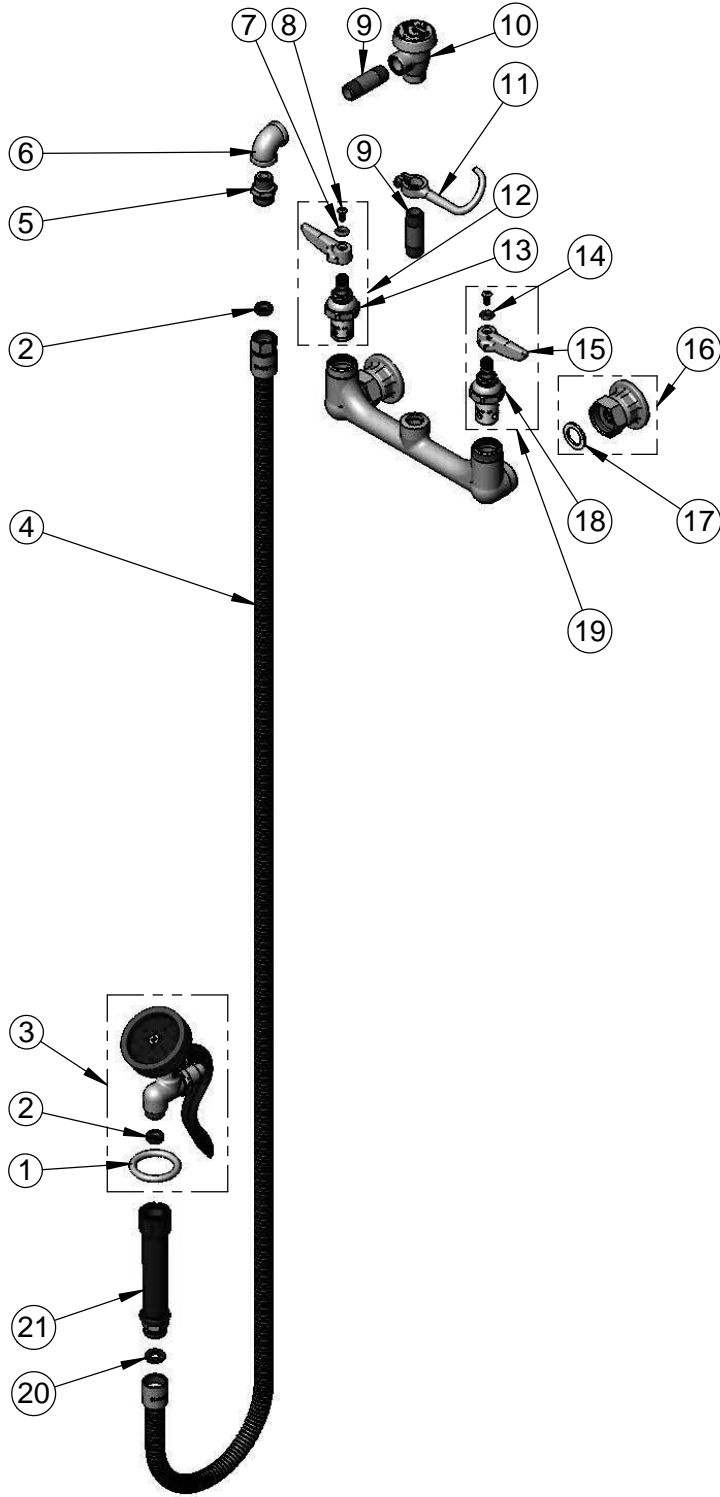
2 Saddleback Cove / P.O. Box 1088  
Travelers Rest, SC 29690

Model No.

**B-0167**

Item No.

Travelers Rest, SC: 800-476-4103 • Simi Valley, CA: 800-423-0150 • Fax: 864-834-3518 • www.tsbrass.com



ITEM NO.	SALES NO.	DESCRIPTION
1	000907-45	Spray Valve Hold Down Ring
2	010476-45	#27 Washer
3	EB-0107-035	High Flow Angled Spray Valve (Blue)
4	B-0068-H2A	68" Flexible Stainless Steel Hose, Less Handle
5	053A	Adapter, 3/8" NPT Male x 3/4-14 UN
6	001355-40	3/8" NPT Elbow
7	001661-45	Red Index-HW
8	000922-45	Lever Handle Screw
9	000357-40	Nipple, 3/8" NPT x 2"
10	B-0968	3/8" NPT Vacuum Breaker
11	004R	Finger Hook
12	002712-40	Eterna Cartridge, RTC w/ Spring Check, Lever Handle, Index & Screw
13	012443-40	Eterna Cartridge, RTC w/ Spring Check
14	001660-45	Blue Index-CW
15	001638-45	Lever Handle
16	00AA	1/2" NPT Female Eccentric Flange
17	001019-45	Coupling Nut Washer
18	012442-40	Eterna Cartridge, LTC w/ Spring Check
19	002711-40	Eterna Cartridge, LTC w/ Spring Check, Lever Handle, Index & Screw
20	001014-45	Washer, B-0100 Hose Barrel
21	011482-40	Blue Grip Handle

**Product Specifications:**

8" Wall Mount Mixing Faucet, Eterna Cartridges w/ Spring Checks, Lever Handles, 3/8" NPT Vacuum Breaker, High Flow Angled Spray Valve w/ 68" Flexible Stainless Steel Hose & 1/2" NPT Female Inlet

**Product Compliance:**

ASME A112.18.1 / CSA B125.1  
NSF 61 - Section 9  
NSF 372 (Low Lead Content)  
EPA Act 2005 Non-Compliant (PRSV)  
ASSE 1001