

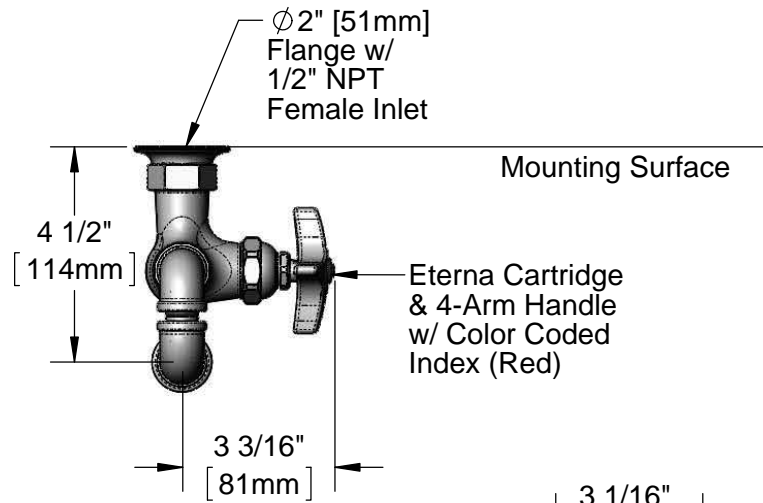


T&S BRASS AND BRONZE WORKS, INC.
 2 Saddleback Cove / P.O. Box 1088
 Travelers Rest, SC 29690

Model No.
B-0169-102C-96H

Item No.

Travelers Rest, SC: 800-476-4103 • Simi Valley, CA: 800-423-0150 • Fax: 864-834-3518 • www.tsbrass.com



This Space for Architect/Engineer Approval

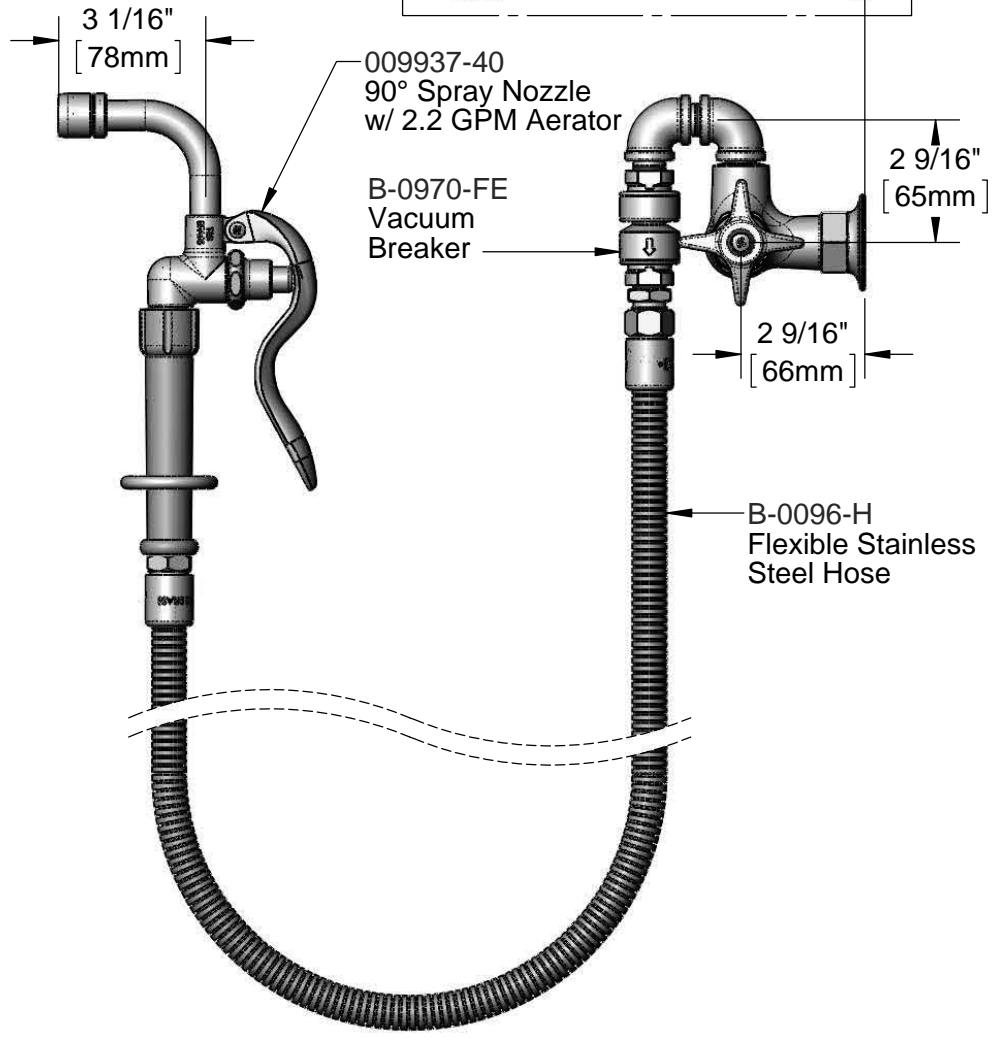
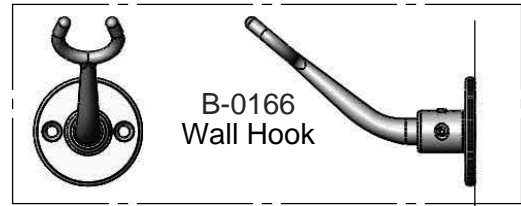
Job Name _____ Date _____

Model Specified _____ Quantity _____

Customer/Wholesaler _____

Contractor _____

Architect/Engineer _____



Product Specifications:
 Wall Mount Single Faucet w/ Eterna Cartridge, 96" Flexible Stainless Steel Hose, 90° Spray Nozzle w/ 2.2 GPM Aerator, Vacuum Breaker, Wall Hook & 1/2" NPT Female Inlet

Drawn DHL	Checked DMH	Approved JHB
Scale: 1:4		Date: 02/21/13



T&S BRASS AND BRONZE WORKS, INC.

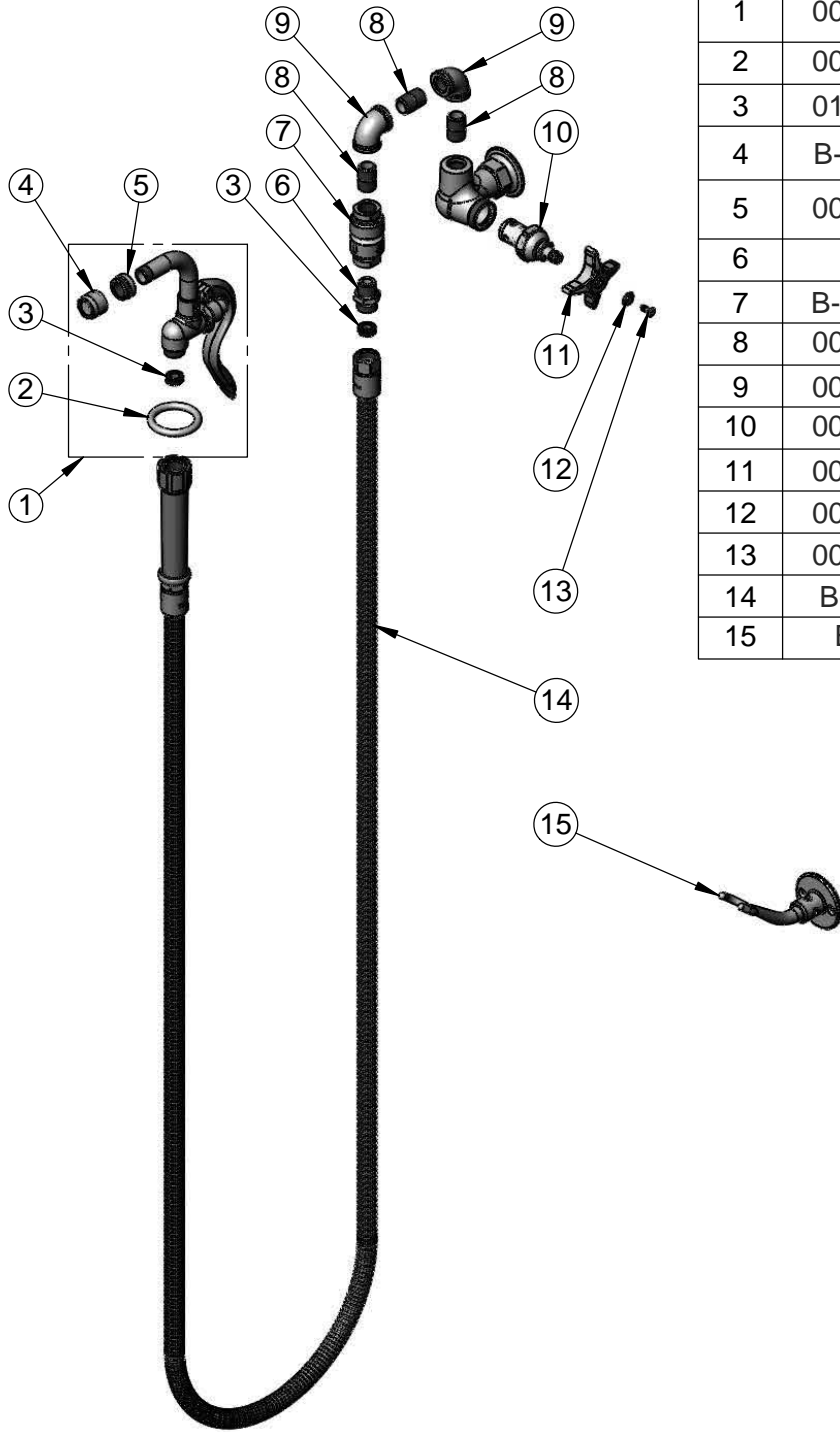
2 Saddleback Cove / P.O. Box 1088
Travelers Rest, SC 29690

Model No.

B-0169-102C-96H

Item No.

Travelers Rest, SC: 800-476-4103 • Simi Valley, CA: 800-423-0150 • Fax: 864-834-3518 • www.tsbrass.com



ITEM NO.	SALES NO.	DESCRIPTION
1	009937-40	90° Spray Nozzle w/ 2.2 GPM Aerator
2	000907-45	Spray Valve Hold Down Ring
3	010476-45	#27 Washer
4	B-0199-01	2.2 GPM Aerator, 55/64"-27 UN Female
5	000554-25	Adapter, 55/64-27 Male x 5/8-27 Female
6	053A	Adapter, 3/8" NPT x 3/4"-14 UNS
7	B-0970-FE	3/8" NPT Vacuum Breaker
8	002535-25	3/8" Close Nipple
9	001355-40	Elbow, 3/8 NPT
10	005960-40	Eterna Cartridge, RTC
11	002521-45	4-Arm Handle
12	001661-45	Red Index-HW
13	000922-45	Lever Handle Screw
14	B-0096-H	96" Flex Stainless Steel Hose
15	B-0166	Wall Hook w/ Mounting Hardware

Product Specifications:

Wall Mount Single Faucet w/ Eterna Cartridge, 96" Flexible Stainless Steel Hose, 90° Spray Nozzle w/ 2.2 GPM Aerator, Vacuum Breaker, Wall Hook & 1/2" NPT Female Inlet

Drawn

DHL

Checked

DMH

Approved

JHB

Scale:

NTS

Date:

02/21/13