



T&S BRASS AND BRONZE WORKS, INC.
 2 Saddleback Cove / P.O. Box 1088
 Travelers Rest, SC 29690

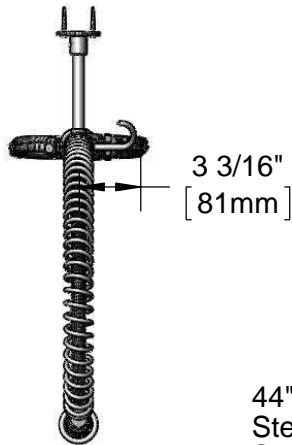
Model No.
B-0173-BC

Item No.

Travelers Rest, SC: 800-476-4103 • Simi Valley, CA: 800-423-0150 • Fax: 864-834-3518 • www.tsbrass.com

This Space for Architect/Engineer Approval

Job Name _____ Date _____
 Model Specified _____ Quantity _____
 Customer/Wholesaler _____
 Contractor _____
 Architect/Engineer _____



3 3/16"
 [81mm]

44" Flexible Stainless Steel Hose w/ Spring & Spray Valve

Items Not Shown for Clarity

Finger Hook

3/8" NPT x 24" Riser

B-0107-C Spray Valve
 0.65 GPM

Eterna Cartridge & Lever Handle

Mounting Surface

Temperature Mixing Valve w/ Integral Check Valves

18" Flexible Stainless Steel Supply Hoses

Compression Fittings for 5/8" O.D. Copper Tubing (Remove Compression Nut for 1/2" NPSM Male)

B-0109-01 Wall Bracket

42 5/16"
 [1075mm]

11 11/16"
 [298mm]

14 1/8"
 [358mm]

1 1/4"
 [32mm] Maximum Thickness

Ø2"
 [51mm] Flange

Rough-In Requirement:
 Ø1" [25mm] Mounting Hole

Product Specifications:

Pre-Rinse Unit:
 Single Deck Mount Faucet w/ Eterna Cartridge, 24" Riser, Overhead Spring, 44" Flexible Stainless Steel Hose, 0.65 GPM Spray Valve, Wall Bracket, Temperature Control Mixing Valve w/ Integral Check Valves & 18" Flexible Stainless Steel Supply Hoses w/ 1/2" NPSM Male Inlets

Product Compliance:

ASME A112.18.1 / CSA B125.1
 NSF 61 - Section 9
 NSF 372 (Low Lead Content)
 EPA Act 2005 (PRSV)
 EPA WaterSense (PRSV)



T&S BRASS AND BRONZE WORKS, INC.

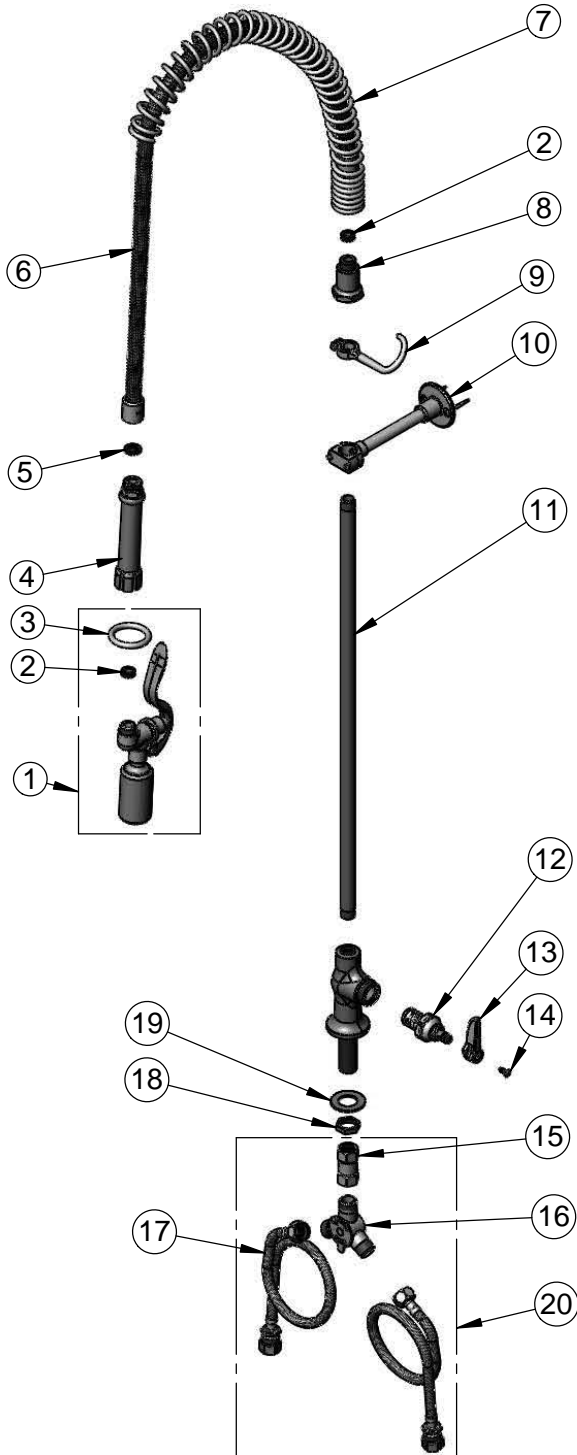
2 Saddleback Cove / P.O. Box 1088
Travelers Rest, SC 29690

Model No.

B-0173-BC

Item No.

Travelers Rest, SC: 800-476-4103 • Simi Valley, CA: 800-423-0150 • Fax: 864-834-3518 • www.tsbrass.com



ITEM NO.	SALES NO.	DESCRIPTION
1	B-0107-C	0.65 GPM Spray Valve
2	010476-45	#27 Washer
3	000907-45	Spray Valve Hold Down Ring
4	002987-40	Grip Handle
5	001014-45	Washer, B-0100 Hose Barrel
6	B-0044-H2A	44" Flexible Stainless Steel Hose, Less Handle
7	000888-45	EasyInstall Overhead Spring
8	000821-40	Spring Body
9	004R	Finger Hook
10	B-0109-01	6" Wall Bracket
11	000372-40	3/8" NPT x 24" Riser
12	005960-40	Eterna Cartridge RTC
13	001638-45	Lever Handle
14	000922-45	Lever Handle Screw
15	017506-45	1/2" NPSM Swivel Coupling
16	5EF-0006	Mechanical Mixing Valve
17	019192-45	Flexible Connector Hose (2)
18	002954-45	Shank Lock Nut
19	000999-45	Brass Lock Washer
20	019321-40	Temperature Control Mixing Valve w/ Flexible 1/2" NPSM Male Inlets

Product Specifications:

Pre-Rinse Unit:

Single Deck Mount Faucet w/ Eterna Cartridge, 24" Riser, Overhead Spring, 44" Flexible Stainless Steel Hose, 0.65 GPM Spray Valve, Wall Bracket, Temperature Control Mixing Valve w/ Integral Check Valves & 18" Flexible Stainless Steel Supply Hoses w/ 1/2" NPSM Male Inlets

Product Compliance:

ASME A112.18.1 / CSA B125.1
NSF 61 - Section 9
NSF 372 (Low Lead Content)
EPA Act 2005 (PRSV)
EPA WaterSense (PRSV)