



**T&S BRASS AND BRONZE WORKS, INC.**

2 Saddleback Cove / P.O. Box 1088  
Travelers Rest, SC 29690

Model No.

**B-0173-BR**

Item No.

Travelers Rest, SC: 800-476-4103 • Simi Valley, CA: 800-423-0150 • Fax: 864-834-3518 • www.tsbrass.com

**EPAct 2005 Compliant**

This Space for Architect/Engineer Approval

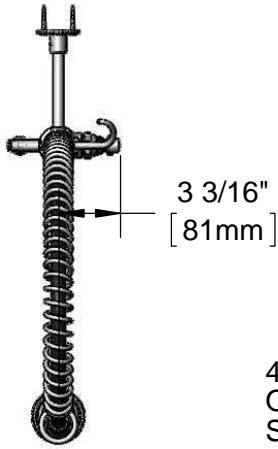
Job Name \_\_\_\_\_ Date \_\_\_\_\_

Model Specified \_\_\_\_\_ Quantity \_\_\_\_\_

Customer/Wholesaler \_\_\_\_\_

Contractor \_\_\_\_\_

Architect/Engineer \_\_\_\_\_



44" PVC Hose w/  
Overhead Spring &  
Spray Valve

Items Not Shown  
for Clarity

Finger Hook

3/8" NPT x 24" Riser

B-0107  
Spray Valve  
1.42 GPM

Eterna Cartridge  
& Lever Handle

Mounting Surface

B-0173  
Spreader Assembly w/  
Volume Controls

Check Valves w/  
1/2" BSP Male  
Threads

B-0109-01  
Wall Bracket

42 5/16"  
[1075mm]

12 3/16"  
[310mm]

14 1/8"  
[359mm]

1 1/4"  
[32mm]  
Maximum  
Thickness

Ø2"  
[51mm]  
Flange

4"  
[102mm]

Rough-In Requirement:  
Ø1" [25mm] Mounting Hole

Product Specifications:  
Pre-Rinse Unit:  
Single Deck Mount Faucet w/ Eterna Cartridge, Undercounter  
Spreader Assembly, 24" Riser, Overhead Spring, 44" PVC Hose,  
B-0107 Spray Valve & Wall Bracket

Drawn  
**KJG**

Checked  
**GEF**

Approved  
**JHB**

Scale:  
**1:10**

Date:  
**05/22/12**



# T&S BRASS AND BRONZE WORKS, INC.

2 Saddleback Cove / P.O. Box 1088

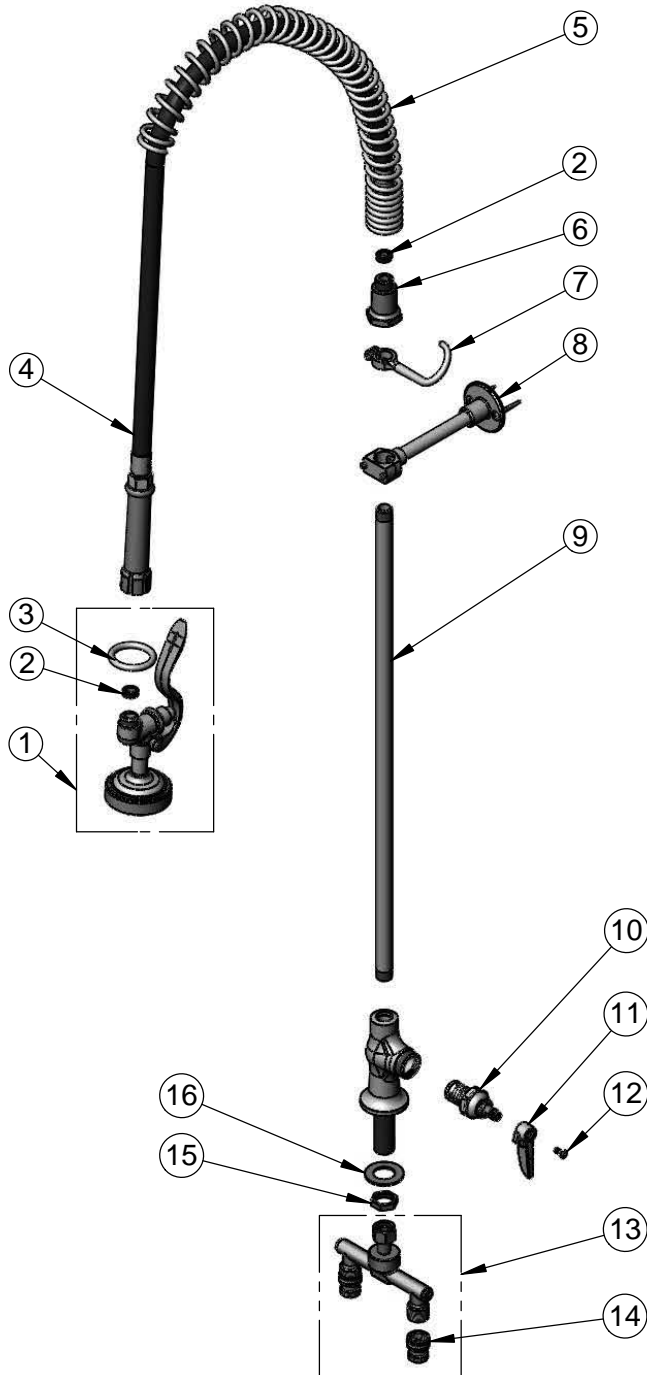
Travelers Rest, SC 29690

Model No.

**B-0173-BR**

Item No.

Travelers Rest, SC: 800-476-4103 • Simi Valley, CA: 800-423-0150 • Fax: 864-834-3518 • www.tsbrass.com



ITEM NO.	SALES NO.	DESCRIPTION
1	B-0107	Spray Valve Assembly w/ Hold Down Ring & Washer
2	010476-45	#27 Washer
3	000907-45	Spray Valve Hold Down Ring
4	B-0044-R	44" PVC Hose Assembly w/ Handle
5	000888-45	EasyInstall Overhead Spring
6	000821-40	Spring Body
7	004R	Finger Hook
8	B-0109-01	6" Wall Bracket Assembly
9	000372-40	3/8" NPT x 24" Long Riser
10	005960-40	Eterna Cartridge RTC
11	001638-45	Lever Handle
12	000922-45	Lever Handle Screw
13	002899-40	1/2" BSP Spreader w/ Check Valves
14	010321-45	Check Valve Assembly
15	002954-45	Shank Lock Nut
16	000999-45	Brass Lock Washer

**Product Specifications:**

**Pre-Rinse Unit:**

Single Deck Mount Faucet w/ Eterna Cartridge, Undercounter Spreader Assembly, 24" Riser, Overhead Spring, 44" PVC Hose, B-0107 Spray Valve & Wall Bracket

Drawn

**KJG**

Checked

**GEF**

Approved

**JHB**

Scale:

**NTS**

Date:

**05/22/12**