



**T&S BRASS AND BRONZE WORKS, INC.**

2 Saddleback Cove / P.O. Box 1088  
Travelers Rest, SC 29690

Model No.

**B-0173-C**

Item No.

Travelers Rest, SC: 800-476-4103 • Simi Valley, CA: 800-423-0150 • Fax: 864-834-3518 • www.tsbrass.com

This Space for Architect/Engineer Approval

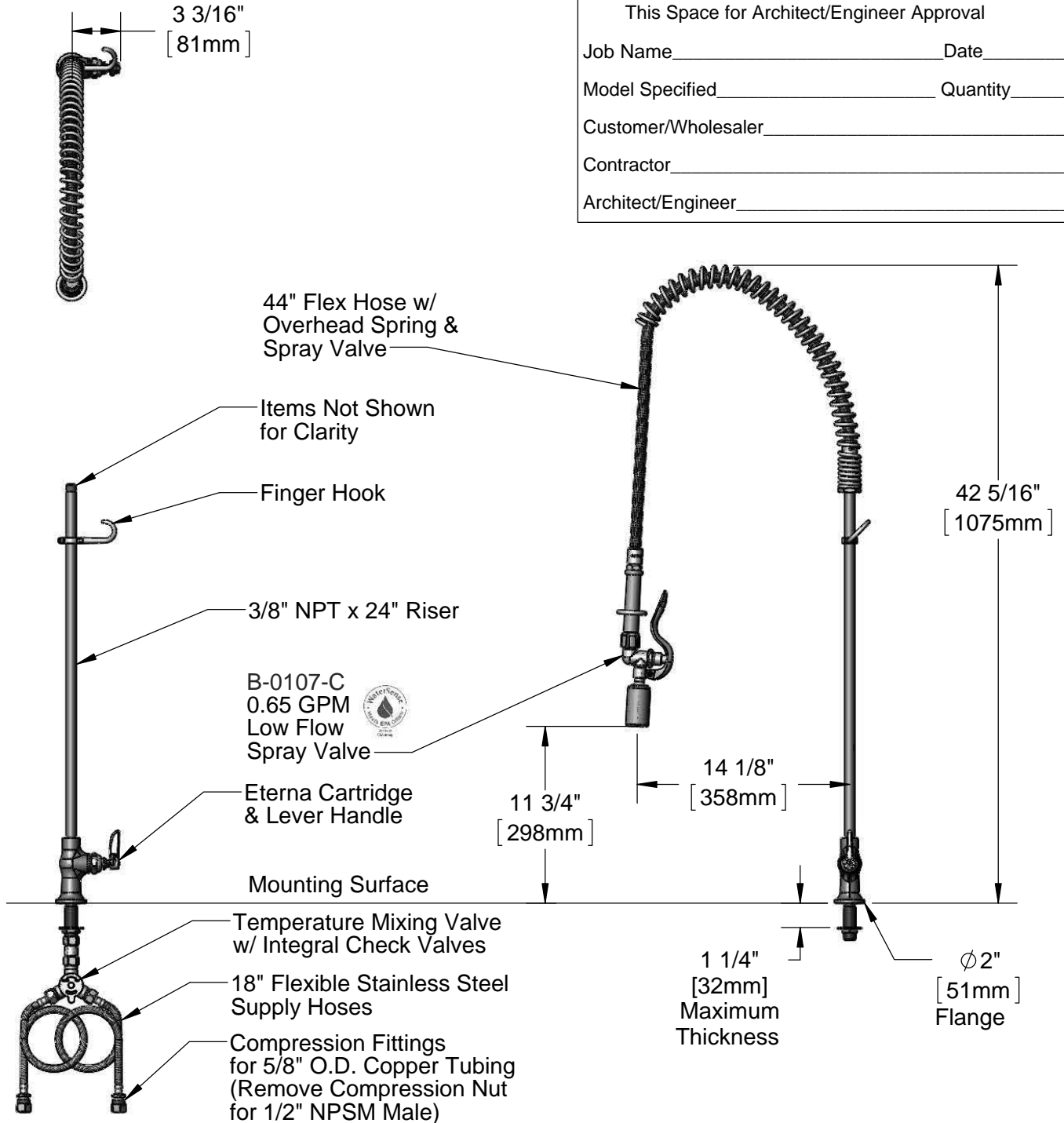
Job Name \_\_\_\_\_ Date \_\_\_\_\_

Model Specified \_\_\_\_\_ Quantity \_\_\_\_\_

Customer/Wholesaler \_\_\_\_\_

Contractor \_\_\_\_\_

Architect/Engineer \_\_\_\_\_



Rough-In Requirement:  
Ø 1" [25mm] Mounting Hole

Product Specifications:

Pre-Rinse Unit:

Single Hole, Single Temperature Deck Mount Faucet, Eterna Cartridge, 24" Riser, Overhead Spring, 44" Flexible Stainless Steel Hose, 0.65 GPM Low Flow Spray Valve, Temperature Control Mixing Valve w/ Integral Check Valves & 18" Flexible Stainless Steel Supply Hoses w/ 1/2" NPSM Male Inlets

Product Compliance:

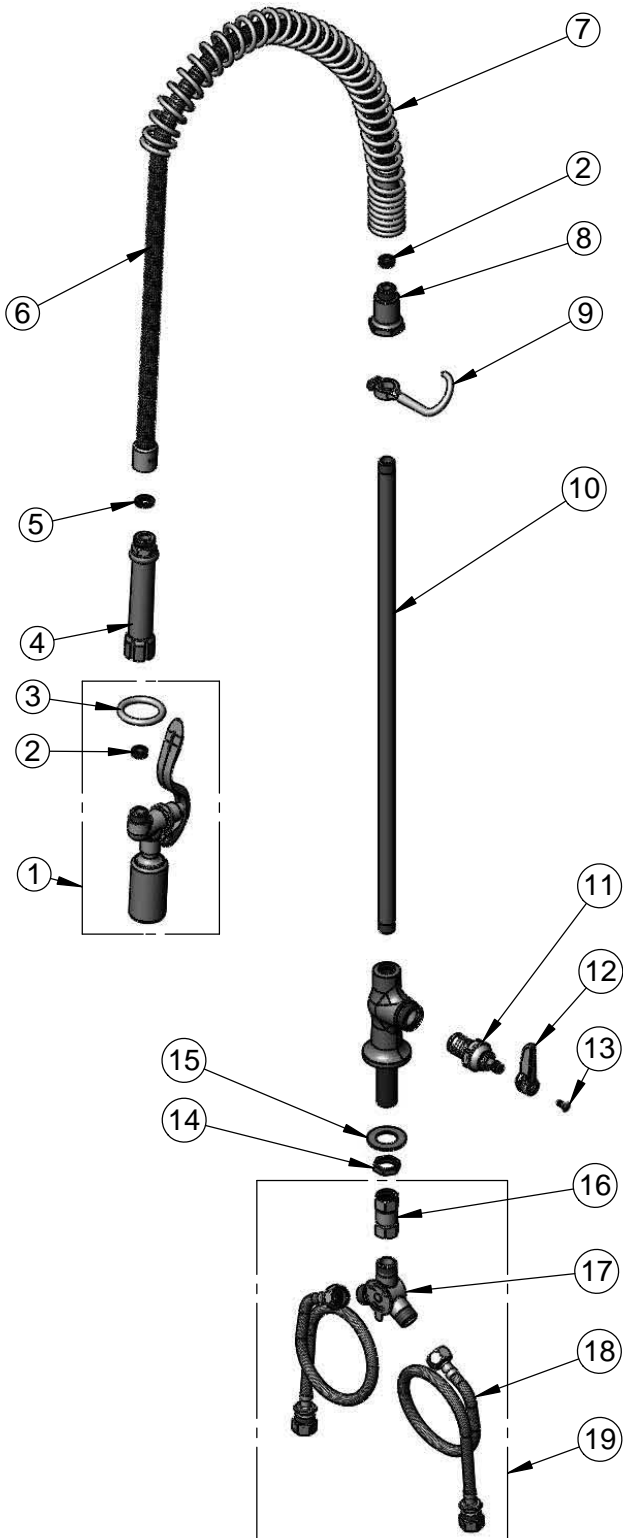
ASME A112.18.1 / CSA B125.1  
NSF 61 - Section 9  
NSF 372 (Low Lead Content)  
EPA Act 2005 (PRSV)  
EPA WaterSense (PRSV)



**T&S BRASS AND BRONZE WORKS, INC.**  
 2 Saddleback Cove / P.O. Box 1088  
 Travelers Rest, SC 29690

Model No.  
**B-0173-C**  
 Item No.

Travelers Rest, SC: 800-476-4103 • Simi Valley, CA: 800-423-0150 • Fax: 864-834-3518 • www.tsbrass.com



ITEM NO.	SALES NO.	DESCRIPTION
1	B-0107-C	0.65GPM Spray Valve
2	010476-45	#27 Washer
3	000907-45	Spray Valve Hold Down Ring
4	002987-40	Grip Handle
5	001014-45	Washer, B-0100 Hose Barrel
6	B-0044-H2A	44" Flexible Stainless Steel Hose, Less Handle
7	000888-45	EasyInstall Overhead Spring
8	000821-40	Spring Body
9	004R	Finger Hook
10	000372-40	3/8" NPT x 24" Riser
11	005960-40	Eterna Cartridge, RTC
12	001638-45	Lever Handle
13	000922-45	Lever Handle Screw
14	002954-45	Shank Lock Nut
15	000999-45	Brass Lock Washer
16	017506-45	1/2" NPSM Swivel Coupling
17	5EF-0006	Mechanical Mixing Valve
18	019192-45	Flexible Connector Hose (2)
19	019321-40	Temperature Control Mixing Valve w/ Flexible 1/2" NPSM Male Inlets

**Product Specifications:**  
 Pre-Rinse Unit:  
 Single Hole, Single Temperature Deck Mount Faucet, Eterna Cartridge,  
 24" Riser, Overhead Spring, 44" Flexible Stainless Steel Hose, 0.65 GPM  
 Low Flow Spray Valve, Temperature Control Mixing Valve w/ Integral Check  
 Valves & 18" Flexible Stainless Steel Supply Hoses w/ 1/2" NPSM Male Inlets

**Product Compliance:**  
 ASME A112.18.1 / CSA B125.1  
 NSF 61 - Section 9  
 NSF 372 (Low Lead Content)  
 EPA Act 2005 (PRSV)  
 EPA WaterSense (PRSV)