



**T&S BRASS AND BRONZE WORKS, INC.**  
 2 Saddleback Cove / P.O. Box 1088  
 Travelers Rest, SC 29690

Model No.  
**B-0173-V9**

Item No.

Travelers Rest, SC: 800-476-4103 • Simi Valley, CA: 800-423-0150 • Fax: 864-834-3518 • www.tsbrass.com

**EPAct 2005 Compliant**

This Space for Architect/Engineer Approval

Job Name \_\_\_\_\_ Date \_\_\_\_\_  
 Model Specified \_\_\_\_\_ Quantity \_\_\_\_\_  
 Customer/Wholesaler \_\_\_\_\_  
 Contractor \_\_\_\_\_  
 Architect/Engineer \_\_\_\_\_

3 3/16"  
 [81mm]



Stainless Steel Flexible Hose w/ Spring & Spray Valve

B-0970-FE Vacuum Breaker

Items Not Shown For Clarity

Finger Hook

3/8" NPT x 24" Riser

B-0107 Spray Valve 1.42 GPM

Eterna Cartridge & Lever Handle

Mounting Surface

4" Spreader w/ Check Valves & 1/2" BSP Adapters

4"  
 [102mm]

B-0109-01 6" Wall Bracket

42 3/8"  
 [1076mm]

14"  
 [356mm]

12 3/4"  
 [324mm]

1 5/8"  
 [41mm] Maximum Thickness

Ø 2" [51mm] Flange

(2) 003746-20  
 1/2" NPSM x 1/2" BSP Adapter (Included)

Rough-In Requirement:  
 Ø 1" [25mm] Mounting Hole

Product Specifications:  
**EasyInstall Pre-Rinse Unit:**  
 Single Temperature, Single Hole Deck Mount Faucet,  
 Eterna Cartridge, 24" Riser, 6" Wall Bracket, Stainless Steel Flexible Hose w/ Vacuum Breaker & 1.42 GPM Spray Valve,  
 4" Spreader w/ Check Valve & 1/2" BSP Adapter Inlet

Drawn <b>DHL</b>	Checked <b>DMH</b>	Approved <b>JHB</b>
Scale: <b>1:9</b>		Date: <b>05/22/13</b>



# T&S BRASS AND BRONZE WORKS, INC.

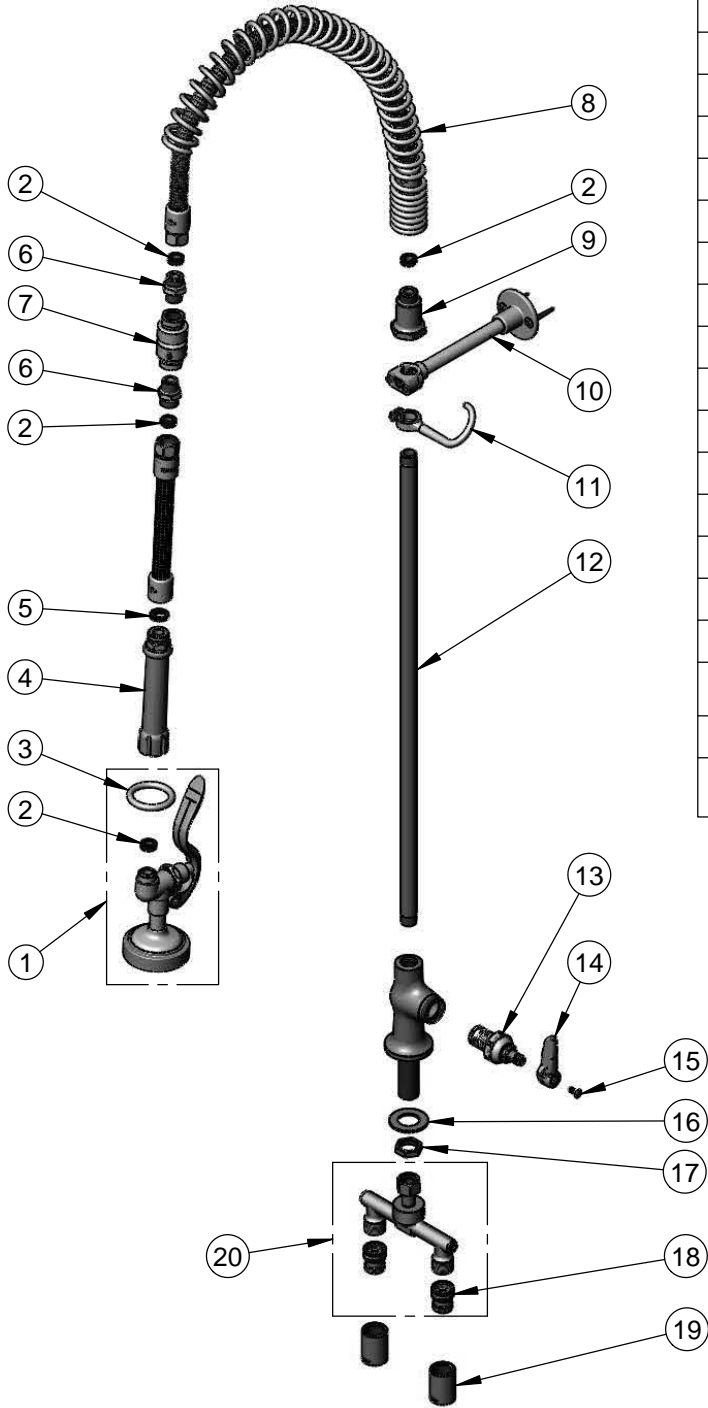
2 Saddleback Cove / P.O. Box 1088  
Travelers Rest, SC 29690

Model No.

**B-0173-V9**

Item No.

Travelers Rest, SC: 800-476-4103 • Simi Valley, CA: 800-423-0150 • Fax: 864-834-3518 • www.tsbrass.com



ITEM NO.	SALES NO.	DESCRIPTION
1	B-0107	1.42 GPM Spray Valve
2	010476-45	#27 Washer
3	000907-45	Spray Valve Hold Down Ring
4	002987-40	Gray Grip Handle
5	001014-45	Washer, B-0100 Hose Barrel
6	053A	Adapter, 3/8" NPT x 3/4"-14 UNS
7	B-0970-FE	3/8" NPT Vacuum Breaker
8	000888-45	EasyInstall Overhead Spring
9	000821-40	Spring Body
10	B-0109-01	12" Wall Bracket
11	004R	Finger Hook
12	000372-40	3/8" NPT x 24" Riser
13	005960-40	Eterna Cartridge, RTC
14	001638-45	Lever Handle
15	000922-45	Lever Handle Screw
16	000999-45	Brass Washer
17	002954-45	Shank Lock Nut
18	010321-45	Check Valve 1/2" BSP Male x 1/2" BSP Female
19	003746-20	1/2" NPSM x 1/2" BSP Adapter
20	002899-40	4" Spreader w/ Volume Control & Check Valves

**Product Specifications:**

EasyInstall Pre-Rinse Unit:  
Single Temperature, Single Hole Deck Mount Faucet,  
Eterna Cartridge, 24" Riser, 6" Wall Bracket, Stainless Steel  
Flexible Hose w/ Vacuum Breaker & 1.42 GPM Spray Valve,  
4" Spreader w/ Check Valve & 1/2" BSP Adapter Inlet

Drawn

**DHL**

Checked

**DMH**

Approved

**JHB**

Scale:

**NTS**

Date:

**05/22/13**