



T&S BRASS AND BRONZE WORKS, INC.

2 Saddleback Cove / P.O. Box 1088
Travelers Rest, SC 29690

Model No.
B-0175-60H-QDSV

Item No.

Travelers Rest, SC: 800-476-4103 • Simi Valley, CA: 800-423-0150 • Fax: 864-834-3518 • www.tsbrass.com

This Space for Architect/Engineer Approval

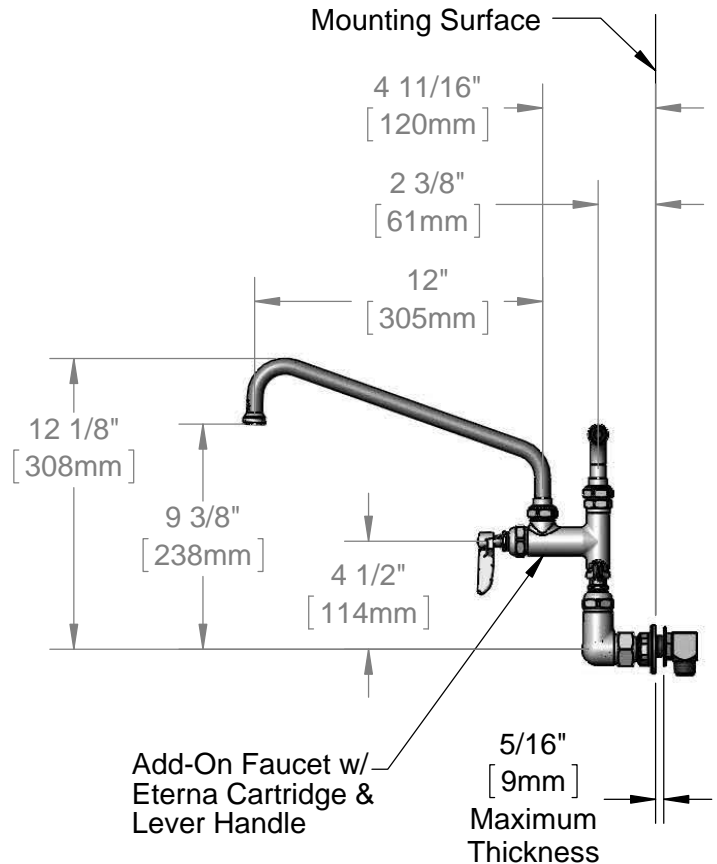
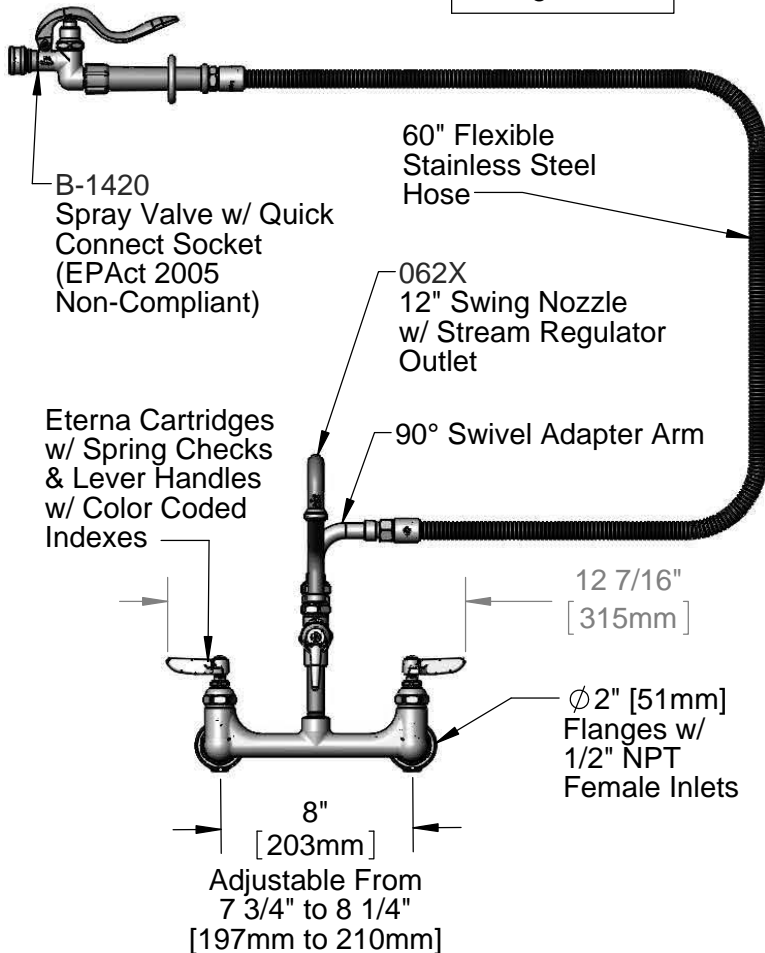
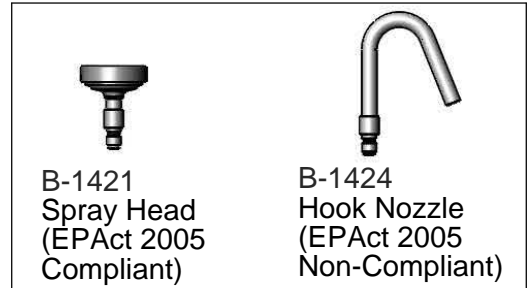
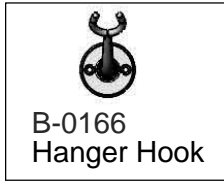
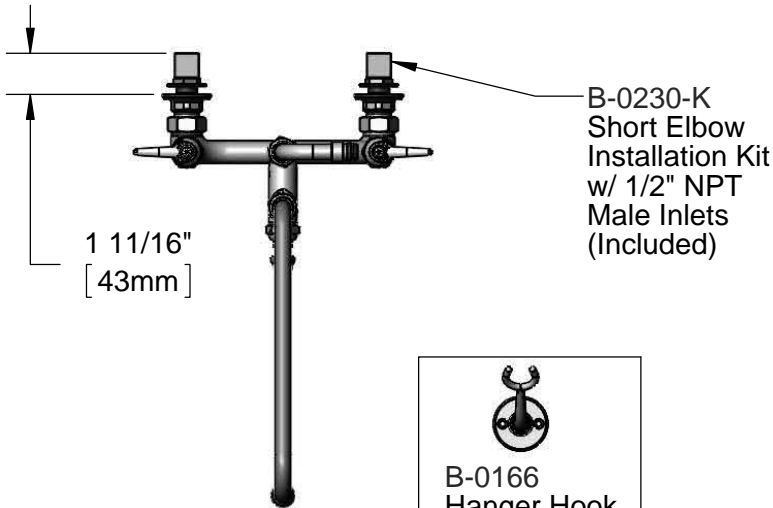
Job Name _____ Date _____

Model Specified _____ Quantity _____

Customer/Wholesaler _____

Contractor _____

Architect/Engineer _____



Rough-In Requirement:
(2) Ø 1" [25mm] Mounting Holes

Product Specifications:

8" Wall Mount Mixing Faucet, Eterna Cartridges w/ Spring Checks, Lever Handles, Add-On Faucet w/ 12" Swing Nozzle, 60" Flexible Stainless Steel Hose, 90° Swivel Adapter, Quick Connect Spray Valve w/ Spray Accessories, Wall Hook & 1/2" Short Elbow Installation Kit

Product Compliance:

ASME A112.18.1 / CSA B125.1
NSF 61 - Section 9
NSF 372 (Low Lead Content)
EPA 2005 (PRSV) B-1421 Only



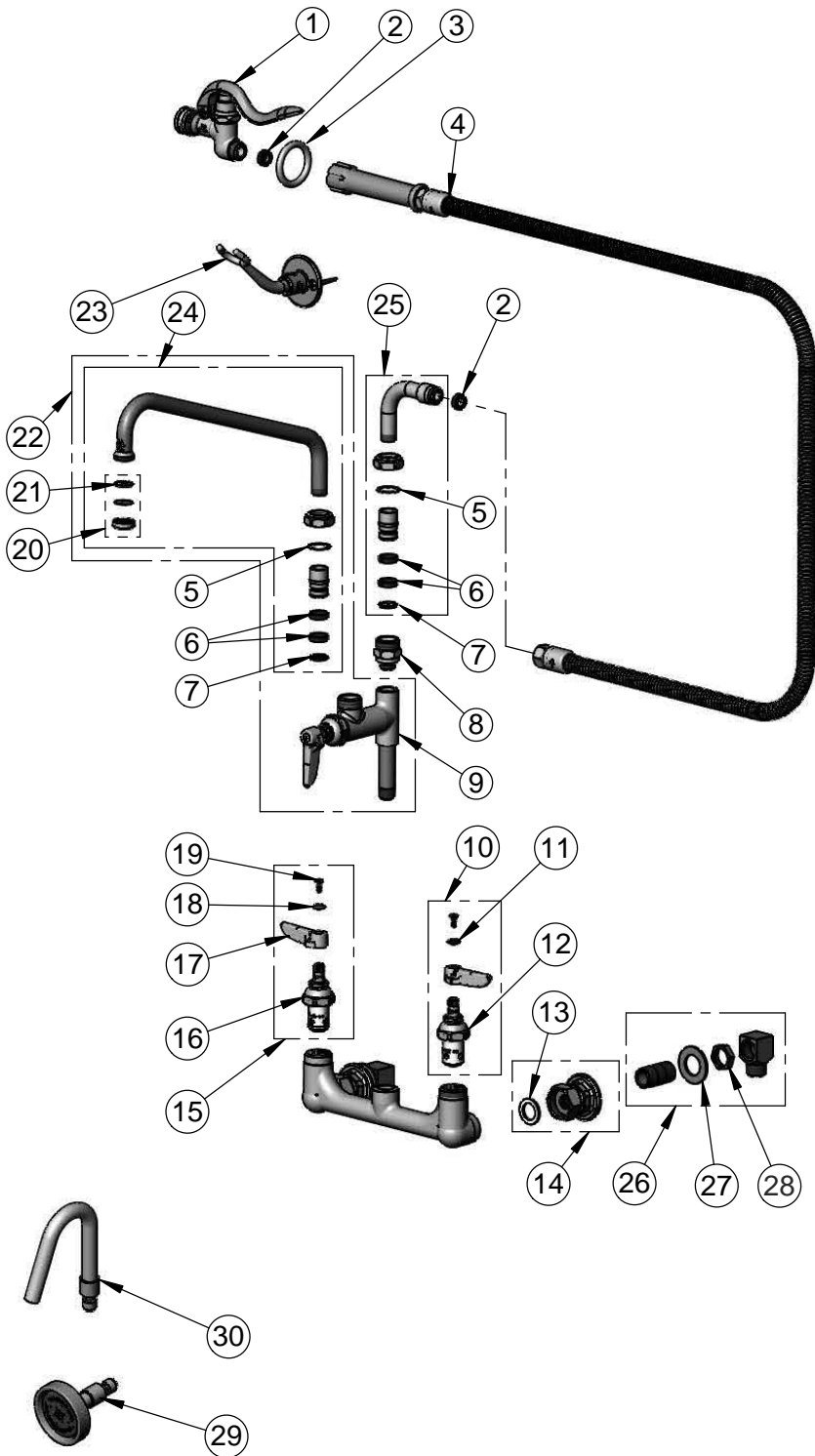
T&S BRASS AND BRONZE WORKS, INC.

2 Saddleback Cove / P.O. Box 1088
Travelers Rest, SC 29690

Model No.
B-0175-60H-QDSV

Item No.

Travelers Rest, SC: 800-476-4103 • Simi Valley, CA: 800-423-0150 • Fax: 864-834-3518 • www.tsbrass.com



ITEM NO.	SALES NO.	DESCRIPTION
1	B-1420	Spray Valve w/ Quick Connect Socket
2	010476-45	#27 Washer
3	000907-45	Spray Valve Hold Down Ring
4	B-0060-H	60" Flexible Stainless Steel Hose
5	009538-45	Swivel Washer
6	011429-45	Swivel Sleeves (2)
7	001074-45	O-Ring
8	B-0412	Rigid to Swivel Adapter
9	B-0155-LN	Add-On Faucet, Less Nozzle
10	002711-40	Eterna Cartridge, LTC w/ Spring Check, Handle, Index & Screw
11	001660-45	Blue Index-CW
12	012442-40	Eterna Cartridge, LTC w/ Spring Check
13	001019-45	Coupling Nut Washer
14	00AA	1/2" NPT Female Eccentric Flange
15	002712-40	Eterna Cartridge, RTC w/ Spring Check, Handle, Index & Screw
16	012443-40	Eterna Cartridge, RTC w/ Spring Check
17	001638-45	Lever Handle
18	001661-45	Red Index-HW
19	000922-45	Lever Handle Screw
20	B-PT	Stream Regulator Outlet
21	001048-45	Nozzle Tip Washer
22	B-0156	Add-On Faucet w/ 12" Swing Nozzle
23	B-0166	Hanger Hook
24	062X	12" Swing Nozzle
25	034A	90° Swivel Adapter
26	B-0230-K	Short Elbow Installation Kit (2)
27	000999-45	Brass Lock Washer
28	002954-45	Shank Lock Nut
29	B-1421	Spray Head
30	B-1424	Hook Nozzle

Product Specifications:

8" Wall Mount Mixing Faucet, Eterna Cartridges w/ Spring Checks, Lever Handles, Add-On Faucet w/ 12" Swing Nozzle, 60" Flexible Stainless Steel Hose, 90° Swivel Adapter, Quick Connect Spray Valve w/ Spray Accessories, Wall Hook & 1/2" Short Elbow Installation Kit

Product Compliance:

ASME A112.18.1 / CSA B125.1
NSF 61 - Section 9
NSF 372 (Low Lead Content)
EPA Act 2005 (PRSV) B-1421 Only