



**T&S BRASS AND BRONZE WORKS, INC.**  
 2 Saddleback Cove / P.O. Box 1088  
 Travelers Rest, SC 29690

Model No.  
**B-0175-CR**

Item No.

Travelers Rest, SC: 800-476-4103 • Simi Valley, CA: 800-423-0150 • Fax: 864-834-3518 • www.tsbrass.com

This Space for Architect/Engineer Approval

Job Name \_\_\_\_\_ Date \_\_\_\_\_

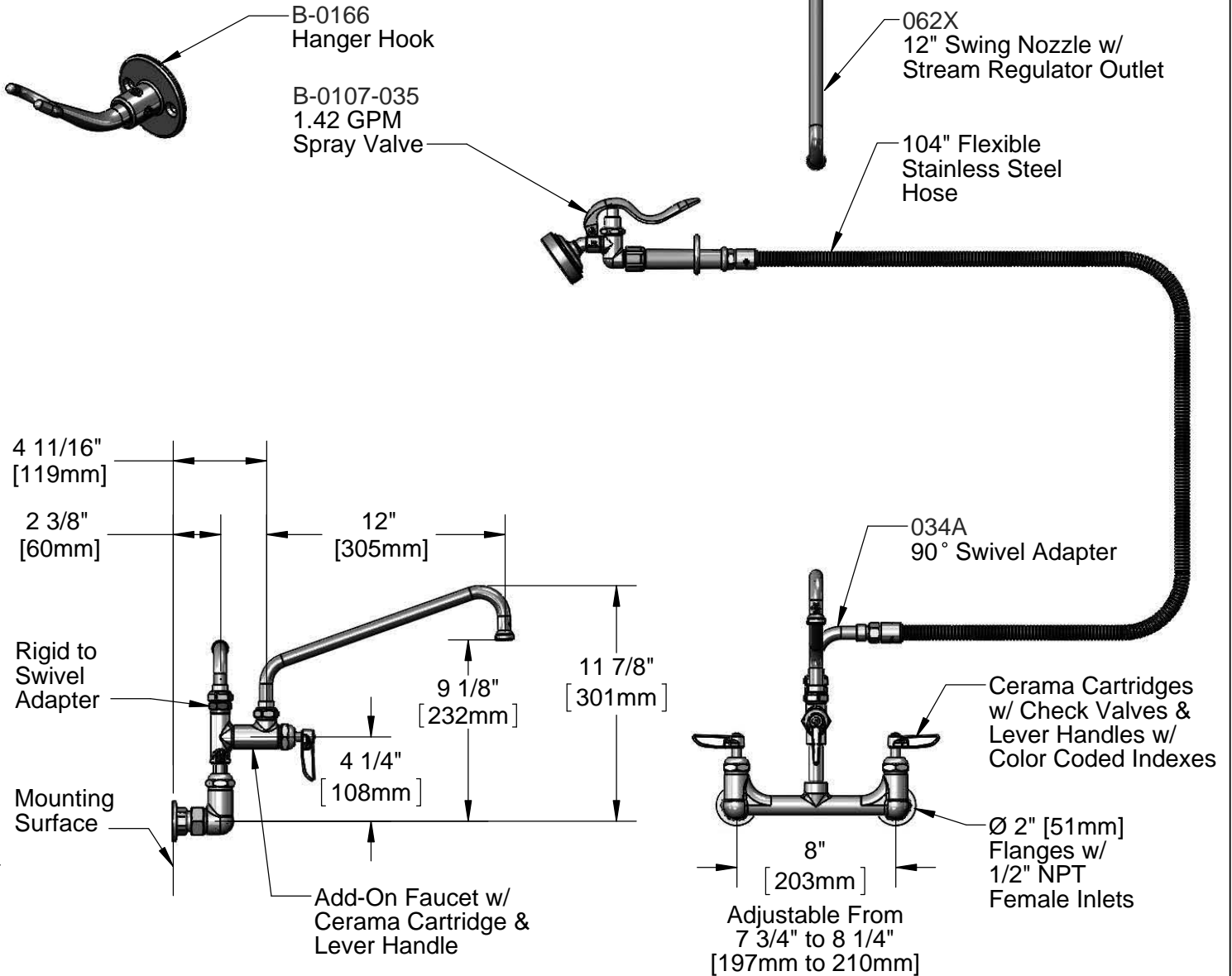
Model Specified \_\_\_\_\_ Quantity \_\_\_\_\_

Customer/Wholesaler \_\_\_\_\_

Contractor \_\_\_\_\_

Architect/Engineer \_\_\_\_\_

**EPAct 2005 COMPLIANT**



Product Specifications:  
 Pre-Rinse Unit: 8" Wall Mount Mixing Faucet, Cerama Cartridges w/ Check Valves, Lever Handles, Add-On Faucet w/ 12" Swing Nozzle, 104" Flexible Stainless Steel Hose, 1.42 GPM Spray Valve & 1/2" NPT Female Inlets

Drawn <b>KJG</b>	Checked <b>DHL</b>	Approved <b>JHB</b>
Scale: <b>1:8</b>		Date: <b>08/27/13</b>



# T&S BRASS AND BRONZE WORKS, INC.

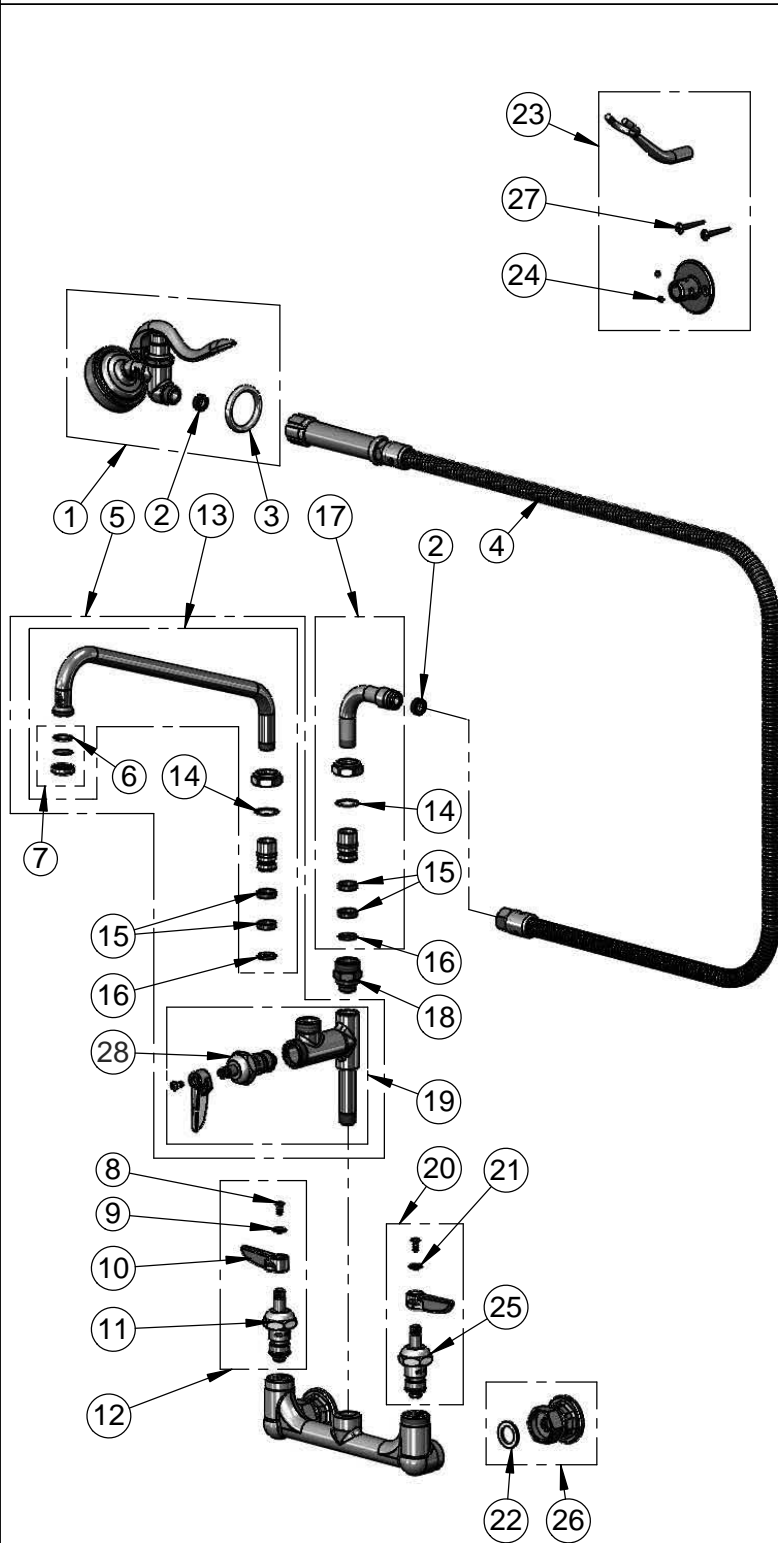
2 Saddleback Cove / P.O. Box 1088  
Travelers Rest, SC 29690

Model No.

**B-0175-CR**

Item No.

Travelers Rest, SC: 800-476-4103 • Simi Valley, CA: 800-423-0150 • Fax: 864-834-3518 • www.tsbrass.com



ITEM NO.	SALES NO.	DESCRIPTION
1	B-0107-035	1.42 GPM Angled Spray Valve
2	010476-45	#27 Washer
3	000907-45	Spray Valve Hold Down Ring
4	B-0104-H	104" Flexible Stainless Steel Hose
5	B-0156-CR	Add-On Faucet w/ 12" Swing Nozzle
6	009638-45	Washer
7	B-PT	Stream Regulator Outlet
8	000922-45	Lever Handle Screw
9	001661-45	Red Index-HW
10	001638-45	Lever Handle
11	012394-25	Cerama Cartridge, RTC w/ Check Valve
12	012446-25	Cerama Cartridge, RTC w/ Check Valve, Handle, Index & Screw
13	062X	12" Swing Nozzle w/ Stream Regulator Outlet
14	009538-45	Swivel Washer
15	011429-45	Swivel Sleeves (2)
16	001074-45	O-Ring
17	034A	90° Swivel to Hose Adapter
18	B-0412	Rigid to Swivel Adapter
19	B-0155-CR-LN	Add-On Faucet - Less Nozzle
20	012447-25	Cerama Cartridge, LTC w/ Check Valve, Handle, Index & Screw
21	001660-45	Blue Index-CW
22	001019-45	Coupling Nut Washer
23	B-0166	Hanger Hook
24	001584-45	Set Screw, B-0119 Rod End
25	012395-25	Cerama Cartridge, LTC w/ Check Valve
26	00AA	1/2" NPT Female Eccentric Flange
27	000915-45	Mounting Screw
28	011278-25	Cerama Cartridge RTC

**Product Specifications:**

Pre-Rinse Unit: 8" Wall Mount Mixing Faucet, Cerama Cartridges w/ Check Valves, Lever Handles, Add-On Faucet w/ 12" Swing Nozzle, 104" Flexible Stainless Steel Hose, 1.42 GPM Spray Valve & 1/2" NPT Female Inlets

Drawn <b>KJG</b>	Checked <b>DHL</b>	Approved <b>JHB</b>
Scale: <b>NTS</b>		Date: <b>08/27/13</b>