



T&S BRASS AND BRONZE WORKS, INC.

2 Saddleback Cove / P.O. Box 1088
Travelers Rest, SC 29690

Model No.

B-0175

Item No.

Travelers Rest, SC: 800-476-4103 • Simi Valley, CA: 800-423-0150 • Fax: 864-834-3518 • www.tsbrass.com

This Space for Architect/Engineer Approval

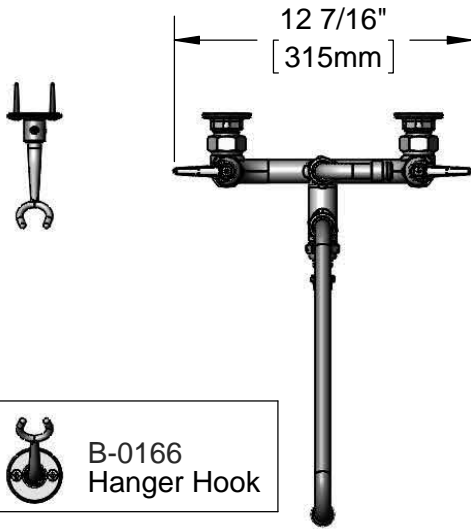
Job Name _____ Date _____

Model Specified _____ Quantity _____

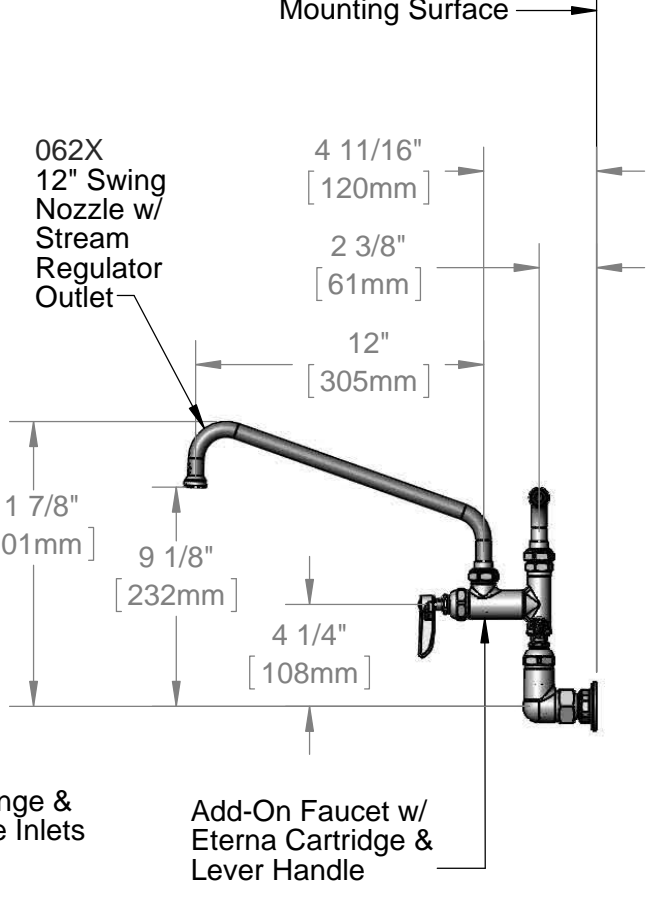
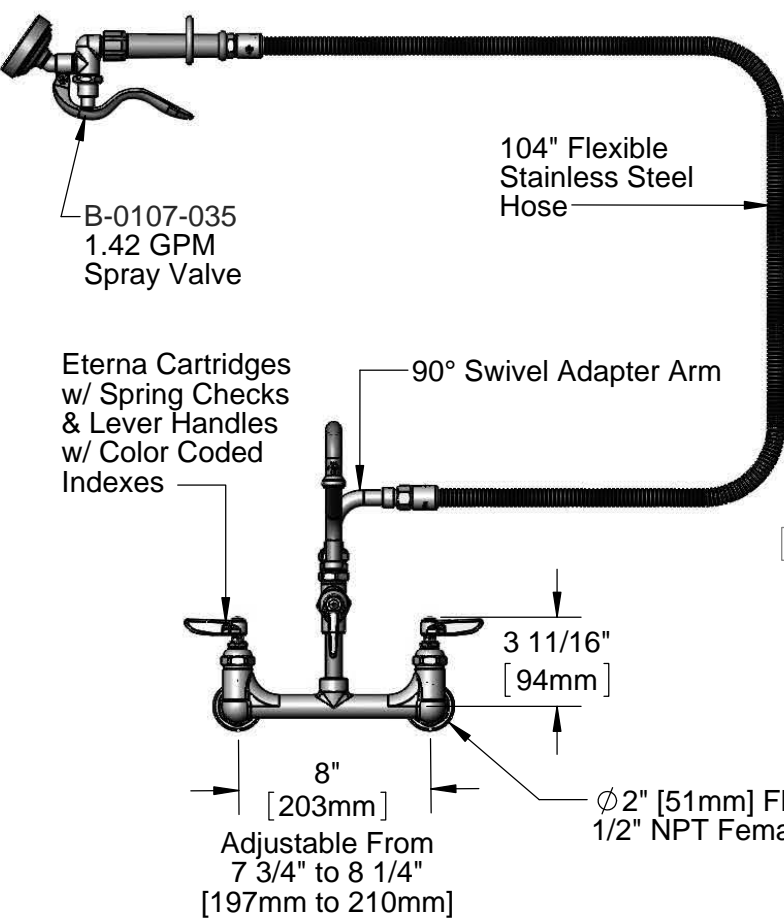
Customer/Wholesaler _____

Contractor _____

Architect/Engineer _____



B-0166 Hanger Hook



Product Specifications:

8" Wall Mount Mixing Faucet, Eterna Cartridges w/ Spring Checks, Lever Handles, 104" Flexible Stainless Steel Hose, 1.42 GPM Angled Spray Valve, 12" Swing Nozzle, 90° Swivel Adapter Arm, Wall Hook & 1/2" NPT Female Inlets

Product Compliance:

ASME A112.18.1 / CSA B125.1
NSF 61 - Section 9
NSF 372 (Low Lead Content)
EPA Act 2005 (PRSV)



T&S BRASS AND BRONZE WORKS, INC.

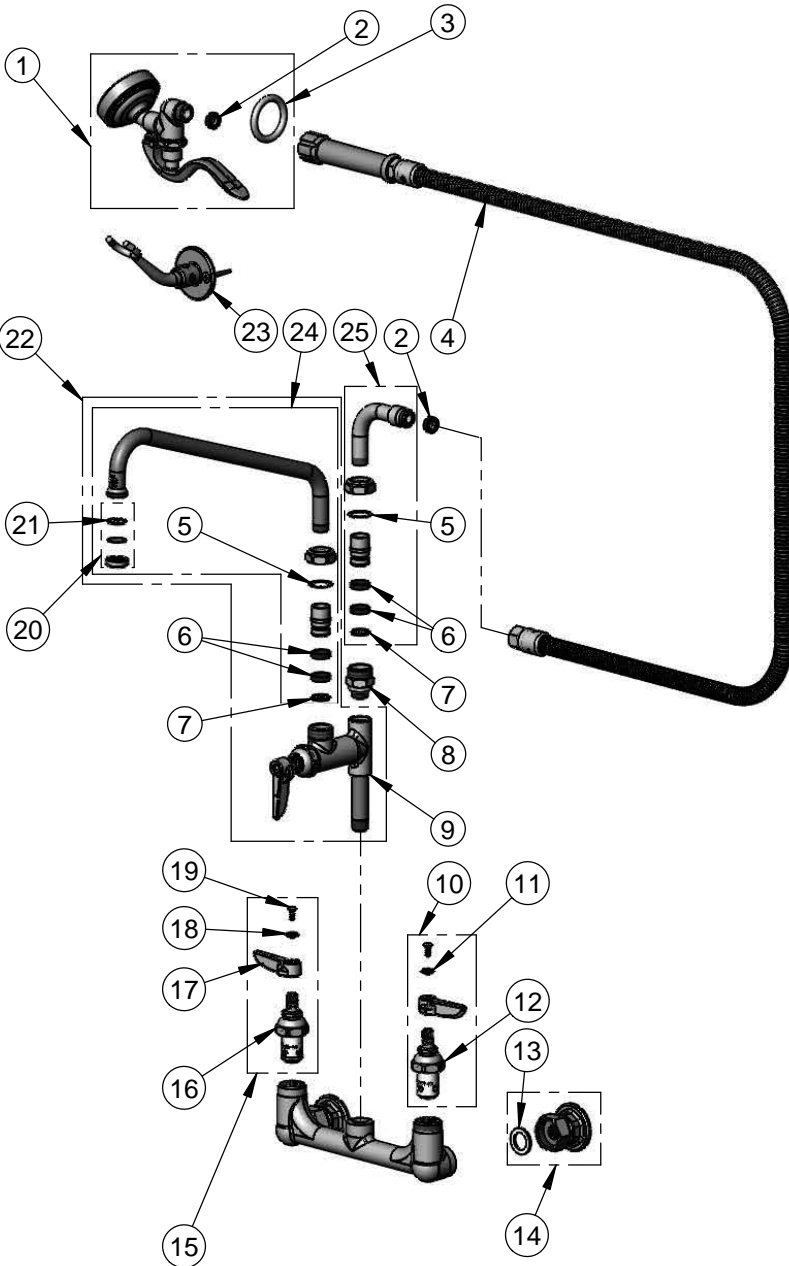
2 Saddleback Cove / P.O. Box 1088
Travelers Rest, SC 29690

Model No.

B-0175

Item No.

Travelers Rest, SC: 800-476-4103 • Simi Valley, CA: 800-423-0150 • Fax: 864-834-3518 • www.tsbrass.com



ITEM NO.	SALES NO.	DESCRIPTION
1	B-0107-035	1.42 GPM Angled Spray Valve
2	010476-45	#27 Washer
3	000907-45	Spray Valve Hold Down Ring
4	B-0104-H	104" Flexible Stainless Steel Hose
5	009538-45	Swivel Washer
6	011429-45	Swivel Sleeves (2)
7	001074-45	O-Ring
8	B-0412	Rigid to Swivel Adapter
9	B-0155-LN	Add-On Faucet -Less Nozzle
10	002711-40	Eterna Cartridge, LTC w/ Spring Check, Handle, Index & Screw
11	001660-45	Blue Index-CW
12	012442-40	Eterna Cartridge, LTC w/ Spring Check
13	001019-45	Coupling Nut Washer
14	00AA	1/2" NPT Female Eccentric Flange
15	002712-40	Eterna Cartridge, RTC w/ Spring Check, Handle, Index & Screw
16	012443-40	Eterna Cartridge, RTC w/ Spring Check
17	001638-45	Lever Handle
18	001661-45	Red Index-HW
19	000922-45	Lever Handle Screw
20	B-PT	Stream Regulator Outlet
21	009638-45	Washer
22	B-0156	Add-On Faucet w/ 12" Swing Nozzle
23	B-0166	Hanger Hook
24	062X	12" Swing Nozzle
25	034A	90° Swivel Adapter Arm

Product Specifications:

8" Wall Mount Mixing Faucet, Eterna Cartridges w/ Spring Checks, Lever Handles, 104" Flexible Stainless Steel Hose, 1.42 GPM Angled Spray Valve, 12" Swing Nozzle, 90° Swivel Adapter Arm, Wall Hook & 1/2" NPT Female Inlets

Product Compliance:

ASME A112.18.1 / CSA B125.1
NSF 61 - Section 9
NSF 372 (Low Lead Content)
EPA Act 2005 (PRSV)