



**T&S BRASS AND BRONZE WORKS, INC.**  
 2 Saddleback Cove / P.O. Box 1088  
 Travelers Rest, SC 29690

Model No.  
**B-0200-LN**

Item No.

Travelers Rest, SC: 800-476-4103 • Simi Valley, CA: 800-423-0150 • Fax: 864-834-3518 • www.tsbrass.com



**ADA Compliant**

This Space for Architect/Engineer Approval

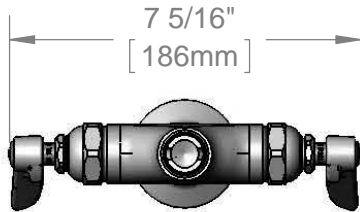
Job Name \_\_\_\_\_ Date \_\_\_\_\_

Model Specified \_\_\_\_\_ Quantity \_\_\_\_\_

Customer/Wholesaler \_\_\_\_\_

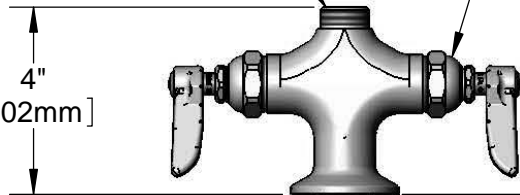
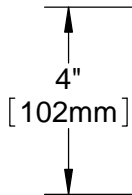
Contractor \_\_\_\_\_

Architect/Engineer \_\_\_\_\_



Swivel Outlet Accepts  
 Standard T&S Swing  
 Nozzles

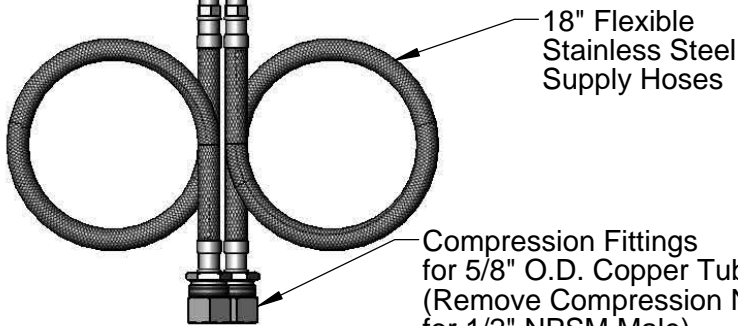
Eterna Cartridges &  
 Lever Handles w/  
 Color Coded Indexes



Mounting Surface



Ø 2 1/4" [57mm] Flange w/  
 Ø 1 1/8" [29mm] Shank



18" Flexible  
 Stainless Steel  
 Supply Hoses

Compression Fittings  
 for 5/8" O.D. Copper Tubing  
 (Remove Compression Nut  
 for 1/2" NPSM Male)

1 3/8"  
 [35mm]  
 Maximum  
 Thickness

Rough-In Requirement:  
 Ø 1 1/2" [38mm] Mounting Hole

Product Specifications:  
 Single Hole Deck Mount Mixing Faucet, Eterna Cartridges, Lever Handles &  
 18" Flexible Stainless Steel Supply Hoses w/ 1/2" NPT Male Inlet, Less Nozzle

Product Compliance:  
 ASME A112.18.1 / CSA B125.1  
 NSF 61 - Section 9  
 NSF 372 (Low Lead Content)  
 ANSI A117.1 (ADA)



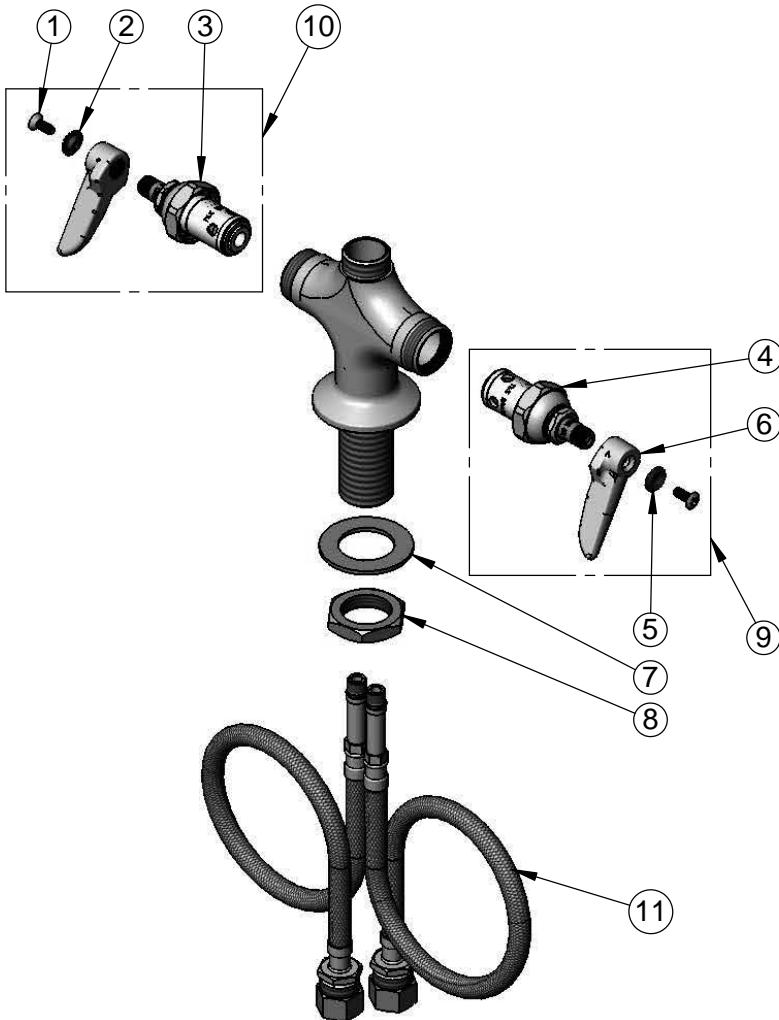
**T&S BRASS AND BRONZE WORKS, INC.**  
 2 Saddleback Cove / P.O. Box 1088  
 Travelers Rest, SC 29690

Model No.  
**B-0200-LN**

Item No.

Travelers Rest, SC: 800-476-4103 • Simi Valley, CA: 800-423-0150 • Fax: 864-834-3518 • www.tsbrass.com

| ITEM NO. | SALES NO. | DESCRIPTION                                      |
|----------|-----------|--|
| 1        | 000922-45 | Lever Handle Screw                               |
| 2        | 001661-45 | Red Index-HW                                     |
| 3        | 005960-40 | Eterna Cartridge, RTC                            |
| 4        | 005959-40 | Eterna Cartridge, LTC                            |
| 5        | 001660-45 | Blue Index-CW                                    |
| 6        | 001638-45 | Lever Handle                                     |
| 7        | 002290-45 | Lock Washer                                      |
| 8        | 000965-45 | Lock Nut   |
| 9        | 002713-40 | Eterna Cartridge LTC w/<br>Handle, Index & Screw |
| 10       | 002714-40 | Eterna Cartridge RTC w/<br>Handle, Index & Screw |
| 11       | 012534-45 | 18" Flexible Supply Hose (2)                     |



**Product Specifications:**

Single Hole Deck Mount Mixing Faucet, Eterna Cartridges, Lever Handles & 18" Flexible Stainless Steel Supply Hoses w/ 1/2" NPT Male Inlet, Less Nozzle

**Product Compliance:**

ASME A112.18.1 / CSA B125.1  
 NSF 61 - Section 9  
 NSF 372 (Low Lead Content)  
 ANSI A117.1 (ADA)