



T&S BRASS AND BRONZE WORKS, INC.

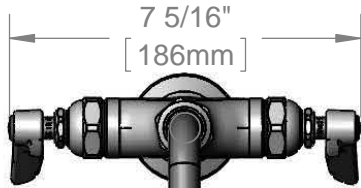
2 Saddleback Cove / P.O. Box 1088
Travelers Rest, SC 29690

Model No.

B-0201

Item No.

Travelers Rest, SC: 800-476-4103 • Simi Valley, CA: 800-423-0150 • Fax: 864-834-3518 • www.tsbrass.com



ADA Compliant

This Space for Architect/Engineer Approval

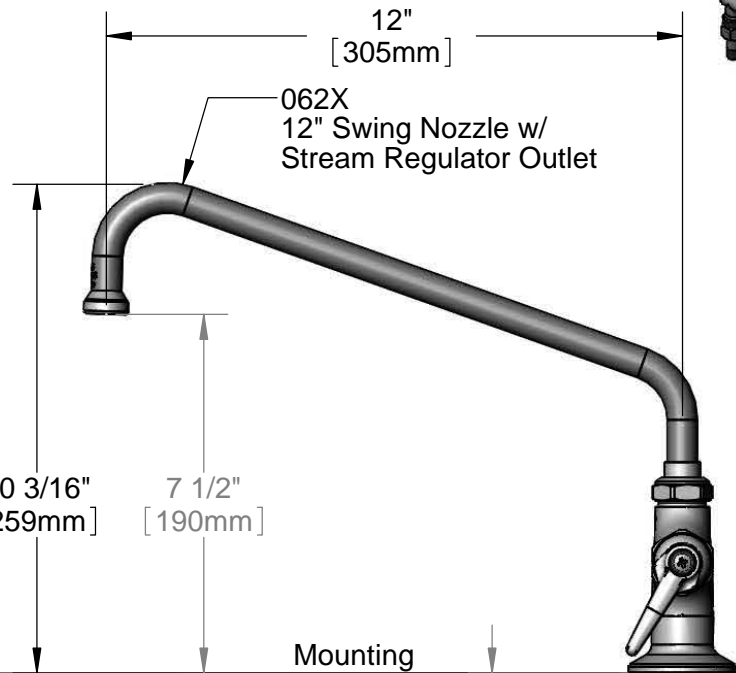
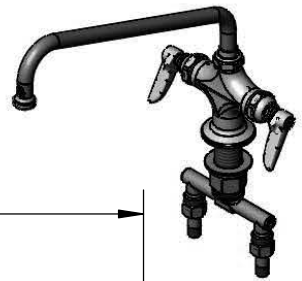
Job Name _____ Date _____

Model Specified _____ Quantity _____

Customer/Wholesaler _____

Contractor _____

Architect/Engineer _____



Eterna Cartridges & Lever Handles w/ Color Coded Indexes

Swivel Joint

2 5/16" [58mm]

10 3/16" [259mm]

7 1/2" [190mm]

Mounting Surface

4 3/4" [120mm]

Ø 2 1/4" [57mm] Flange w/
Ø 1 1/8" [29mm] Shank

1 3/8" [35mm]
Maximum Thickness

4" Spreader w/
1/2" NPT Male Inlets

4" [102mm]

(2) 150A
Optional Tailpieces & Nut
For 1/4" NPT Connection
(Included)

Rough-In Requirement:
Ø 1 1/2" [38mm] Mounting Hole

Product Specifications:

Single Hole Deck Mount Mixing Faucet, Eterna Cartridges, Lever Handles, 12" Swing Nozzle & 4" Spreader w/ 1/2" NPT Male Inlets

Product Compliance:

ASME A112.18.1 / CSA B125.1
NSF 61 - Section 9
NSF 372 (Low Lead Content)
ANSI A117.1 (ADA)



T&S BRASS AND BRONZE WORKS, INC.

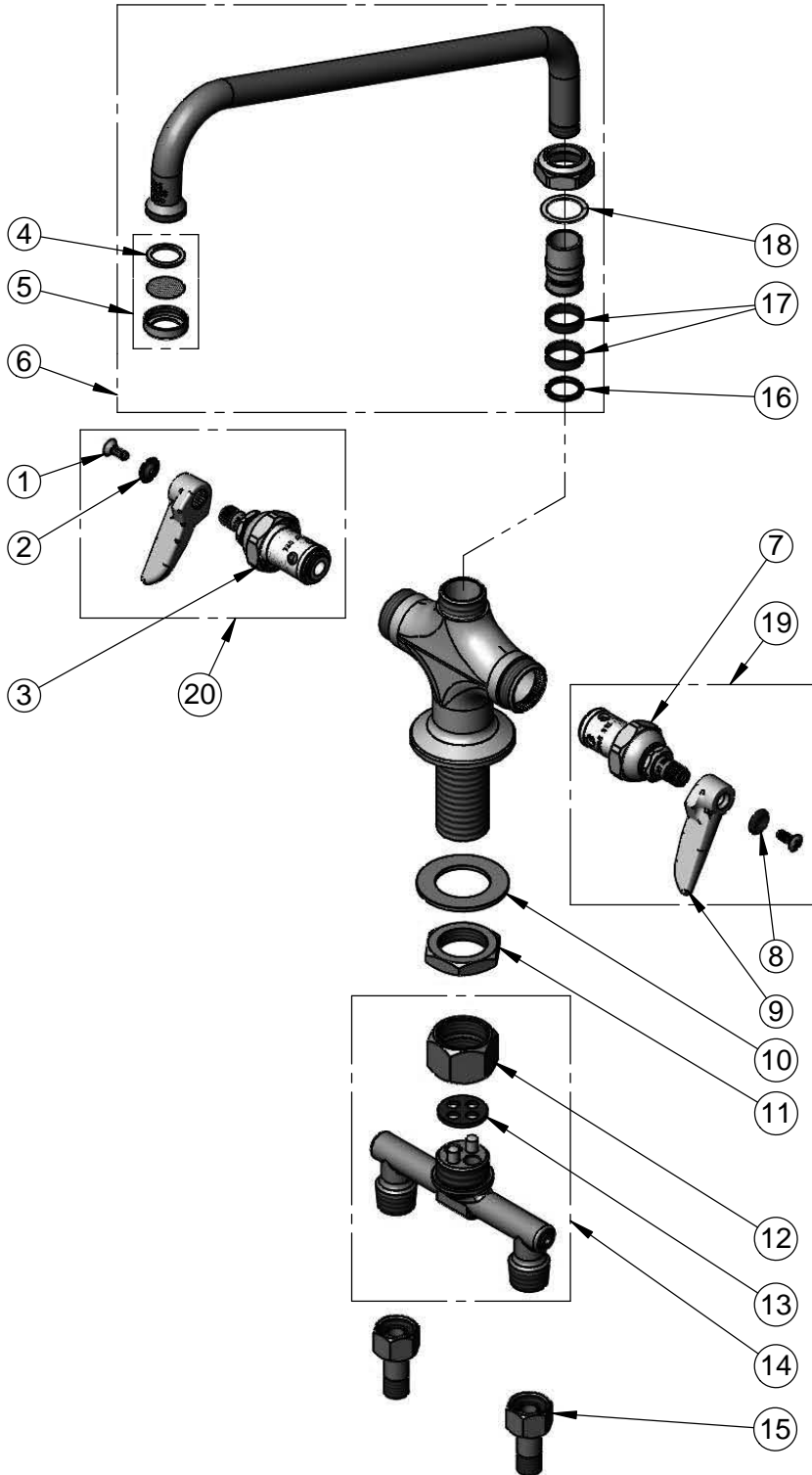
2 Saddleback Cove / P.O. Box 1088
Travelers Rest, SC 29690

Model No.

B-0201

Item No.

Travelers Rest, SC: 800-476-4103 • Simi Valley, CA: 800-423-0150 • Fax: 864-834-3518 • www.tsbrass.com



ITEM NO.	SALES NO.	DESCRIPTION
1	000922-45	Lever Handle Screw
2	001661-45	Red Index-HW
3	005960-40	Eterna Cartridge, RTC
4	001048-45	Nozzle Tip Washer
5	B-PT	Stream Regulator Outlet
6	062X	12" Swing Nozzle
7	005959-40	Eterna Cartridge, LTC
8	001660-45	Blue Index-CW
9	001638-45	Lever Handle
10	002290-45	Lock Washer
11	000965-45	Lock Nut
12	000736-20	Spreader Coupler Nut
13	001041-45	Spreader Washer
14	002898-40	4" Spreader
15	150A	1/4" NPT Tailpiece & Nut
16	001074-45	O-Ring
17	011429-45	Swivel Sleeves (2)
18	009538-45	Swivel Washer
19	002713-40	Eterna Cartridge LTC w/ Handle, Index & Screw
20	002714-40	Eterna Cartridge RTC w/ Handle, Index & Screw

Product Specifications:

Single Hole Deck Mount Mixing Faucet, Eterna Cartridges, Lever Handles, 12" Swing Nozzle & 4" Spreader w/ 1/2" NPT Male Inlets

Product Compliance:

ASME A112.18.1 / CSA B125.1
NSF 61 - Section 9
NSF 372 (Low Lead Content)
ANSI A117.1 (ADA)