



# T&S BRASS AND BRONZE WORKS, INC.

2 Saddleback Cove / P.O. Box 1088  
Travelers Rest, SC 29690

Model No.

**B-0202**

Item No.

Travelers Rest, SC: 800-476-4103 • Simi Valley, CA: 800-423-0150 • Fax: 864-834-3518 • www.tsbrass.com



**ADA Compliant**

This Space for Architect/Engineer Approval

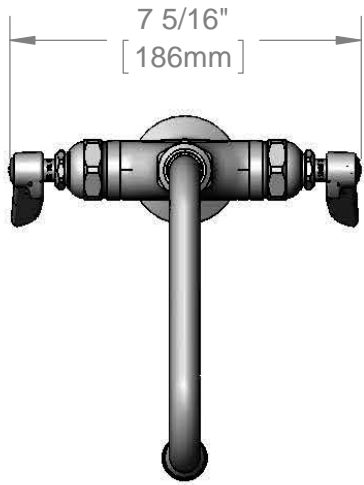
Job Name \_\_\_\_\_ Date \_\_\_\_\_

Model Specified \_\_\_\_\_ Quantity \_\_\_\_\_

Customer/Wholesaler \_\_\_\_\_

Contractor \_\_\_\_\_

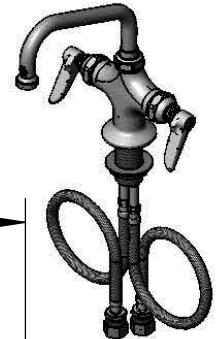
Architect/Engineer \_\_\_\_\_



7 5/16"

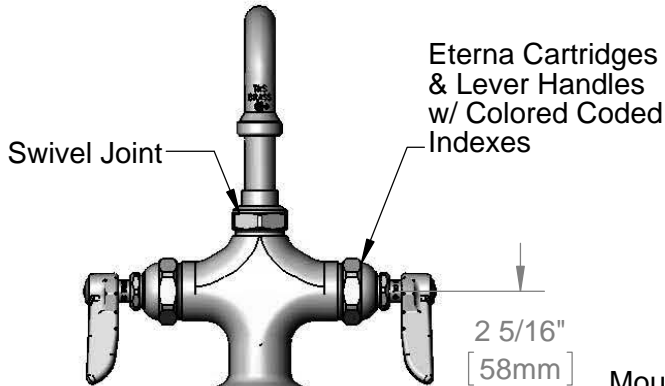
[186mm]

059X  
6" Swing Nozzle w/  
Stream Regulator  
Outlet



6"

[152mm]



Eterna Cartridges  
& Lever Handles  
w/ Colored Coded  
Indexes

Swivel Joint

2 5/16"

[58mm]

Mounting Surface

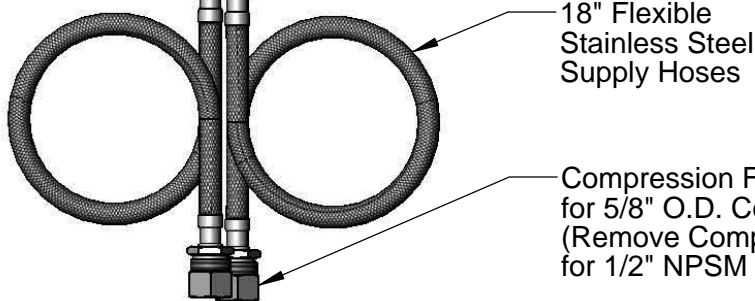
8 1/4"  
[209mm]

5 9/16"  
[141mm]

Ø 1 1/8"  
[29mm]

Ø 2 1/4"  
[57mm]  
Base

1 3/8"  
[35mm]  
Maximum  
Thickness



18" Flexible  
Stainless Steel  
Supply Hoses

Compression Fittings  
for 5/8" O.D. Copper Tubing  
(Remove Compression Nut  
for 1/2" NPSM Male)

Rough-In Requirement:  
Ø 1 1/2" [38mm] Mounting Hole

Product Specifications:  
Single Hole Deck Mount Mixing Faucet, Eterna Cartridges, Lever  
Handles, 6" Swing Nozzle w/ Stream Regulator Outlet & 18" Flexible  
Stainless Steel Supply Hoses w/ 1/2" NPSM Male Inlets

Product Compliance:  
ASME A112.18.1 / CSA B125.1  
NSF 61 - Section 9  
NSF 372 (Low Lead Content)  
ANSI A117.1 (ADA)



# T&S BRASS AND BRONZE WORKS, INC.

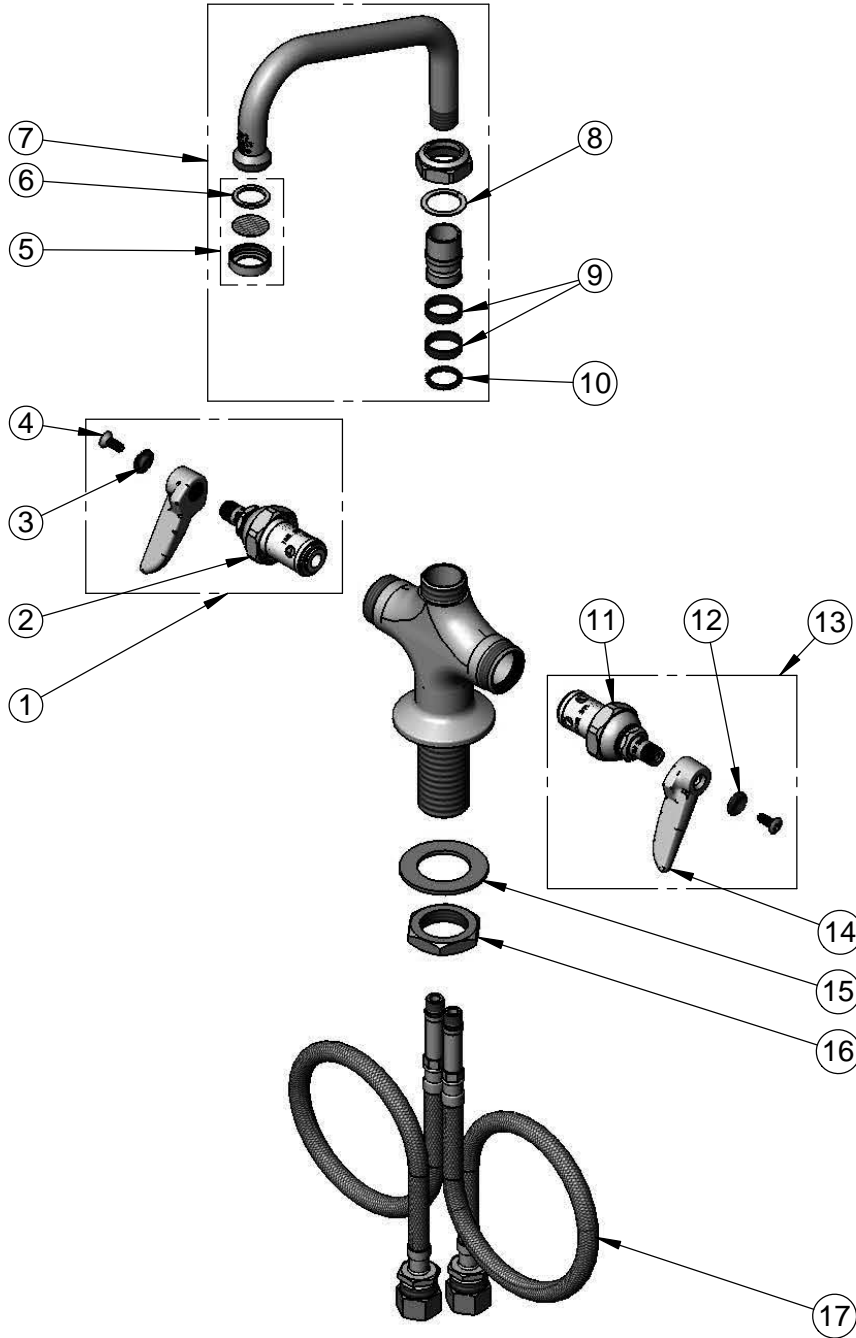
2 Saddleback Cove / P.O. Box 1088  
Travelers Rest, SC 29690

Model No.

**B-0202**

Item No.

Travelers Rest, SC: 800-476-4103 • Simi Valley, CA: 800-423-0150 • Fax: 864-834-3518 • www.tsbrass.com



ITEM NO.	SALES NO.	DESCRIPTION
1	002714-40	Eterna Cartridge RTC w/ Handle, Index & Screw
2	005960-40	Eterna Cartridge, RTC
3	001661-45	Red Index - HW
4	000922-45	Lever Handle Screw
5	B-PT	Stream Regulator Outlet
6	001048-45	Nozzle Tip Washer
7	059X	6" Swing Nozzle
8	009538-45	Swivel Washer
9	011429-45	Swivel Sleeves (2)
10	001074-45	O-Ring
11	005959-40	Eterna Cartridge, LTC
12	001660-45	Blue Index - CW
13	002713-40	Eterna Cartridge LTC w/ Handle, Index & Screw
14	001638-45	Lever Handle
15	002290-45	Lock Washer
16	000965-45	Lock Nut
17	012534-45	18" Flexible Supply Hose (2)

**Product Specifications:**

Single Hole Deck Mount Mixing Faucet, Eterna Cartridges, Lever Handles, 6" Swing Nozzle w/ Stream Regulator Outlet & 18" Flexible Stainless Steel Supply Hoses w/ 1/2" NPSM Male Inlets

**Product Compliance:**

ASME A112.18.1 / CSA B125.1  
NSF 61 - Section 9  
NSF 372 (Low Lead Content)  
ANSI A117.1 (ADA)