



T&S BRASS AND BRONZE WORKS, INC.
 2 Saddleback Cove / P.O. Box 1088
 Travelers Rest, SC 29690

Model No.
B-0205-CR-VB-QD

Item No.

Travelers Rest, SC: 800-476-4103 • Simi Valley, CA: 800-423-0150 • Fax: 864-834-3518 • www.tsbrass.com



ADA Compliant

This Space for Architect/Engineer Approval

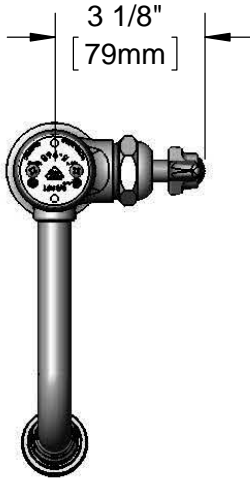
Job Name _____ Date _____

Model Specified _____ Quantity _____

Customer/Wholesaler _____

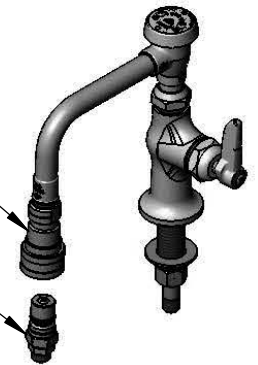
Contractor _____

Architect/Engineer _____



Quick Disconnect
 Socket

Quick Disconnect
 Plug w/ 3/8"
 Compression (9/16-24 UN)
 Male Outlet Adapter

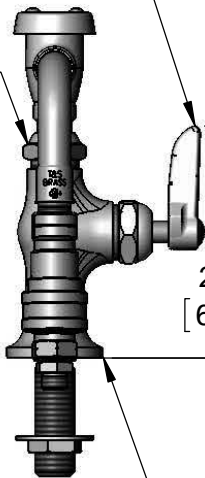


Quarter-Turn
 Cerama Cartridge &
 Lever Handle w/
 Blue Color Coded Index

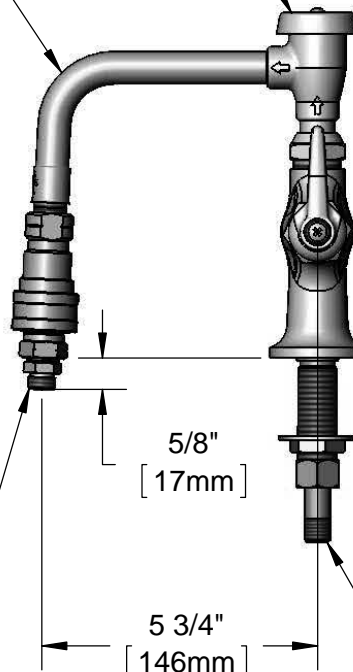
Swivel Vacuum
 Breaker Nozzle
 w/ 3/8" NPT
 Stainless Steel
 Quick Disconnect
 Outlet

B-0968
 3/8" Vacuum
 Breaker

Swivel Joint



4 13/16"
 [123mm]
 2 5/8"
 [67mm]
 3/8" Compression
 (9/16-24 UN)
 Male Thread
 Connection
 Ø 2" [51mm]
 Flange w/
 1/2" NPSM
 Male Inlet



7 3/16"
 [183mm]

5/8"
 [17mm]

1 5/8"
 [41mm]
 Maximum
 Thickness

5 3/4"
 [146mm]

150A
 Optional Tailpiece & Nut
 for 1/4" NPT Connection
 (Included)

Rough-In Requirement:
 Ø 1" [25mm] Mounting Hole

Product Specifications:

Single Hole Single Temperature Deck Mount Faucet, Quarter-Turn Cerama Cartridge, Lever Handle, Vacuum Breaker, Quick Disconnect & 1/2" NPSM Male Inlet

Product Compliance:

ASME A112.18.1 / CSA B125.1
 NSF 61 - Section 9
 NSF 372 (Low Lead Content)
 ANSI A117.1 (ADA)
 ASSE 1001 (VB)



T&S BRASS AND BRONZE WORKS, INC.

2 Saddleback Cove / P.O. Box 1088
Travelers Rest, SC 29690

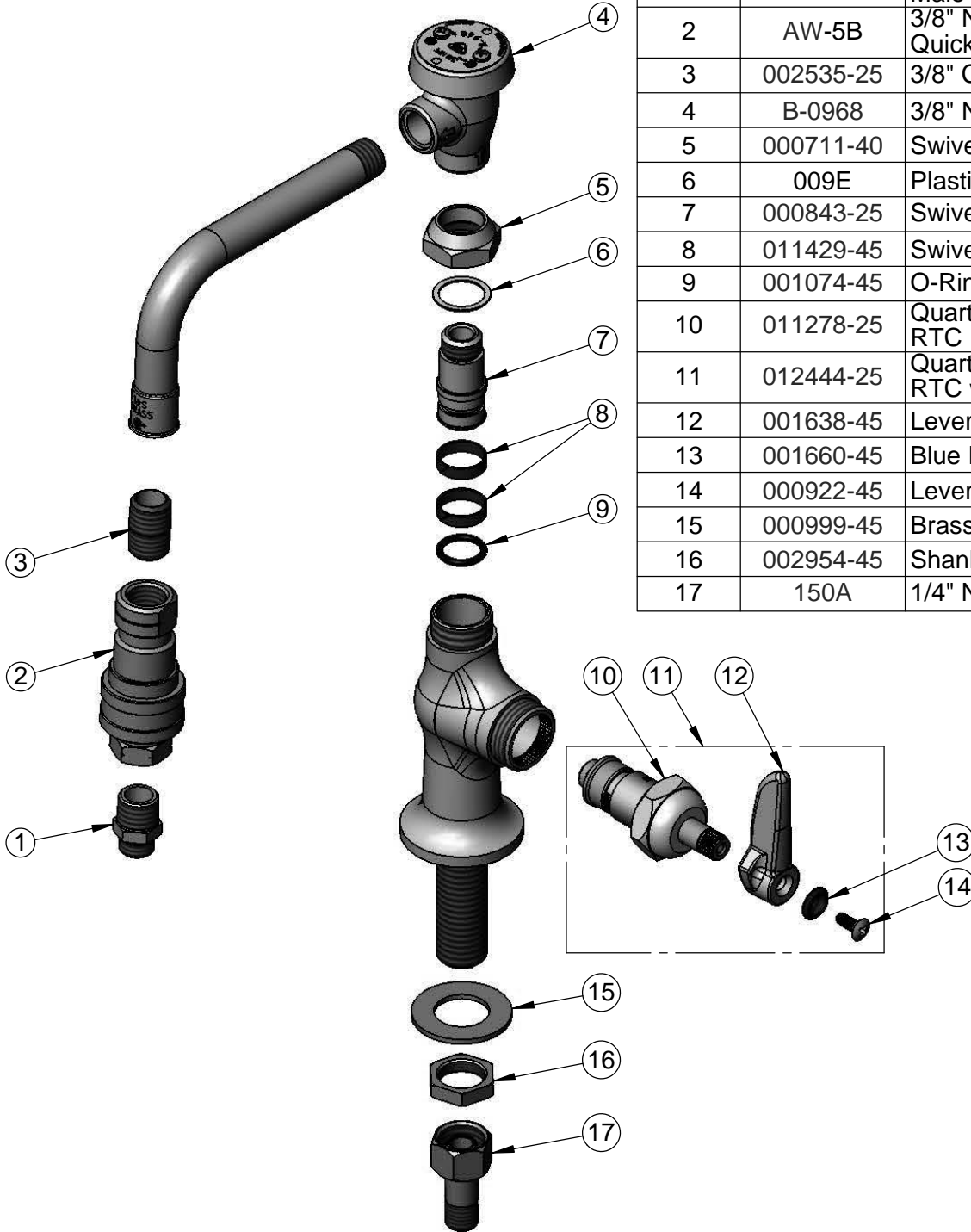
Model No.

B-0205-CR-VB-QD

Item No.

Travelers Rest, SC: 800-476-4103 • Simi Valley, CA: 800-423-0150 • Fax: 864-834-3518 • www.tsbrass.com

ITEM NO.	SALES NO.	DESCRIPTION
1	006101-45	Adapter, 3/8" NPT x 9/16"-24 UN Male
2	AW-5B	3/8" NPT Socket / Plug Water Quick Disconnect
3	002535-25	3/8" Close Nipple
4	B-0968	3/8" NPT Vacuum Breaker
5	000711-40	Swivel Nut
6	009E	Plastic Washer
7	000843-25	Swivel Body
8	011429-45	Swivel Sleeves (2)
9	001074-45	O-Ring
10	011278-25	Quarter-Turn Cerama Cartridge, RTC
11	012444-25	Quarter-Turn Cerama Cartridge, RTC w/ Handle, Index & Screw
12	001638-45	Lever Handle
13	001660-45	Blue Index-CW
14	000922-45	Lever Handle Screw
15	000999-45	Brass Lock Washer
16	002954-45	Shank Lock Nut
17	150A	1/4" NPT Tailpiece & Nut



Product Specifications:

Single Hole Single Temperature Deck Mount Faucet, Quarter-Turn Cerama Cartridge, Lever Handle, Vacuum Breaker, Quick Disconnect & 1/2" NPSM Male Inlet

Product Compliance:

ASME A112.18.1 / CSA B125.1
NSF 61 - Section 9
NSF 372 (Low Lead Content)
ANSI A117.1 (ADA)
ASSE 1001 (VB)