



T&S BRASS AND BRONZE WORKS, INC.

2 Saddleback Cove / P.O. Box 1088
Travelers Rest, SC 29690

Model No.

B-0207-CR-LS

Item No.

Travelers Rest, SC: 800-476-4103 • Simi Valley, CA: 800-423-0150 • Fax: 864-834-3518 • www.tsbrass.com



ADA Compliant

This Space for Architect/Engineer Approval

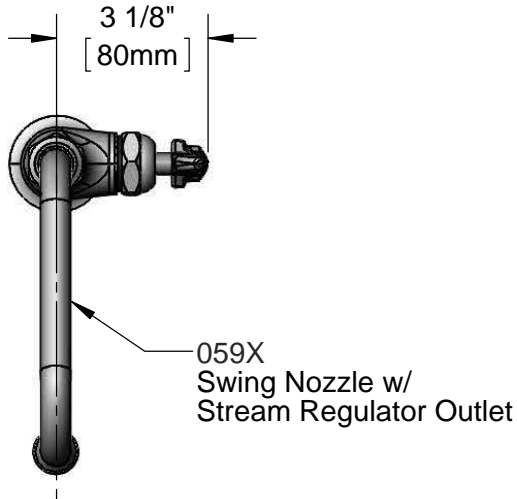
Job Name _____ Date _____

Model Specified _____ Quantity _____

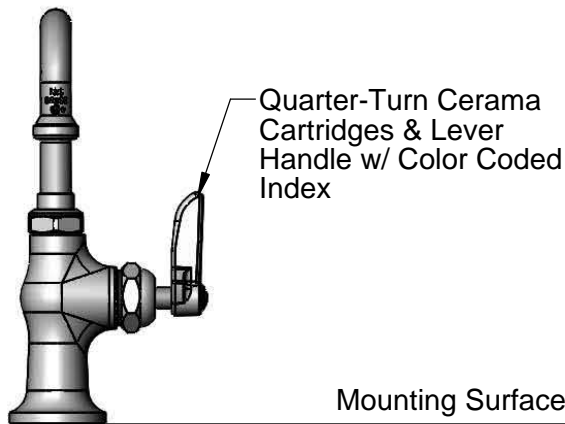
Customer/Wholesaler _____

Contractor _____

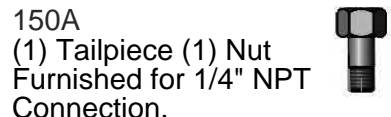
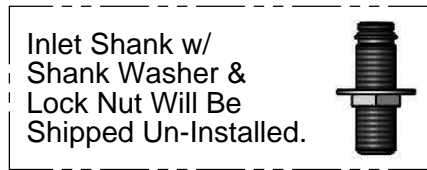
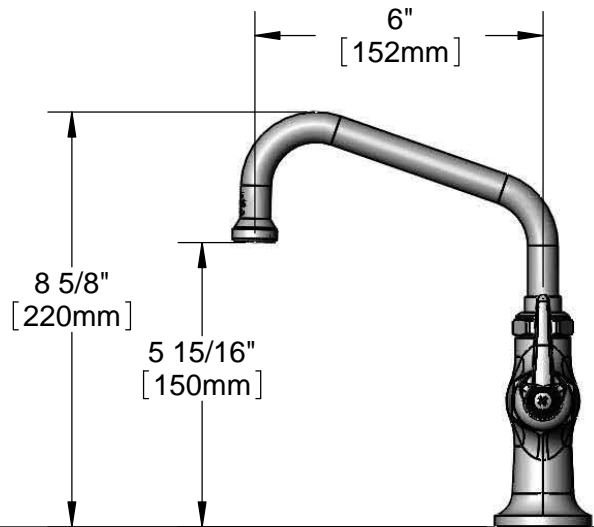
Architect/Engineer _____



059X
Swing Nozzle w/
Stream Regulator Outlet



Ø 2" [51mm]
Base w/ 3/4-20 UN
Female Inlet



Rough-In Requirement:
Ø 1" [Ø 25mm] Mounting Hole

Product Specifications:
Single Pantry Faucet w/ Quarter-Turn Cerama Cartridges, 6" Swing Nozzle w/ Stream Regulator Outlet, Lever Handle, Loose Shank Inlet & Tailpiece

Product Compliance:
ASME A112.18.1 / CSA B125.1
NSF 61 - Section 9
NSF 372 (Low Lead Content)
ANSI A117.1 (ADA)



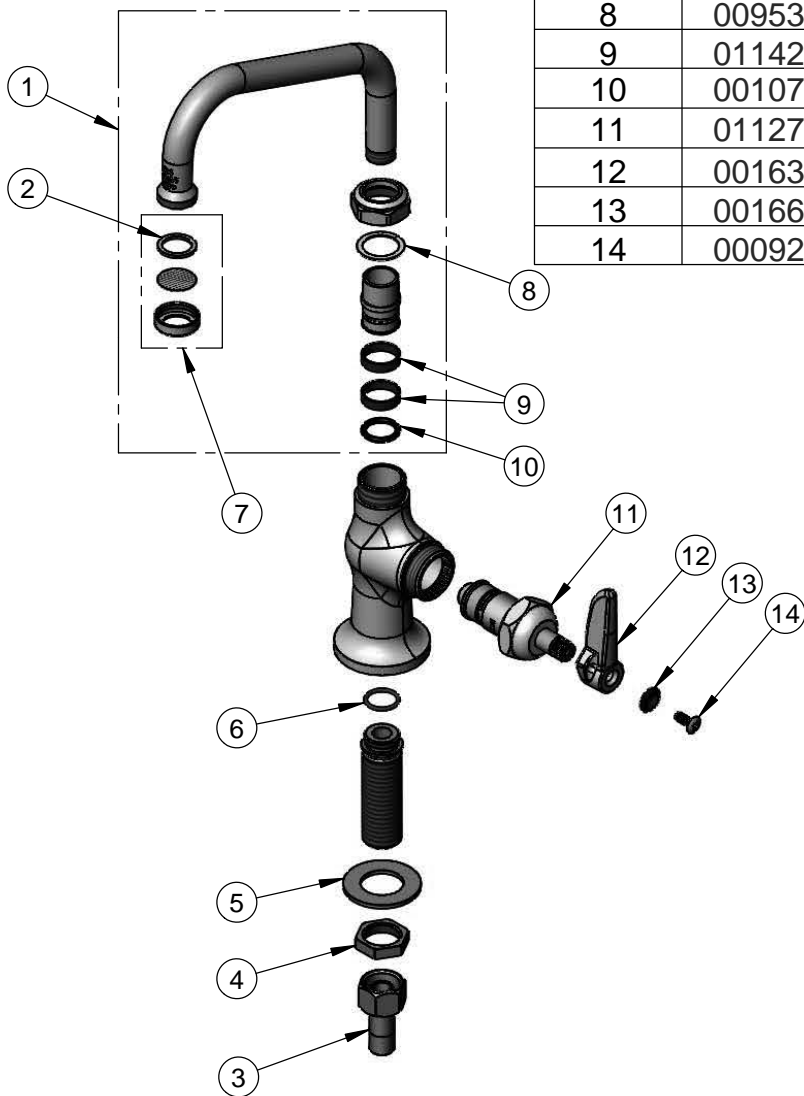
T&S BRASS AND BRONZE WORKS, INC.
 2 Saddleback Cove / P.O. Box 1088
 Travelers Rest, SC 29690

Model No.
B-0207-CR-LS

Item No.

Travelers Rest, SC: 800-476-4103 • Simi Valley, CA: 800-423-0150 • Fax: 864-834-3518 • www.tsbrass.com

ITEM NO.	SALES NO.	DESCRIPTION
1	059X	6" Swing Nozzle w/ Stream Regulator Outlet
2	001048-45	Nozzle Tip Washer
3	150A	1/4" NPT Tailpiece & Nut
4	002954-45	Shank Lock Nut
5	000999-45	Brass Lock Washer
6	001079-45	O-ring
7	B-PT	Stream Regulator Outlet
8	009538-45	Swivel Washer
9	011429-45	Swivel Sleeves (2)
10	001074-45	O-Ring
11	011278-25	Quarter-Turn Cerama Cartridge, RTC
12	001638-45	Lever Handle
13	001660-45	Blue Index-CW
14	000922-45	Lever Handle Screw



Product Specifications:

Single Pantry Faucet w/ Quarter-Turn Cerama Cartridges, 6" Swing Nozzle w/ Stream Regulator Outlet, Lever Handle, Loose Shank Inlet & Tailpiece

Product Compliance:

ASME A112.18.1 / CSA B125.1
 NSF 61 - Section 9
 NSF 372 (Low Lead Content)
 ANSI A117.1 (ADA)