



T&S BRASS AND BRONZE WORKS, INC.
 2 Saddleback Cove / P.O. Box 1088
 Travelers Rest, SC 29690

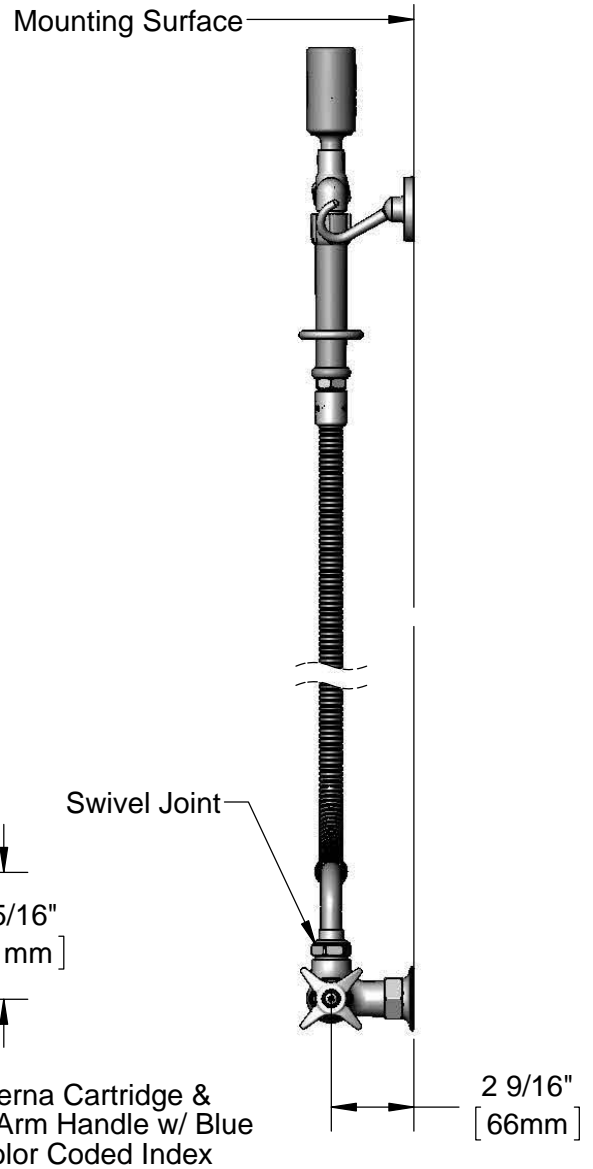
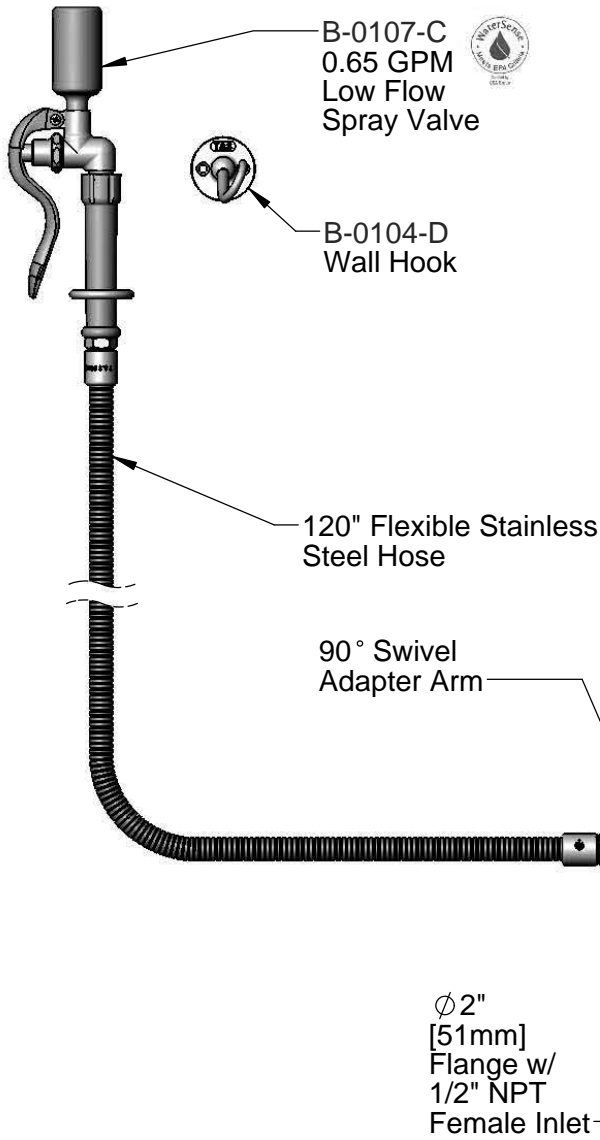
Model No.
B-0210-107C

Item No.

Travelers Rest, SC: 800-476-4103 • Simi Valley, CA: 800-423-0150 • Fax: 864-834-3518 • www.tsbrass.com

This Space for Architect/Engineer Approval

Job Name _____ Date _____
 Model Specified _____ Quantity _____
 Customer/Wholesaler _____
 Contractor _____
 Architect/Engineer _____



Product Specifications:

Single Hole Single Temperature Wall Mount Faucet, Eterna Cartridge, 4-Arm Handle, Swivel Adapter Arm, 120" Flexible Stainless Steel Hose, 0.65 GPM Low Flow Spray Valve, Wall Hook & 1/2" NPT Female Inlet

Product Compliance:

ASME A112.18.1 / CSA B125.1
 NSF 61 - Section 9
 NSF 372 (Low Lead Content)
 EPA Act 2005 (PRSV)
 EPA WaterSense (PRSV)



T&S BRASS AND BRONZE WORKS, INC.

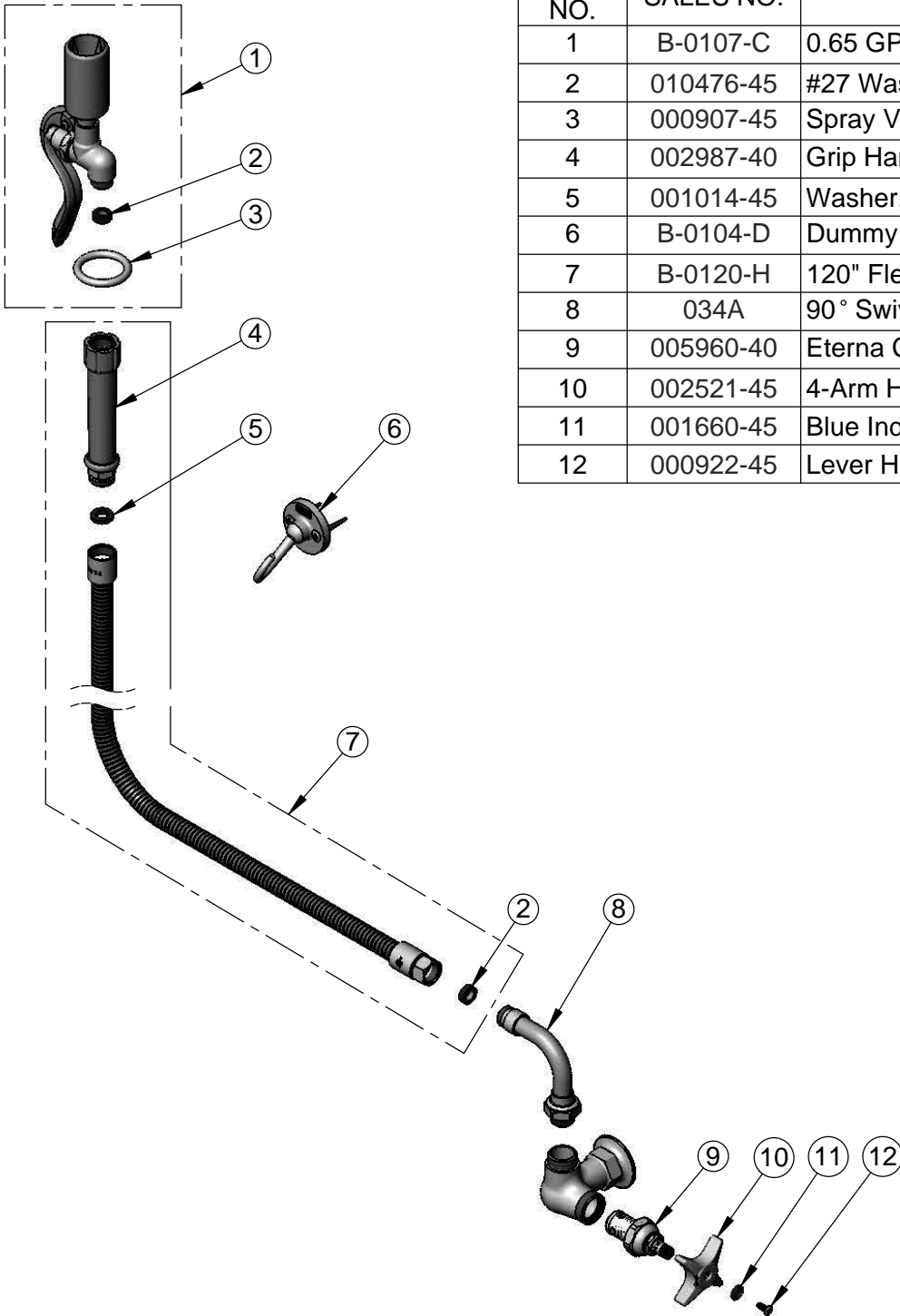
2 Saddleback Cove / P.O. Box 1088
Travelers Rest, SC 29690

Model No.

B-0210-107C

Item No.

Travelers Rest, SC: 800-476-4103 • Simi Valley, CA: 800-423-0150 • Fax: 864-834-3518 • www.tsbrass.com



ITEM NO.	SALES NO.	DESCRIPTION
1	B-0107-C	0.65 GPM Low Flow Spray Valve
2	010476-45	#27 Washer
3	000907-45	Spray Valve Hold Down Ring
4	002987-40	Grip Handle
5	001014-45	Washer, B-0100 Hose Barrel
6	B-0104-D	Dummy Wall Hook Bracket
7	B-0120-H	120" Flexible Stainless Steel Hose
8	034A	90° Swivel Adapter Arm
9	005960-40	Eterna Cartridge, RTC
10	002521-45	4-Arm Handle
11	001660-45	Blue Index-CW
12	000922-45	Lever Handle Screw

Product Specifications:

Single Hole Single Temperature Wall Mount Faucet, Eterna Cartridge, 4-Arm Handle, Swivel Adapter Arm, 120" Flexible Stainless Steel Hose, 0.65 GPM Low Flow Spray Valve, Wall Hook & 1/2" NPT Female Inlet

Product Compliance:

ASME A112.18.1 / CSA B125.1
NSF 61 - Section 9
NSF 372 (Low Lead Content)
EPA Act 2005 (PRSV)
EPA WaterSense (PRSV)