



T&S BRASS AND BRONZE WORKS, INC.

2 Saddleback Cove / P.O. Box 1088
Travelers Rest, SC 29690

Model No.

B-0210-131X-CR4

Item No.

Travelers Rest, SC: 800-476-4103 • Simi Valley, CA: 800-423-0150 • Fax: 864-834-3518 • www.tsbrass.com



ADA Compliant

This Space for Architect/Engineer Approval

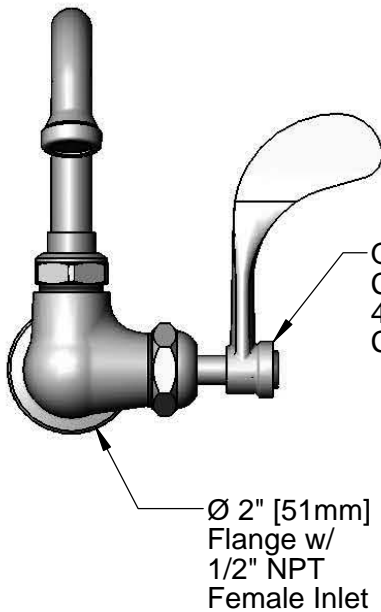
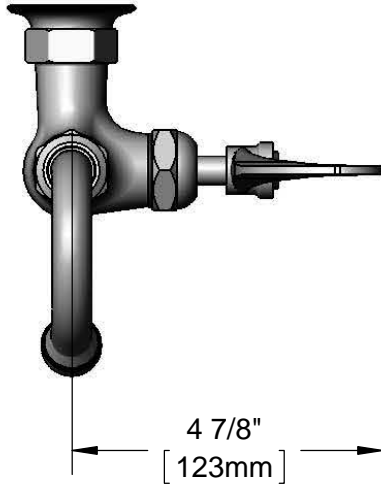
Job Name _____ Date _____

Model Specified _____ Quantity _____

Customer/Wholesaler _____

Contractor _____

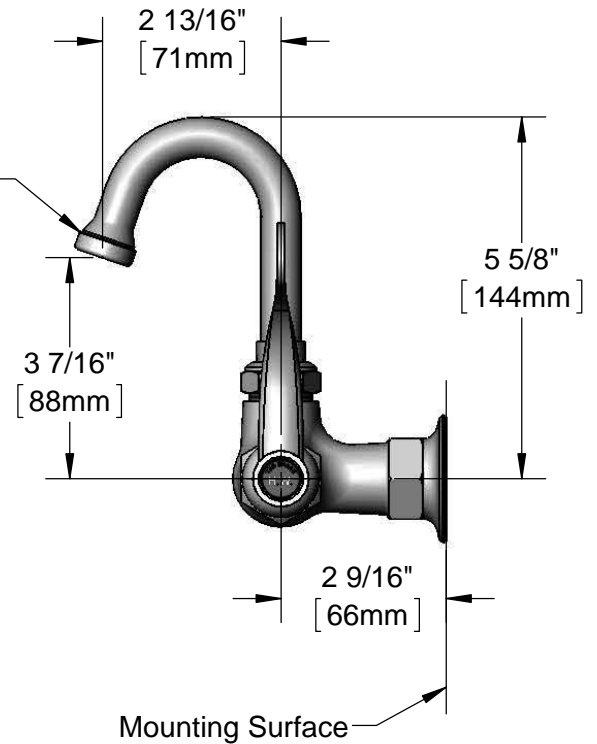
Architect/Engineer _____



131X
Swivel Gooseneck w/
Stream Regulator Outlet

Quarter-Turn
Cerama Cartridges &
4\" Wrist Action Handle w/
Color Coded (HW) Index

Ø 2\" [51mm]
Flange w/
1/2\" NPT
Female Inlet



Product Specifications:

Single Supply Wall Mount Faucet, Cerama Cartridge, 4\" Wrist Action Handle, Swivel Gooseneck w/ Stream Regulator Outlet & 1/2\" NPT Female Inlet

Product Compliance:

ASME A112.18.1 / CSA B125.1
NSF 61 - Section 9
NSF 372 (Low Lead Content)
ANSI A117.1 (ADA)



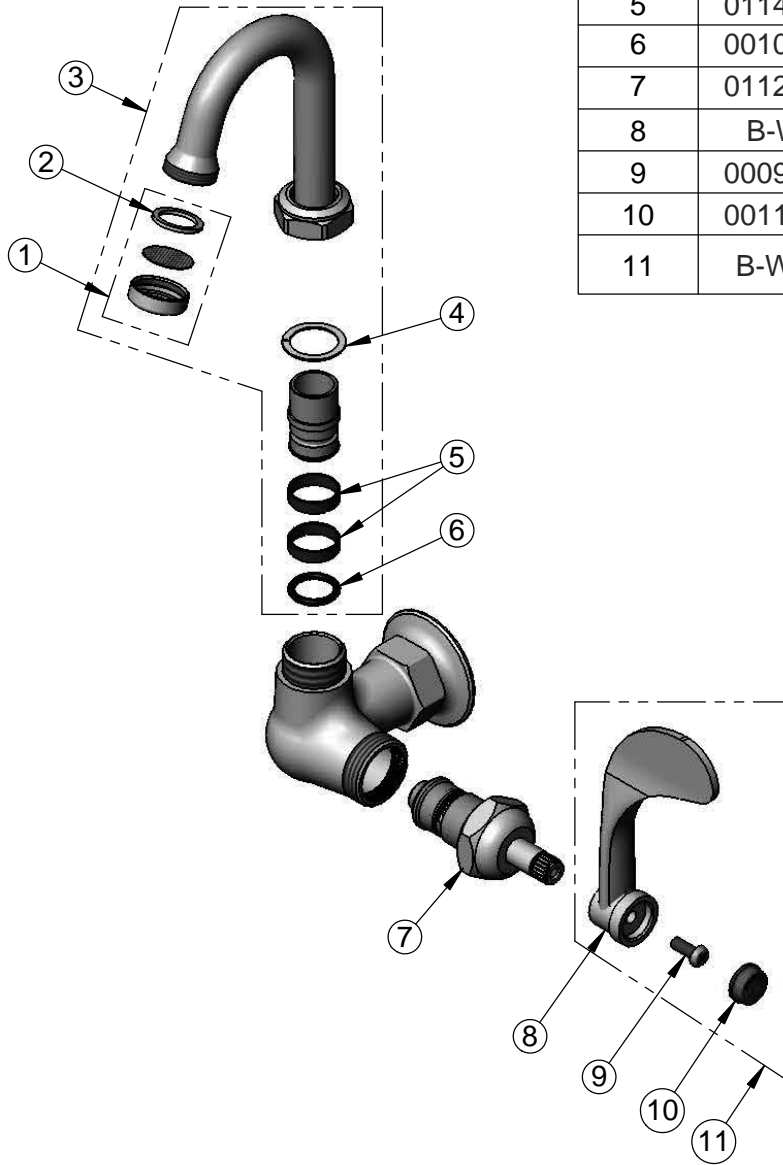
T&S BRASS AND BRONZE WORKS, INC.
 2 Saddleback Cove / P.O. Box 1088
 Travelers Rest, SC 29690

Model No.
B-0210-131X-CR4

Item No.

Travelers Rest, SC: 800-476-4103 • Simi Valley, CA: 800-423-0150 • Fax: 864-834-3518 • www.tsbrass.com

ITEM NO.	SALES NO.	DESCRIPTION
1	B-PT	Stream Regulator Outlet
2	001048-45	Nozzle Tip Washer
3	131X	3" Swivel Gooseneck
4	009538-45	Swivel Washer
5	011429-45	Swivel Sleeves (2)
6	001074-45	O-Ring
7	011278-25	Quarter-Turn Cerama Cartridge, RTC
8	B-WH4	4" Wrist Action Handle
9	000925-45	Lab Handle Screw
10	001194-45	Red Index - HW
11	B-WH4H	4" Wrist Action Handle, Screw & Hot Index



Product Specifications:

Single Supply Wall Mount Faucet, Cerama Cartridge, 4" Wrist Action Handle, Swivel Gooseneck w/ Stream Regulator Outlet & 1/2" NPT Female Inlet

Product Compliance:

ASME A112.18.1 / CSA B125.1
 NSF 61 - Section 9
 NSF 372 (Low Lead Content)
 ANSI A117.1 (ADA)