



T&S BRASS AND BRONZE WORKS, INC.

2 Saddleback Cove / P.O. Box 1088
Travelers Rest, SC 29690

Model No.

B-0220-060X

Item No.

Travelers Rest, SC: 800-476-4103 • Simi Valley, CA: 800-423-0150 • Fax: 864-834-3518 • www.tsbrass.com

This Space for Architect/Engineer Approval

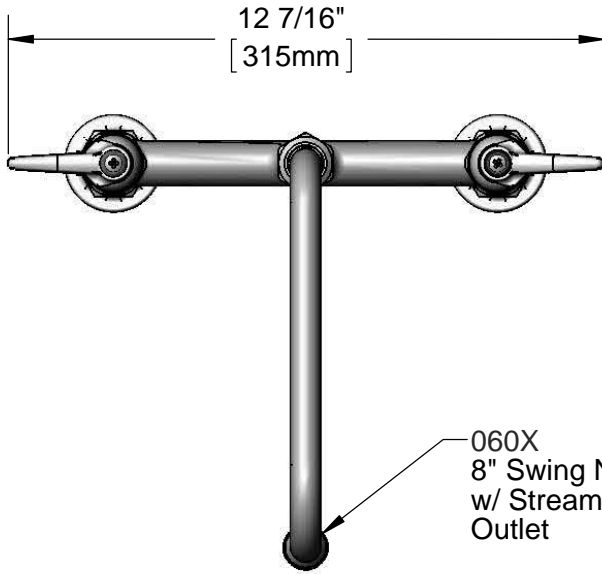
Job Name _____ Date _____

Model Specified _____ Quantity _____

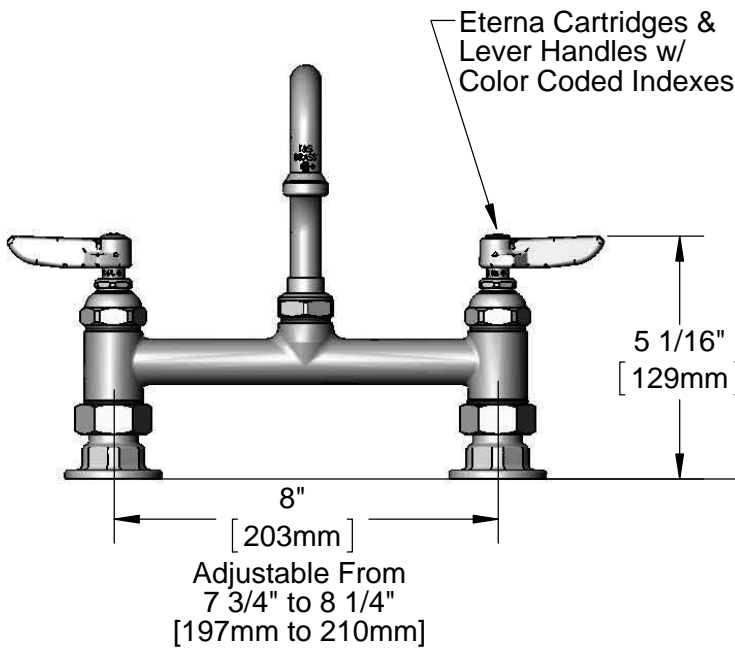
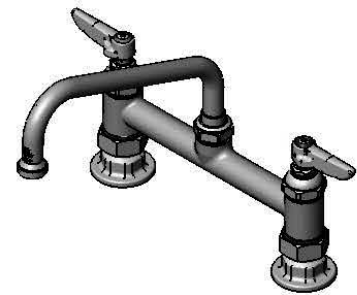
Customer/Wholesaler _____

Contractor _____

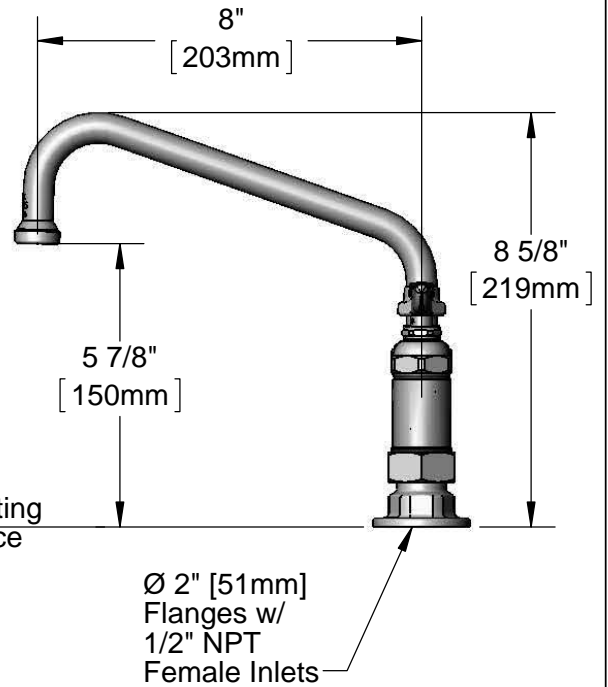
Architect/Engineer _____



060X
8" Swing Nozzle
w/ Stream Regulator
Outlet



Eterna Cartridges &
Lever Handles w/
Color Coded Indexes



Mounting
Surface

Product Specifications:

8" Deck Mount Mixing Faucet, Eterna Cartridges, 8" Swing Nozzle w/ Stream Regulator Outlet, Lever Handles & 1/2" NPT Female Inlets

Product Compliance:

ASME A112.18.1 / CSA B125.1
NSF 61 - Section 9
NSF 372 (Low Lead Content)
ANSI A117.1 (ADA)



T&S BRASS AND BRONZE WORKS, INC.

2 Saddleback Cove / P.O. Box 1088
Travelers Rest, SC 29690

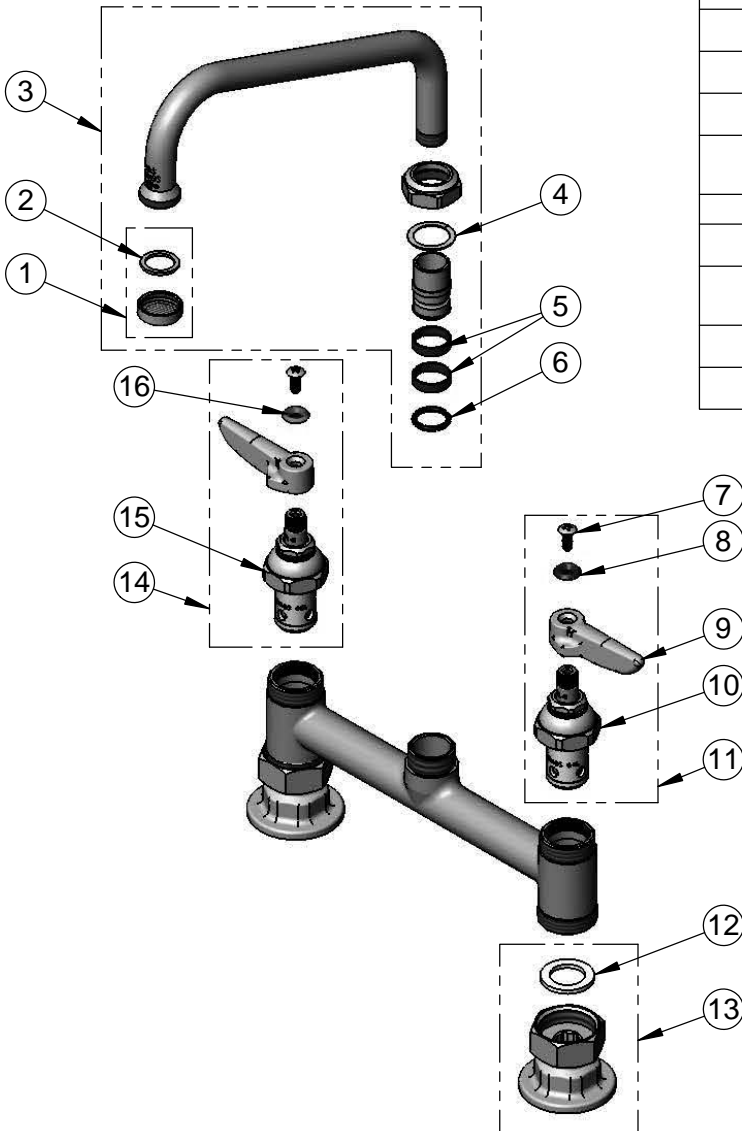
Model No.

B-0220-060X

Item No.

Travelers Rest, SC: 800-476-4103 • Simi Valley, CA: 800-423-0150 • Fax: 864-834-3518 • www.tsbrass.com

ITEM NO.	SALES NO.	DESCRIPTION
1	B-PT	Stream Regulator Outlet
2	001048-45	Nozzle Tip Washer
3	060X	8" Swing Nozzle w/ Stream Regulator Outlet
4	009538-45	Swivel Washer
5	011429-45	Swivel Sleeves (2)
6	001074-45	O-ring
7	000922-45	Lever Handle Screw
8	001660-45	Blue Index-CW
9	001638-45	Lever Handle
10	005959-40	Eterna Cartridge, LTC
11	002713-40	Eterna Cartridge LTC w/ Handle, Index & Screw
12	001019-45	Coupling Nut Washer
13	00AA	1/2" NPT Female Eccentric Flange
14	002714-40	Eterna Cartridge, RTC w/ Handle, Index & Screw
15	005960-40	Eterna Cartridge, RTC
16	001661-45	Red Index-HW



Product Specifications:

8" Deck Mount Mixing Faucet, Eterna Cartridges, 8" Swing Nozzle w/ Stream Regulator Outlet, Lever Handles & 1/2" NPT Female Inlets

Product Compliance:

ASME A112.18.1 / CSA B125.1
NSF 61 - Section 9
NSF 372 (Low Lead Content)
ANSI A117.1 (ADA)