



**T&S BRASS AND BRONZE WORKS, INC.**  
 2 Saddleback Cove / P.O. Box 1088  
 Travelers Rest, SC 29690

Model No.  
**B-0220-CR-LN**

Item No.

Travelers Rest, SC: 800-476-4103 • Simi Valley, CA: 800-423-0150 • Fax: 864-834-3518 • www.tsbrass.com



**ADA Compliant**

This Space for Architect/Engineer Approval

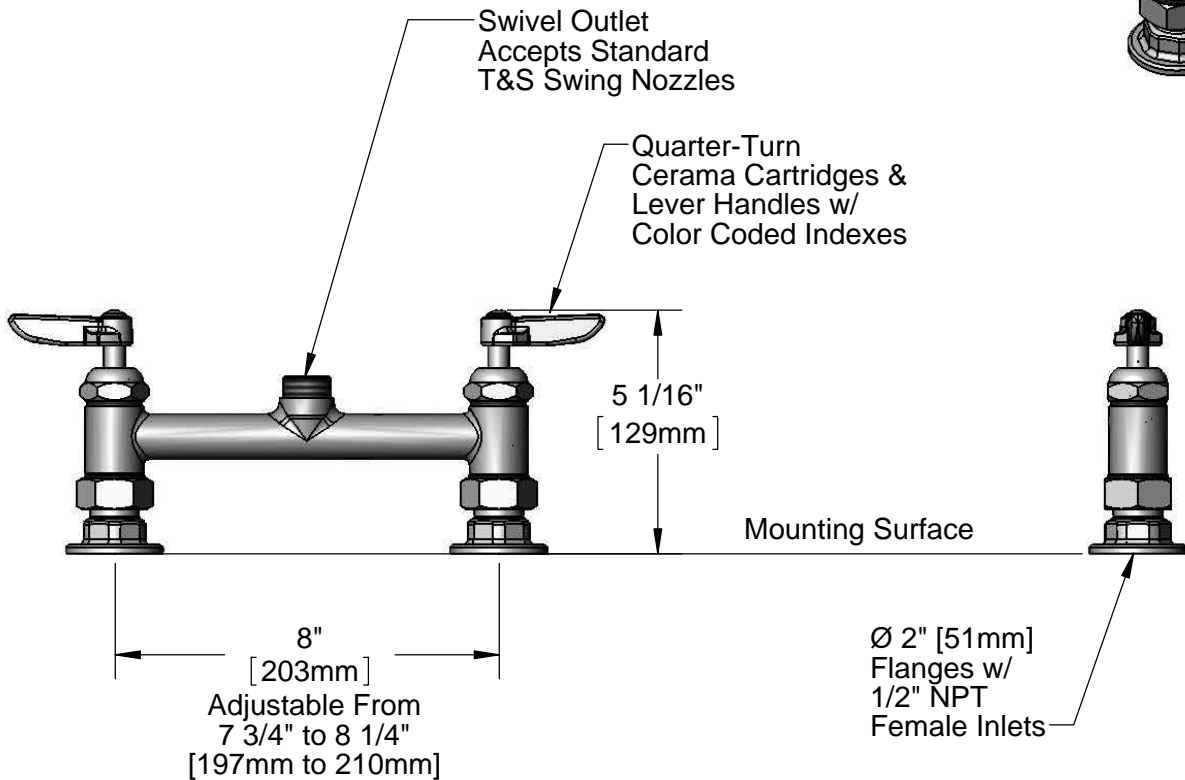
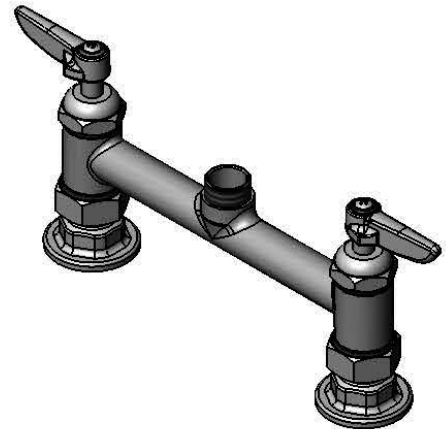
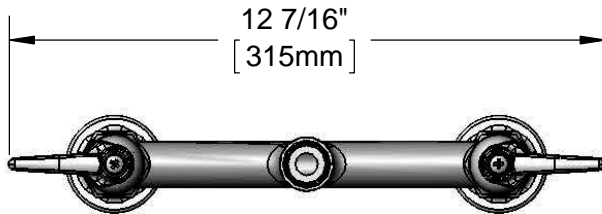
Job Name \_\_\_\_\_ Date \_\_\_\_\_

Model Specified \_\_\_\_\_ Quantity \_\_\_\_\_

Customer/Wholesaler \_\_\_\_\_

Contractor \_\_\_\_\_

Architect/Engineer \_\_\_\_\_



Product Specifications:  
 8" Deck Mount Mixing Faucet, Quarter-Turn Cerama Cartridges, Lever Handles & 1/2" NPT Female Inlets, Less Nozzle

Product Compliance:  
 ASME A112.18.1 / CSA B125.1  
 NSF 61 - Section 9  
 NSF 372 (Low Lead Content)  
 ANSI A117.1 (ADA)



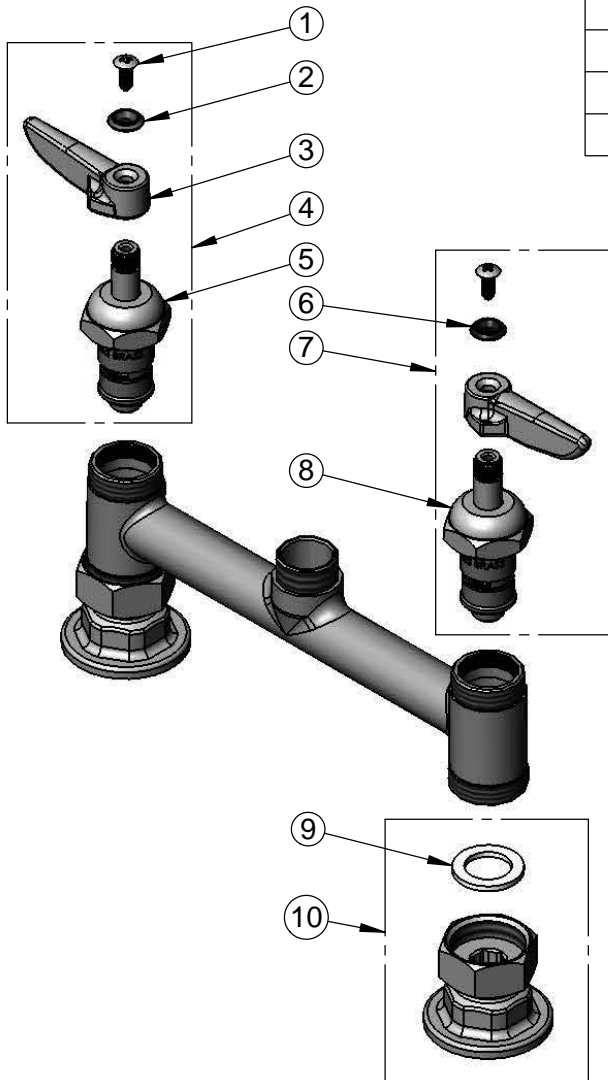
**T&S BRASS AND BRONZE WORKS, INC.**  
 2 Saddleback Cove / P.O. Box 1088  
 Travelers Rest, SC 29690

Model No.  
**B-0220-CR-LN**

Item No.

Travelers Rest, SC: 800-476-4103 • Simi Valley, CA: 800-423-0150 • Fax: 864-834-3518 • www.tsbrass.com

ITEM NO.	SALES NO.	DESCRIPTION
1	000922-45	Lever Handle Screw
2	001661-45	Red Index-HW
3	001638-45	Lever Handle
4	012444-25	Quarter-Turn Cerama Cartridge, RTC w/ Handle, Index & Screw
5	011278-25	Quarter-Turn Cerama Cartridge, RTC
6	001660-45	Blue Index-CW
7	012445-25	Quarter-Turn Cerama Cartridge, LTC w/ Handle, Index & Screw
8	011279-25	Quarter-Turn Cerama Cartridge, LTC
9	001019-45	Coupling Nut Washer
10	00AA	1/2" NPT Flange Assembly



Product Specifications:  
 8" Deck Mount Mixing Faucet, Quarter-Turn Cerama Cartridges, Lever Handles & 1/2" NPT Female Inlets, Less Nozzle

Product Compliance:  
 ASME A112.18.1 / CSA B125.1  
 NSF 61 - Section 9  
 NSF 372 (Low Lead Content)  
 ANSI A117.1 (ADA)