



T&S BRASS AND BRONZE WORKS, INC.

2 Saddleback Cove / P.O. Box 1088
Travelers Rest, SC 29690

Model No.

B-0220-EELN

Item No.

Travelers Rest, SC: 800-476-4103 • Simi Valley, CA: 800-423-0150 • Fax: 864-834-3518 • www.tsbrass.com



ADA Compliant

This Space for Architect/Engineer Approval

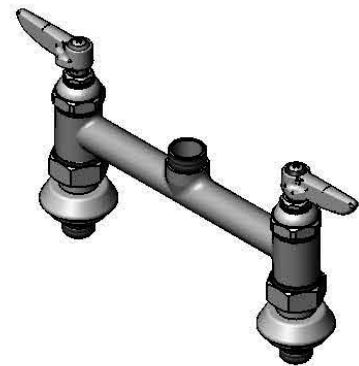
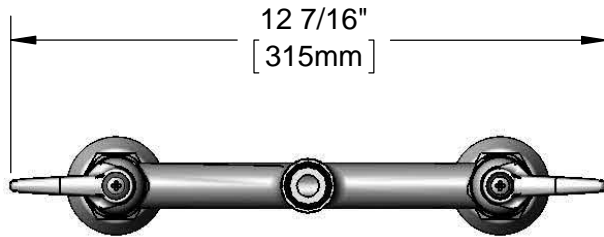
Job Name _____ Date _____

Model Specified _____ Quantity _____

Customer/Wholesaler _____

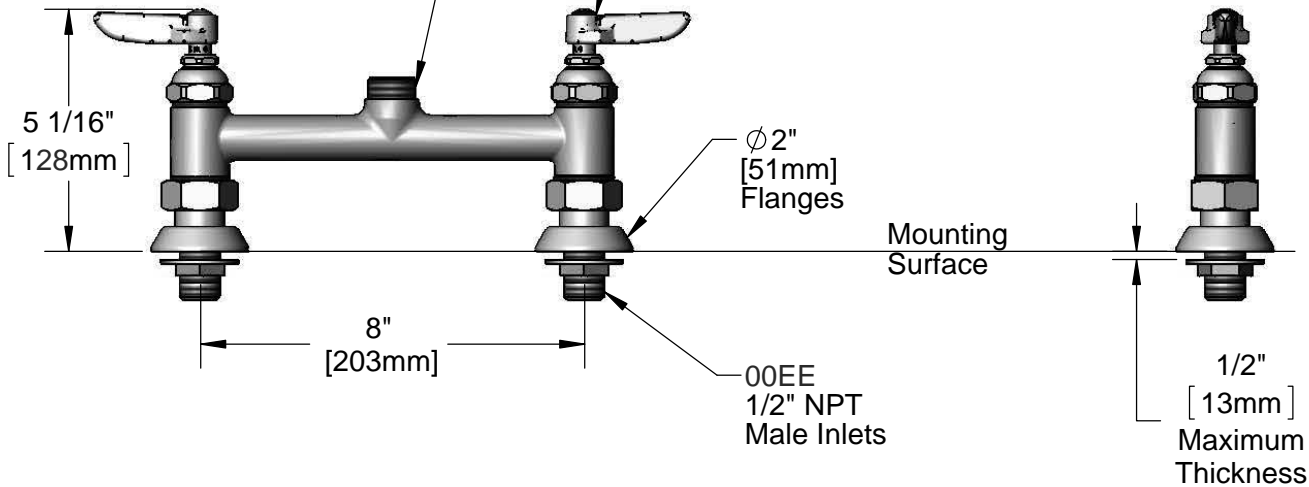
Contractor _____

Architect/Engineer _____



Swivel Outlet Accepts
Standard T&S Swing
Nozzles

Eterna Cartridges & Lever
Handles w/
Color Coded Indexes



Rough-In Requirement:
(2) ϕ 1" [25mm] Holes

Product Specifications:
8" c/c Deck Mount Faucet w/ 00EE
Male Inlets & Less Nozzle

Product Compliance:

ASME A112.18.1 / CSA B125.1
NSF 61 - Section 9
NSF 372 (Low Lead Content)
ANSI A117.1 (ADA)



T&S BRASS AND BRONZE WORKS, INC.

2 Saddleback Cove / P.O. Box 1088
Travelers Rest, SC 29690

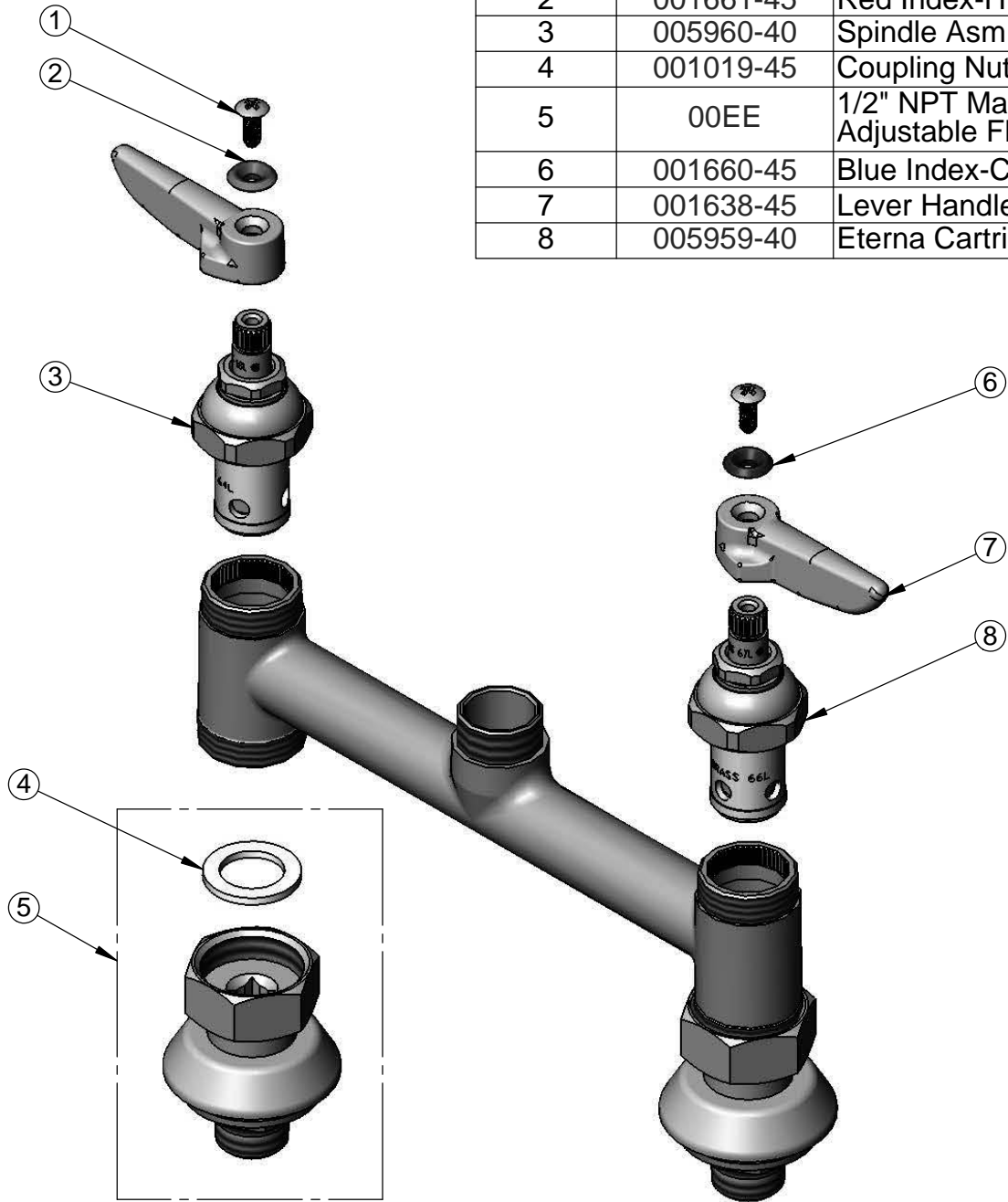
Model No.

B-0220-EELN

Item No.

Travelers Rest, SC: 800-476-4103 • Simi Valley, CA: 800-423-0150 • Fax: 864-834-3518 • www.tsbrass.com

ITEM NO.	SALES NO.	DESCRIPTION
1	000922-45	Lever Handle Screw
2	001661-45	Red Index-HW
3	005960-40	Spindle Asm, Eterna "Hot"
4	001019-45	Coupling Nut Washer
5	00EE	1/2" NPT Male Inlet w/ Adjustable Flange
6	001660-45	Blue Index-CW
7	001638-45	Lever Handle
8	005959-40	Eterna Cartridge, LTC



Product Specifications:
8" c/c Deck Mount Faucet w/ 00EE
Male Inlets & Less Nozzle

Product Compliance:
ASME A112.18.1 / CSA B125.1
NSF 61 - Section 9
NSF 372 (Low Lead Content)
ANSI A117.1 (ADA)