



# T&S BRASS AND BRONZE WORKS, INC.

2 Saddleback Cove / P.O. Box 1088  
Travelers Rest, SC 29690

Model No.

**B-0220-LNCC**

Item No.

Travelers Rest, SC: 800-476-4103 • Simi Valley, CA: 800-423-0150 • Fax: 864-834-3518 • www.tsbrass.com



**ADA Compliant**

This Space for Architect/Engineer Approval

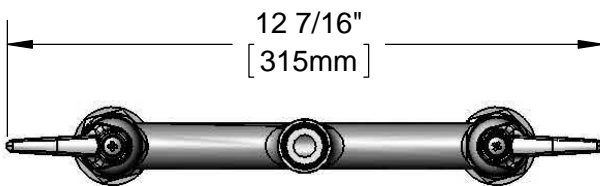
Job Name \_\_\_\_\_ Date \_\_\_\_\_

Model Specified \_\_\_\_\_ Quantity \_\_\_\_\_

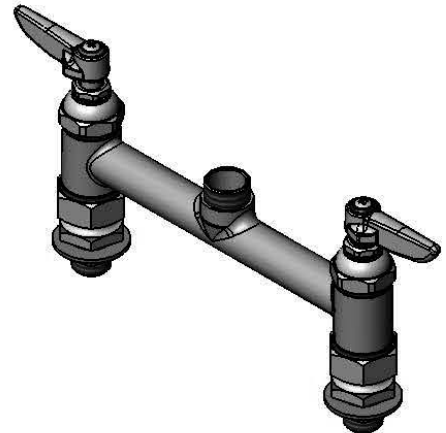
Customer/Wholesaler \_\_\_\_\_

Contractor \_\_\_\_\_

Architect/Engineer \_\_\_\_\_

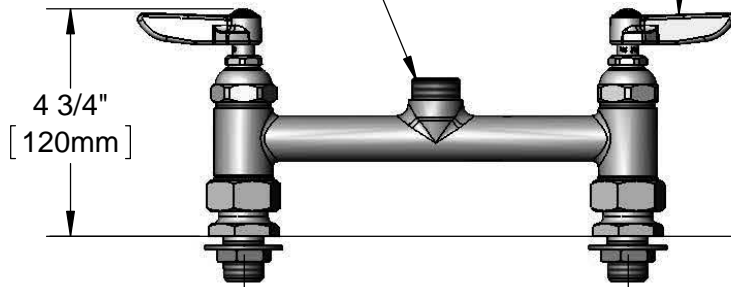


12 7/16"  
[315mm]



Swivel Outlet Accepts  
Standard T&S Swing Nozzles

Eterna Cartridges &  
Lever Handles w/  
Color Coded Indexes



4 3/4"  
[120mm]

Mounting Surface

8"  
[203mm]  
Adjustable From  
7 3/4" to 8 1/4"  
[197mm to 210mm]

1/2" NPT  
"CC" Male Inlets  
w/ 1 5/8" Hex

**Product Specifications:**

8" Deck Mount Mixing Faucet, Eterna Cartridges, Lever Handles & 1/2" NPT "CC" Male Inlets, Less Nozzle

**Product Compliance:**

ASME A112.18.1 / CSA B125.1  
NSF 61 - Section 9  
NSF 372 (Low Lead Content)  
ANSI A117.1 (ADA)



# T&S BRASS AND BRONZE WORKS, INC.

2 Saddleback Cove / P.O. Box 1088  
Travelers Rest, SC 29690

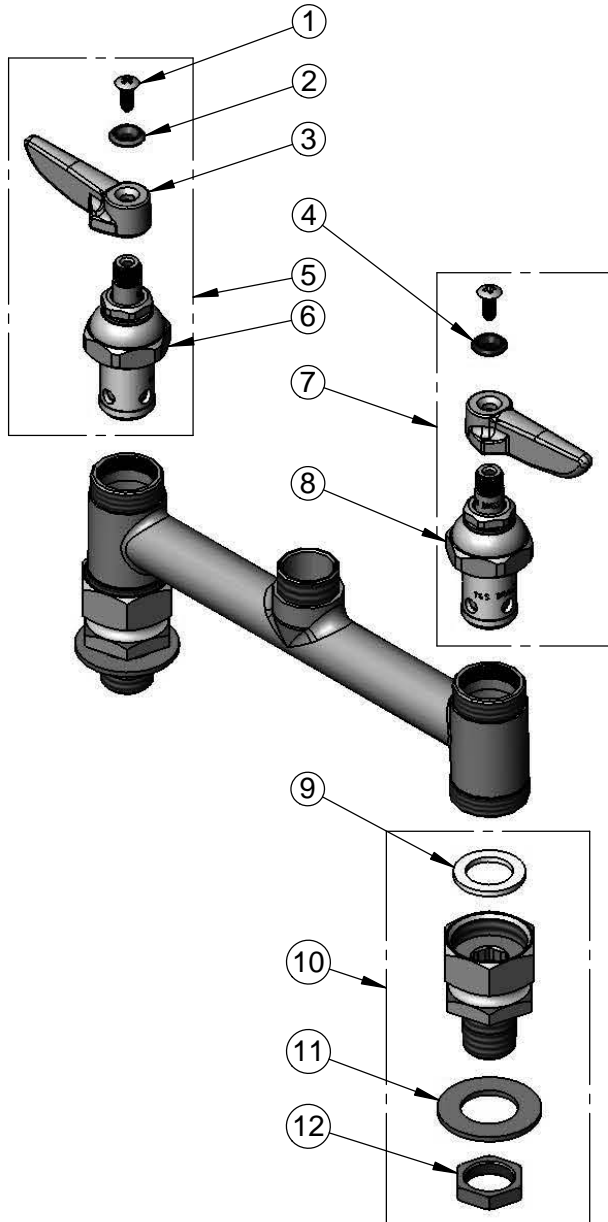
Model No.

**B-0220-LNCC**

Item No.

Travelers Rest, SC: 800-476-4103 • Simi Valley, CA: 800-423-0150 • Fax: 864-834-3518 • www.tsbrass.com

ITEM NO.	SALES NO.	DESCRIPTION
1	000922-45	Lever Handle Screw
2	001661-45	Red Index-HW
3	001638-45	Lever Handle
4	001660-45	Blue Index-CW
5	002714-40	Quarter-Turn Eterna Cartridge, RTC w/ Handle, Index & Screw
6	005960-40	Eterna Cartridge, RTC
7	002713-40	Quarter-Turn Eterna Cartridge, LTC w/ Handle, Index & Screw
8	005959-40	Eterna Cartridge, LTC
9	001019-45	Coupling Nut Washer
10	00CC	1/2" NPT Male Inlet Flange
11	000999-45	Brass Lock Washer
12	002954-45	Shank Lock Nut



**Product Specifications:**

8" Deck Mount Mixing Faucet, Eterna Cartridges, Lever Handles & 1/2" NPT "CC" Male Inlets, Less Nozzle

**Product Compliance:**

ASME A112.18.1 / CSA B125.1  
NSF 61 - Section 9  
NSF 372 (Low Lead Content)  
ANSI A117.1 (ADA)