



**T&S BRASS AND BRONZE WORKS, INC.**  
 2 Saddleback Cove / P.O. Box 1088  
 Travelers Rest, SC 29690

Model No.  
**B-0221-CC**

Item No.

Travelers Rest, SC: 800-476-4103 • Simi Valley, CA: 800-423-0150 • Fax: 864-834-3518 • www.tsbrass.com



**ADA Compliant**

This Space for Architect/Engineer Approval

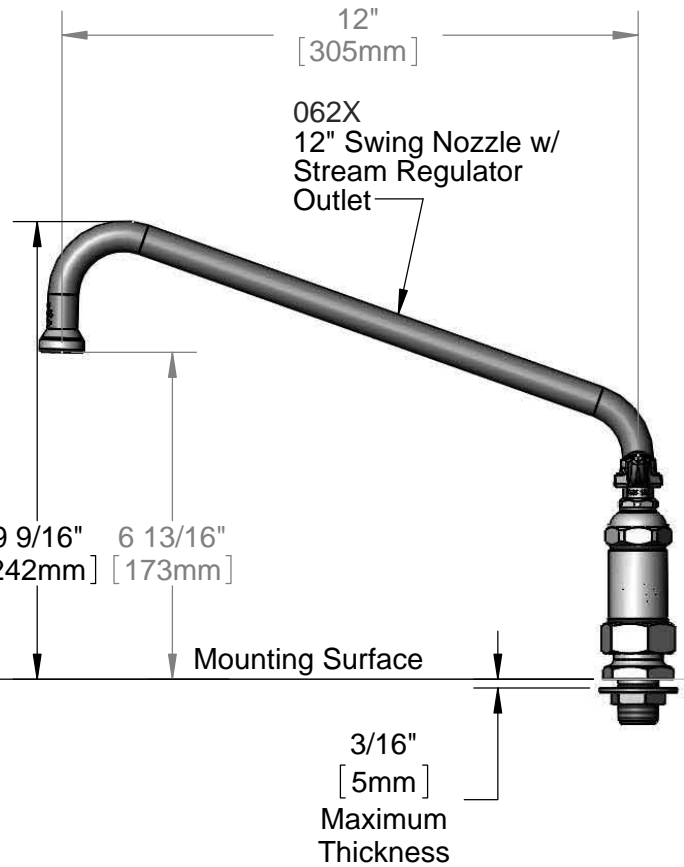
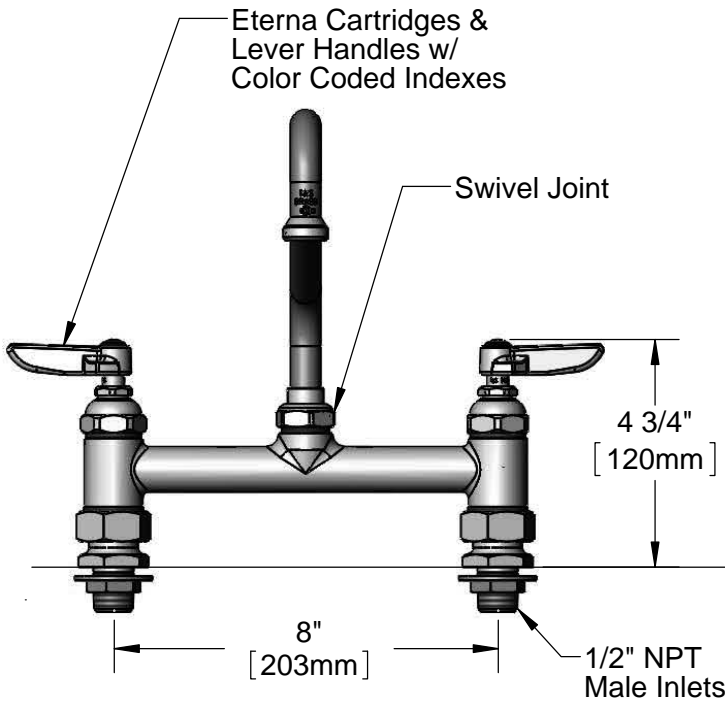
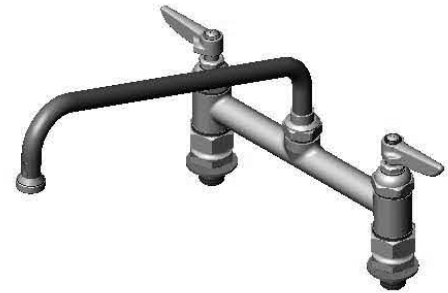
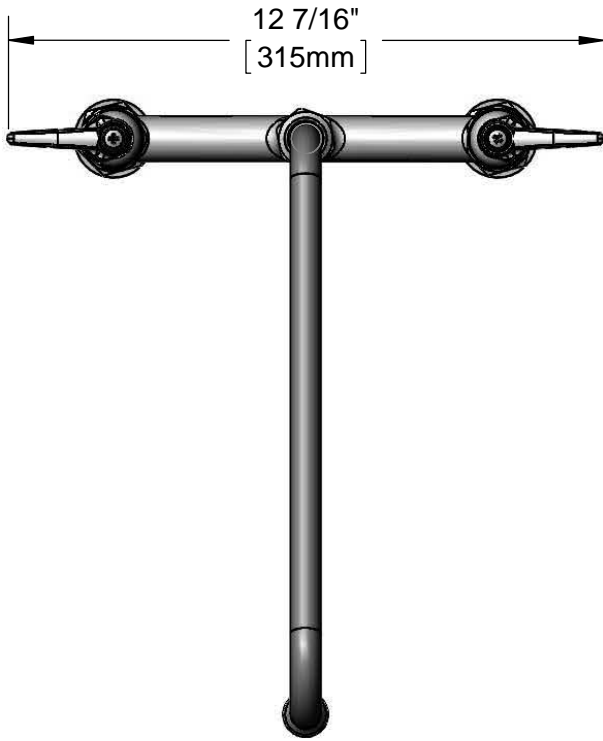
Job Name \_\_\_\_\_ Date \_\_\_\_\_

Model Specified \_\_\_\_\_ Quantity \_\_\_\_\_

Customer/Wholesaler \_\_\_\_\_

Contractor \_\_\_\_\_

Architect/Engineer \_\_\_\_\_



Rough-In Requirement:  
 (2)  $\phi$  1" [25mm] Mounting Holes

Product Specifications:  
 8" Deck Mount Mixing Faucet, Eterna Cartridges, Lever Handles,  
 12" Swing Nozzle & 1/2" NPT Male Inlets

Product Compliance:  
 ASME A112.18.1 / CSA B125.1  
 NSF 61 - Section 9  
 NSF 372 (Low Lead Content)  
 ANSI A117.1 (ADA)



# T&S BRASS AND BRONZE WORKS, INC.

2 Saddleback Cove / P.O. Box 1088  
Travelers Rest, SC 29690

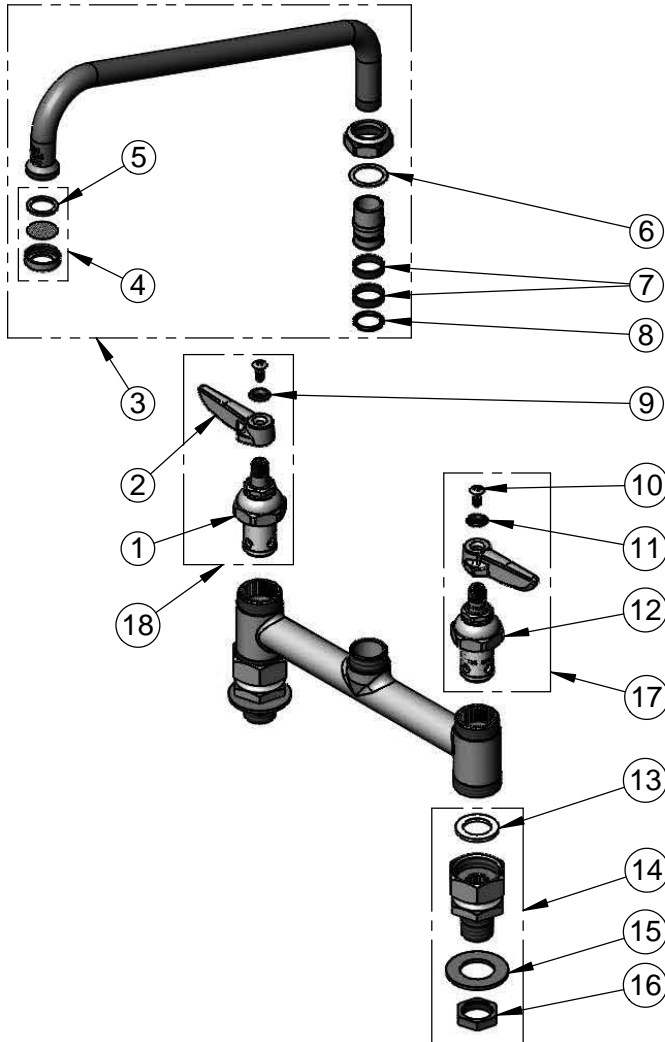
Model No.

**B-0221-CC**

Item No.

Travelers Rest, SC: 800-476-4103 • Simi Valley, CA: 800-423-0150 • Fax: 864-834-3518 • www.tsbrass.com

ITEM NO.	SALES NO.	DESCRIPTION
1	005960-40	Eterna Cartridge, RTC
2	001638-45	Lever Handle
3	062X	12" Swing Nozzle
4	B-PT	Stream Regulator Outlet
5	001048-45	Nozzle Tip Washer
6	009538-45	Swivel Washer
7	011429-45	Swivel Sleeves (2)
8	001074-45	O-Ring
9	001661-45	Red Index-HW
10	000922-45	Lever Handle Screw
11	001660-45	Blue Index-CW
12	005959-40	Eterna Cartridge, LTC
13	001019-45	Coupling Nut Washer
14	00CC	1/2" NPT Male Inlet Flange
15	000999-45	Brass Lock Washer
16	002954-45	Shank Lock Nut
17	002713-40	Eterna Cartridge, LTC w/ Handle, Index & Screw
18	002714-40	Eterna Cartridge, RTC w/ Handle, Index & Screw



**Product Specifications:**

8" Deck Mount Mixing Faucet, Eterna Cartridges, Lever Handles, 12" Swing Nozzle & 1/2" NPT Male Inlets

**Product Compliance:**

ASME A112.18.1 / CSA B125.1  
NSF 61 - Section 9  
NSF 372 (Low Lead Content)  
ANSI A117.1 (ADA)