



T&S BRASS AND BRONZE WORKS, INC.
 2 Saddleback Cove / P.O. Box 1088
 Travelers Rest, SC 29690

Model No.

B-0225-CR-LN

Item No.

Travelers Rest, SC: 800-476-4103 • Simi Valley, CA: 800-423-0150 • Fax: 864-834-3518 • www.tsbrass.com



ADA Compliant

This Space for Architect/Engineer Approval

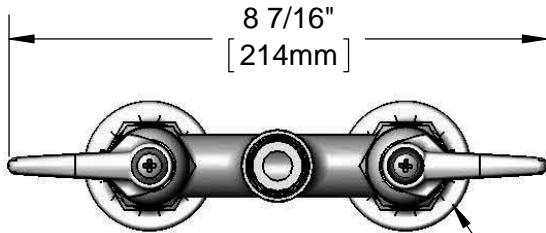
Job Name _____ Date _____

Model Specified _____ Quantity _____

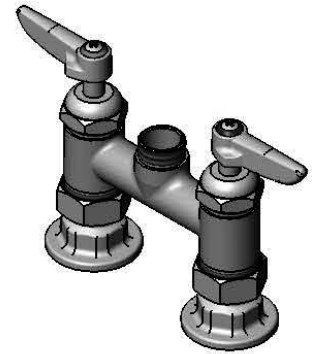
Customer/Wholesaler _____

Contractor _____

Architect/Engineer _____

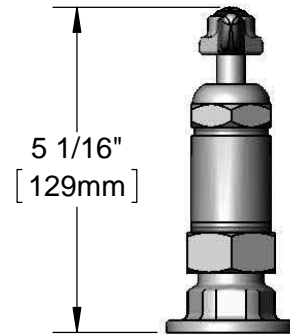
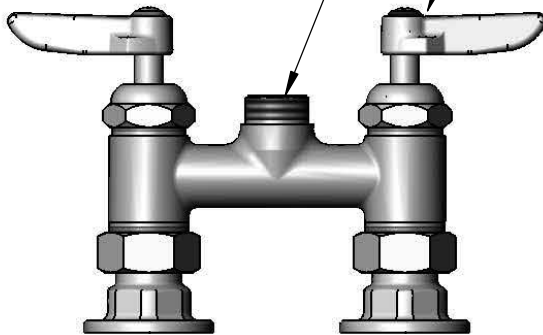


Ø 2" [51mm]
 Flanges w/
 1/2" NPT
 Female Inlets



Swivel Outlet Accepts
 Standard T&S Swing
 Nozzles

Quarter-Turn
 Cerama Cartridges &
 Lever Handles w/
 Color Coded Indexes



4"
 [102mm]

Adjustable From
 3 3/4" to 4 1/4"
 [95mm to 108mm]

Product Specifications:

4" Deck Mount Faucet, Cerama Cartridges, Lever Handles
 & 1/2" NPT Female Inlets

Product Compliance:

ASME A112.18.1 / CSA B125.1
 NSF 61 - Section 9
 NSF 372 (Low Lead Content)
 ANSI A117.1 (ADA)



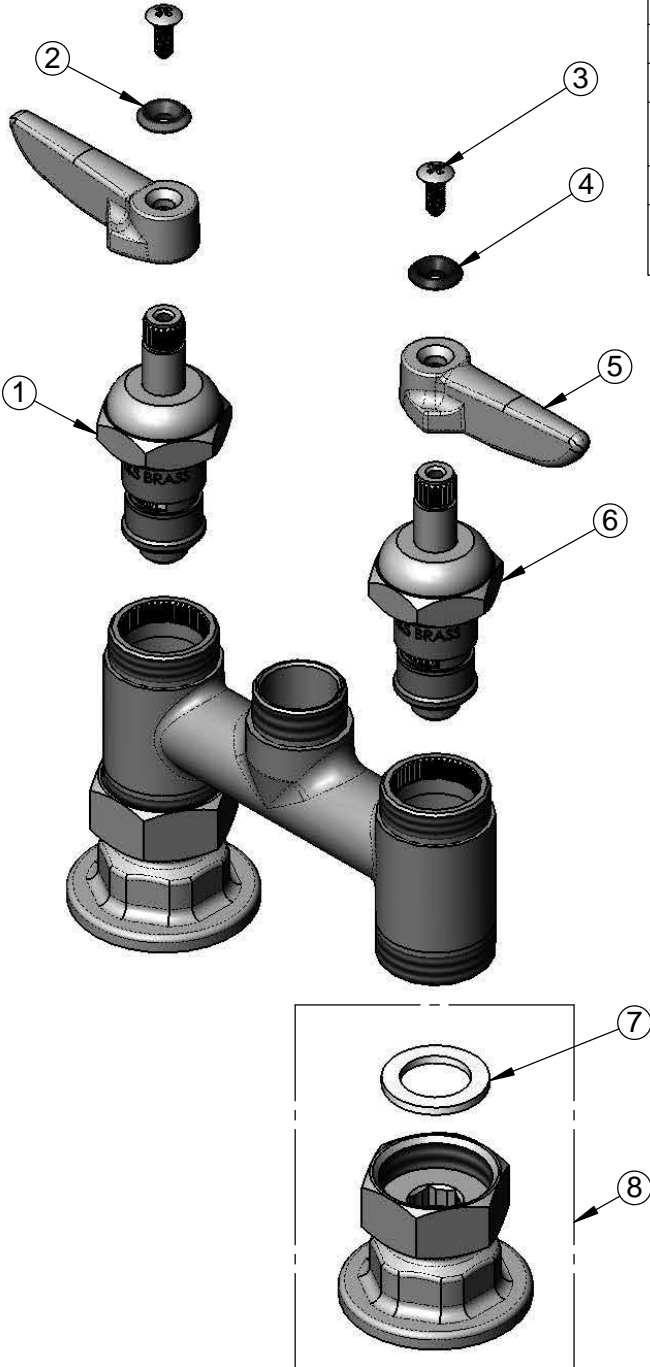
T&S BRASS AND BRONZE WORKS, INC.
 2 Saddleback Cove / P.O. Box 1088
 Travelers Rest, SC 29690

Model No.
B-0225-CR-LN

Item No.

Travelers Rest, SC: 800-476-4103 • Simi Valley, CA: 800-423-0150 • Fax: 864-834-3518 • www.tsbrass.com

ITEM NO.	SALES NO.	DESCRIPTION
1	011278-25	Quarter-Turn Cerama Cartridge, RTC
2	001661-45	Red Index-HW
3	000922-45	Lever Handle Screw
4	001660-45	Blue Index-CW
5	001638-45	Lever Handle
6	011279-25	Quarter-Turn Cerama Cartridge, LTC
7	001019-45	Coupling Nut Washer
8	00AA	1/2" NPT Female Eccentric Flange



Product Specifications:
 4" Deck Mount Faucet, Cerama Cartridges, Lever Handles
 & 1/2" NPT Female Inlets

Product Compliance:
 ASME A112.18.1 / CSA B125.1
 NSF 61 - Section 9
 NSF 372 (Low Lead Content)
 ANSI A117.1 (ADA)