



# T&S BRASS AND BRONZE WORKS, INC.

2 Saddleback Cove / P.O. Box 1088  
Travelers Rest, SC 29690

Model No.

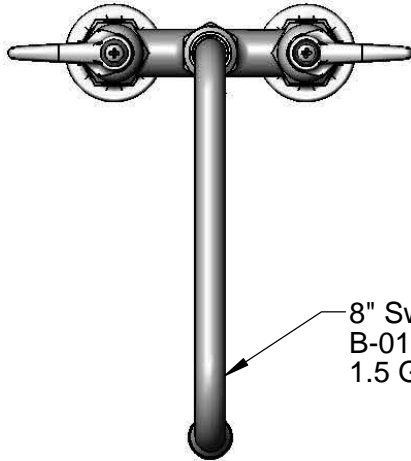
**B-0227-CR-WS**

Item No.

Travelers Rest, SC: 800-476-4103 • Simi Valley, CA: 800-423-0150 • Fax: 864-834-3518 • www.tsbrass.com



**ADA Compliant**



8" Swing Nozzle w/  
B-0199-01-WS  
1.5 GPM Aerator

This Space for Architect/Engineer Approval

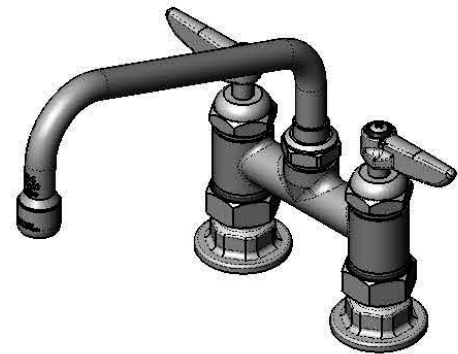
Job Name \_\_\_\_\_ Date \_\_\_\_\_

Model Specified \_\_\_\_\_ Quantity \_\_\_\_\_

Customer/Wholesaler \_\_\_\_\_

Contractor \_\_\_\_\_

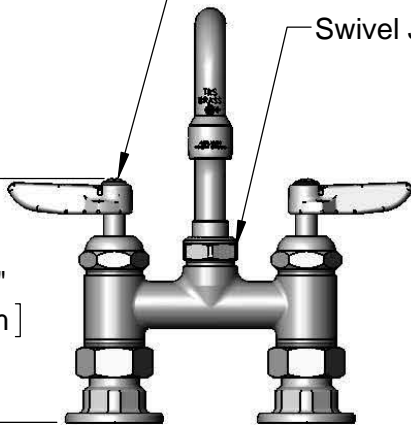
Architect/Engineer \_\_\_\_\_



Quarter-Turn  
Cerama Cartridges &  
Lever Handles w/  
Color Coded Indexes

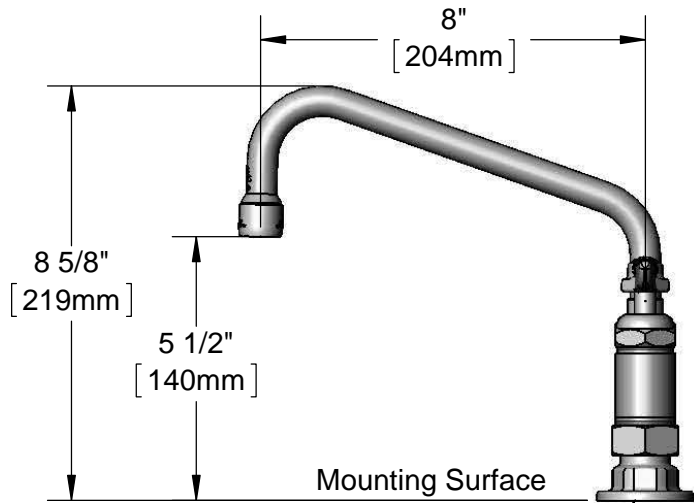
Swivel Joint

5 1/16"  
[129mm]



4"  
[102mm]

Adjustable from  
3 3/4" to 4 1/4"  
[95mm to 108mm]



8 5/8"  
[219mm]

5 1/2"  
[140mm]

Mounting Surface

Ø 2" [51mm]  
Flanges w/  
1/2" NPT  
Female Inlets

**Product Specifications:**

4" Deck Mount Mixing Faucet, Cerama Cartridges, Lever Handles,  
8" Swing Nozzle, 1.5 GPM Aerator & 1/2" NPT Female Inlets

**Product Compliance:**

ASME A112.18.1 / CSA B125.1  
NSF 61 - Section 9  
NSF 372 (Low Lead Content)  
ANSI A117.1 (ADA)



# T&S BRASS AND BRONZE WORKS, INC.

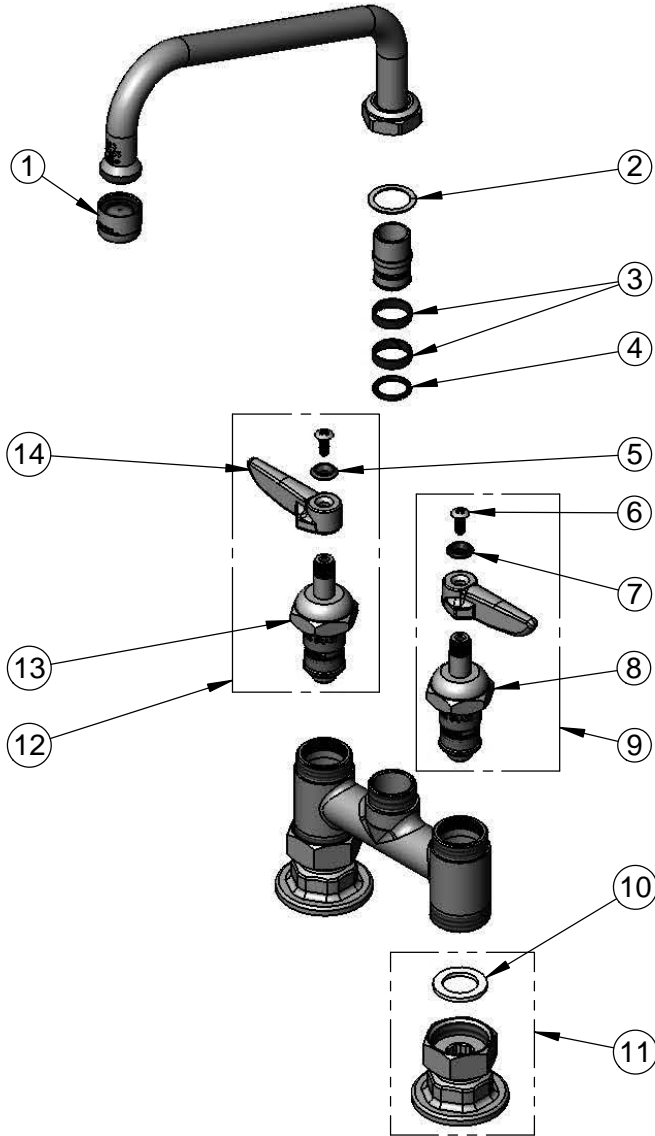
2 Saddleback Cove / P.O. Box 1088  
Travelers Rest, SC 29690

Model No.

**B-0227-CR-WS**

Item No.

Travelers Rest, SC: 800-476-4103 • Simi Valley, CA: 800-423-0150 • Fax: 864-834-3518 • www.tsbrass.com



ITEM NO.	SALES NO.	DESCRIPTION
1	B-0199-01-WS	1.5 GPM Aerator, 55/64-27 Female
2	009538-45	Swivel Washer
3	011429-45	Swivel Sleeves (2)
4	001074-45	O-Ring
5	001661-45	Red Index-HW
6	000922-45	Lever Handle Screw
7	001660-45	Blue Index-CW
8	011279-25	Quarter-Turn Cerama Cartridge, LTC
9	012445-25	Quarter-Turn Cerama Cartridge, LTC w/ Handle, Index & Screw
10	001019-45	Coupling Nut Washer
11	00AA	1/2" NPT Female Eccentric Flange
12	012444-25	Quarter-Turn Cerama Cartridge, RTC w/ Handle, Index & Screw
13	011278-25	Quarter-Turn Cerama Cartridge, RTC
14	001638-45	Lever Handle

**Product Specifications:**

4" Deck Mount Mixing Faucet, Cerama Cartridges, Lever Handles, 8" Swing Nozzle, 1.5 GPM Aerator & 1/2" NPT Female Inlets

**Product Compliance:**

ASME A112.18.1 / CSA B125.1  
NSF 61 - Section 9  
NSF 372 (Low Lead Content)  
ANSI A117.1 (ADA)