



T&S BRASS AND BRONZE WORKS, INC.

2 Saddleback Cove / P.O. Box 1088
Travelers Rest, SC 29690

Model No.

B-0228-CR

Item No.

Travelers Rest, SC: 800-476-4103 • Simi Valley, CA: 800-423-0150 • Fax: 864-834-3518 • www.tsbrass.com



ADA Compliant

This Space for Architect/Engineer Approval

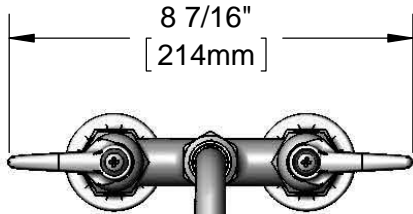
Job Name _____ Date _____

Model Specified _____ Quantity _____

Customer/Wholesaler _____

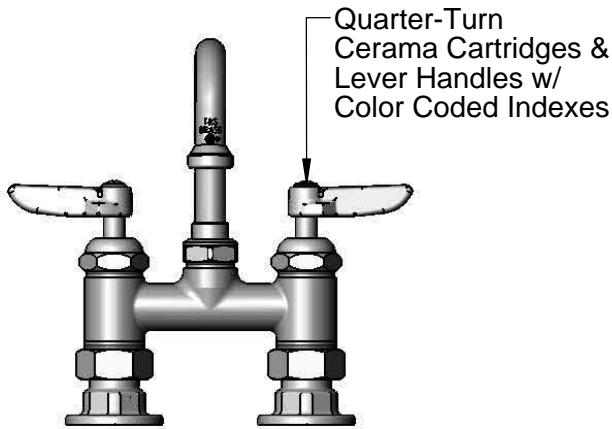
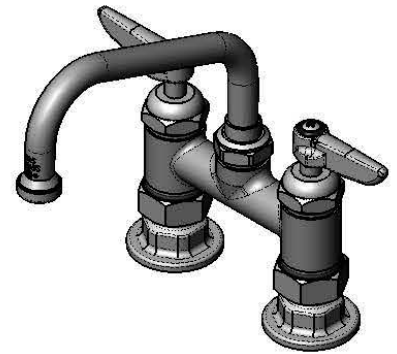
Contractor _____

Architect/Engineer _____



8 7/16"
[214mm]

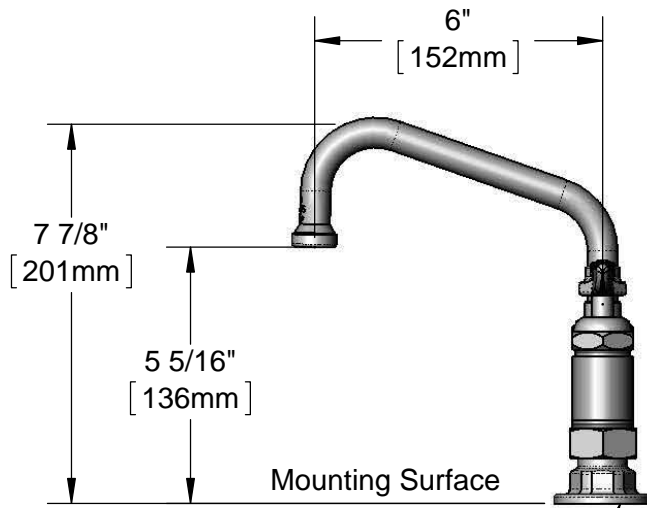
059X
6" Swing Nozzle w/
Stream Regulator Outlet



Quarter-Turn
Cerama Cartridges &
Lever Handles w/
Color Coded Indexes

4"
[102mm]

Adjustable from
3 3/4" to 4 1/4"
[95mm to 108mm]



7 7/8"
[201mm]

5 5/16"
[136mm]

Mounting Surface

6"
[152mm]

Ø 2" [51mm]
Flanges w/
1/2" NPT
Female Inlets

Product Specifications:

4" Deck Mount Mixing Faucet, w/ Quarter-Turn Cerama Cartridges,
6" Swing Nozzle, Lever Handles & 1/2" NPT Female Inlets

Product Compliance:

ASME A112.18.1 / CSA B125.1
NSF 61 - Section 9
NSF 372 (Low Lead Content)
ANSI A117.1 (ADA)



T&S BRASS AND BRONZE WORKS, INC.

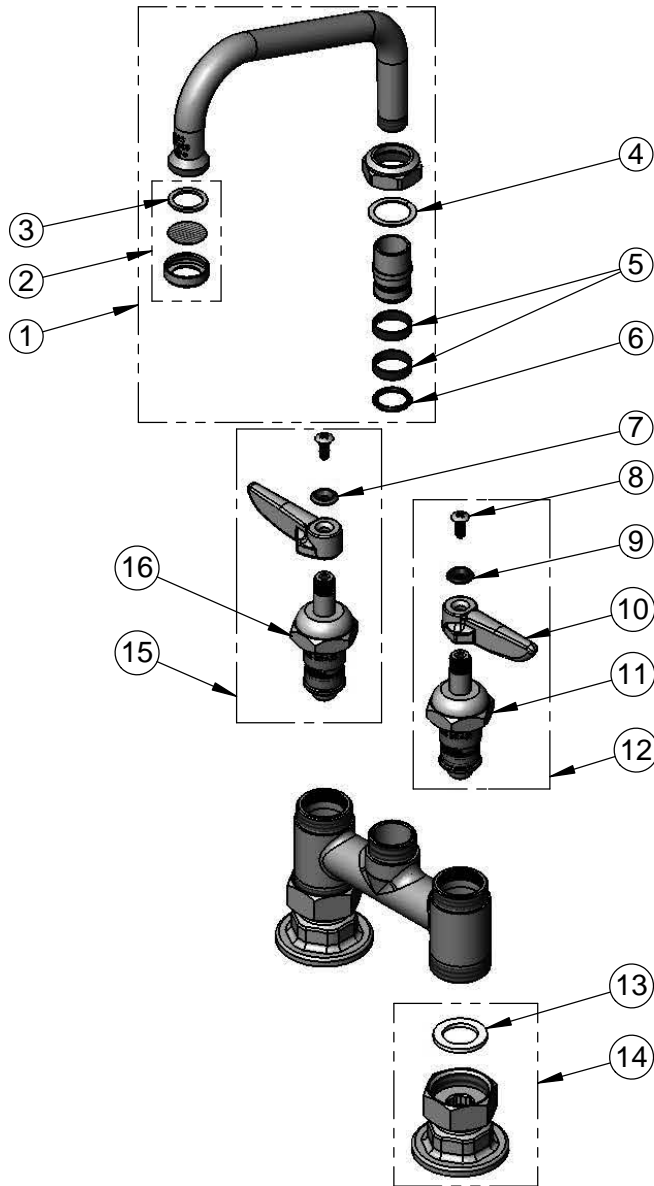
2 Saddleback Cove / P.O. Box 1088
Travelers Rest, SC 29690

Model No.

B-0228-CR

Item No.

Travelers Rest, SC: 800-476-4103 • Simi Valley, CA: 800-423-0150 • Fax: 864-834-3518 • www.tsbrass.com



ITEM NO.	SALES NO.	DESCRIPTION
1	059X	6" Swing Nozzle
2	B-PT	Stream Regulator Outlet
3	001048-45	Nozzle Tip Washer
4	009538-45	Swivel Washer
5	011429-45	Swivel Sleeves (2)
6	001074-45	O-Ring
7	001661-45	Red Index-HW
8	000922-45	Lever Handle Screw
9	001660-45	Blue Index-CW
10	001638-45	Lever Handle
11	011279-25	Quarter-Turn Cerama Cartridge, LTC
12	012445-25	Quarter-Turn Cerama Cartridge, LTC w/ Handle, Index & Screw
13	001019-45	Coupling Nut Washer
14	00AA	1/2" NPT Female Eccentric Flange
15	012444-25	Quarter-Turn Cerama Cartridge, RTC w/ Handle, Index & Screw
16	011278-25	Quarter-Turn Cerama Cartridge, RTC

Product Specifications:

4" Deck Mount Mixing Faucet, w/ Quarter-Turn Cerama Cartridges, 6" Swing Nozzle, Lever Handles & 1/2" NPT Female Inlets

Product Compliance:

ASME A112.18.1 / CSA B125.1
NSF 61 - Section 9
NSF 372 (Low Lead Content)
ANSI A117.1 (ADA)