



# T&S BRASS AND BRONZE WORKS, INC.

2 Saddleback Cove / P.O. Box 1088  
Travelers Rest, SC 29690

Model No.

**B-0230-01-QT**

Item No.

Travelers Rest, SC: 800-476-4103 • Simi Valley, CA: 800-423-0150 • Fax: 864-834-3518 • www.tsbrass.com

This Space for Architect/Engineer Approval

Job Name \_\_\_\_\_ Date \_\_\_\_\_

Model Specified \_\_\_\_\_ Quantity \_\_\_\_\_

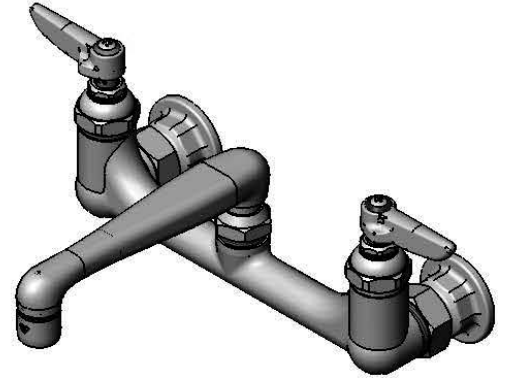
Customer/Wholesaler \_\_\_\_\_

Contractor \_\_\_\_\_

Architect/Engineer \_\_\_\_\_

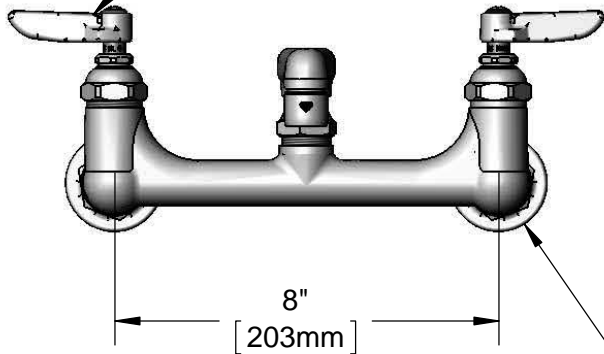


**ADA Compliant**



OCS6  
6" Swivel Cast Spout w/  
B-0199-01 Aerator  
2.2 GPM (Optional Swivel/Rigid  
Washer Included)

1/4 Turn Eterna Cartridges,  
Lever Handles w/ Color  
Coded Indexes

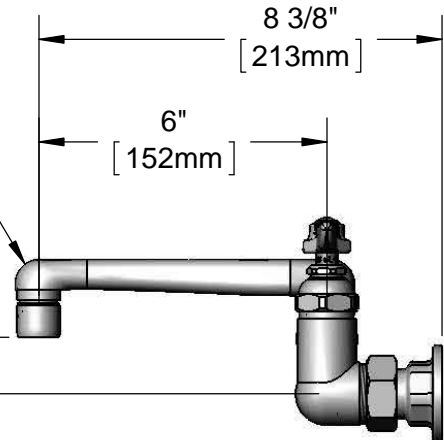


Adjustable from  
7 3/4" to 8 1/4"  
[197mm to 210mm]

8"  
[203mm]

1 3/16"  
[30mm]

Ø2"  
[51mm]  
Flanges w/  
1/2" NPT  
Female Inlets



Mounting  
Surface

Product Specifications:

8" c/c Wall Mount Mixing Faucet w/ 1/4 Turn Eterna Cartridges,  
Lever Handles, 6" Cast Spout & 1/2" NPT Female Inlets

Drawn

**KJG**

Checked

**DMH**

Approved

**JHB**

Scale:

**1:4**

Date:

**05/29/12**



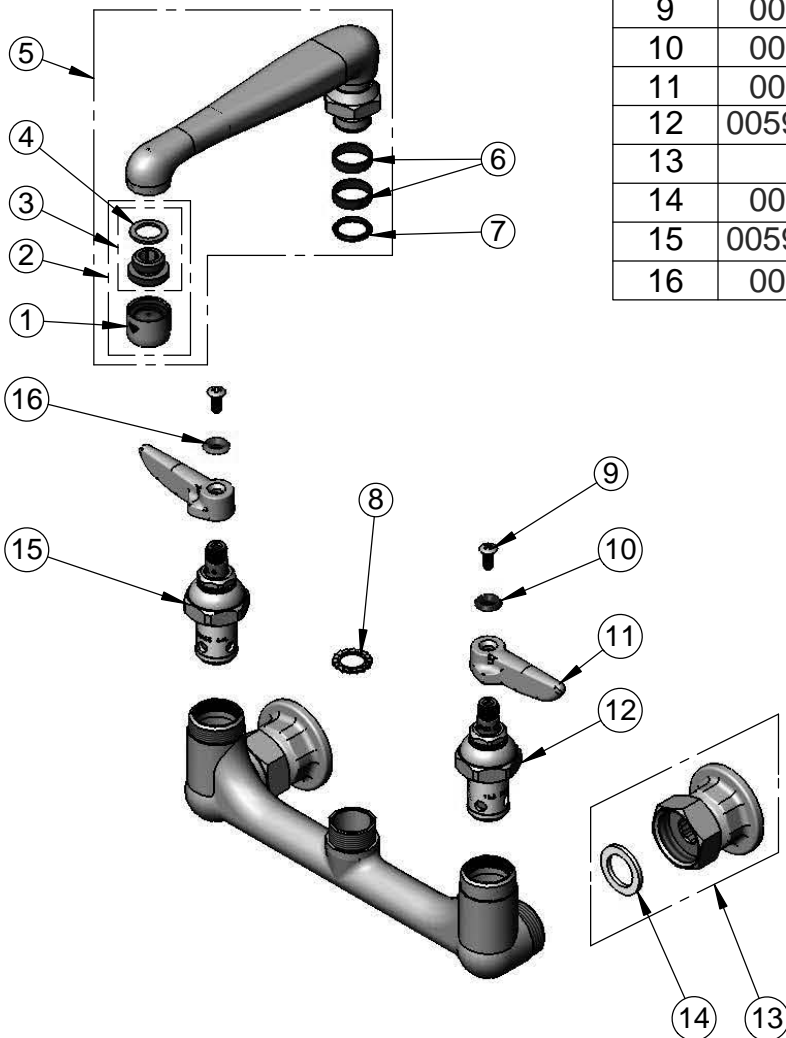
**T&S BRASS AND BRONZE WORKS, INC.**  
 2 Saddleback Cove / P.O. Box 1088  
 Travelers Rest, SC 29690

Model No.  
**B-0230-01-QT**

Item No.

Travelers Rest, SC: 800-476-4103 • Simi Valley, CA: 800-423-0150 • Fax: 864-834-3518 • www.tsbrass.com

ITEM NO.	SALES NO.	DESCRIPTION
1	B-0199-01	2.2 GPM Aerator, Female
2	B-0199-02	2.2 GPM Aerator w/ 3/8" NPT Male Adapter
3	044A	3/8" to Aerator Adapter
4	001043-45	Washer
5	OCS6	6" Cast Spout
6	011429-45	Swivel Sleeves (2)
7	001074-45	O-Ring
8	014200-45	Star Washer, Anti-Rotation
9	000922-45	Lever Handle Screw
10	001660-45	Blue Index-CW
11	001638-45	Lever Handle
12	005959-40QT	1/4 Turn LTC Eterna Cartridge
13	00AA	Flange Assembly
14	001019-45	Coupling Nut Washer
15	005960-40QT	1/4 Turn RTC Eterna Cartridge
16	001661-45	Red Index-HW



Product Specifications:  
 8" c/c Wall Mount Mixing Faucet w/ 1/4 Turn Eterna Cartridges,  
 Lever Handles, 6" Cast Spout & 1/2" NPT Female Inlets

Drawn <b>KJG</b>	Checked <b>DMH</b>	Approved <b>JHB</b>
Scale: <b>NTS</b>		Date: <b>05/29/12</b>