



# T&S BRASS AND BRONZE WORKS, INC.

2 Saddleback Cove / P.O. Box 1088  
Travelers Rest, SC 29690

Model No.

**B-0230-0CS8-CR**

Item No.

Travelers Rest, SC: 800-476-4103 • Simi Valley, CA: 800-423-0150 • Fax: 864-834-3518 • www.tsbrass.com

This Space for Architect/Engineer Approval

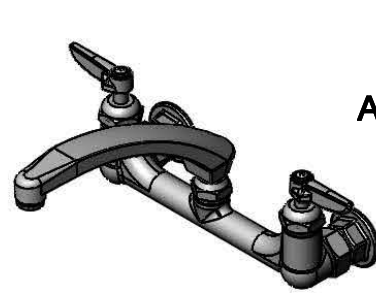
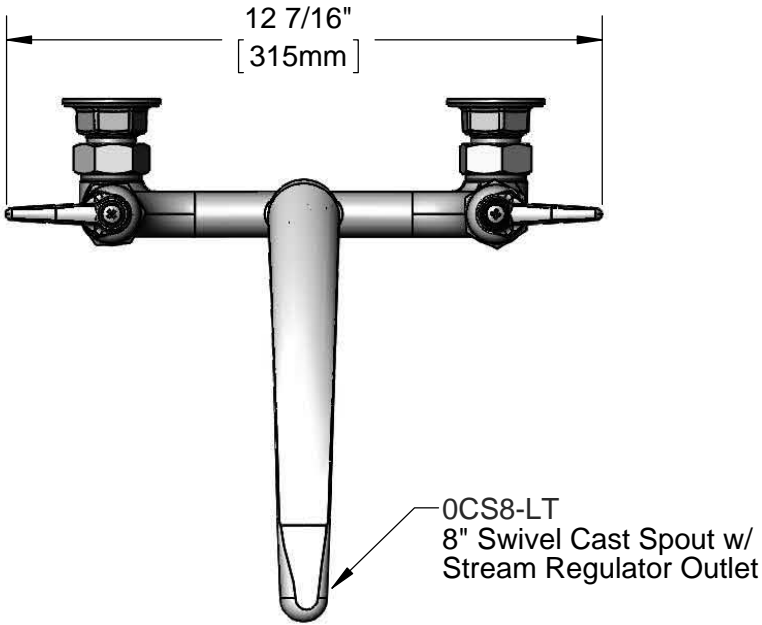
Job Name \_\_\_\_\_ Date \_\_\_\_\_

Model Specified \_\_\_\_\_ Quantity \_\_\_\_\_

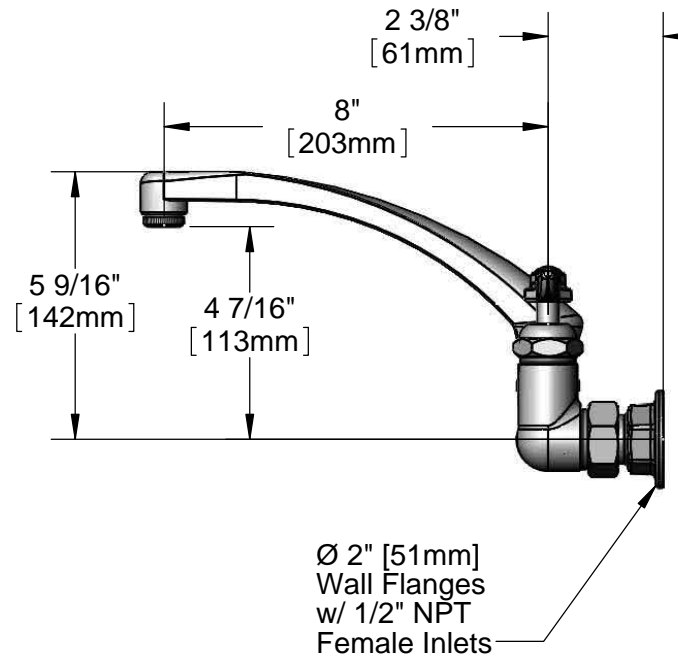
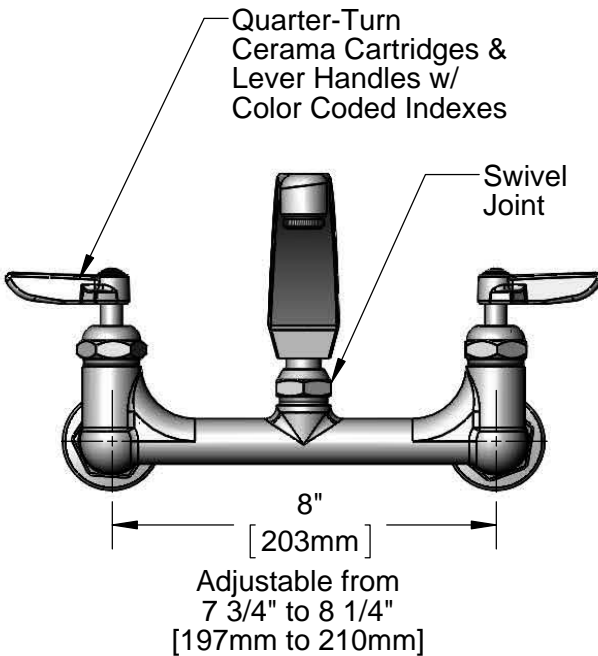
Customer/Wholesaler \_\_\_\_\_

Contractor \_\_\_\_\_

Architect/Engineer \_\_\_\_\_



**ADA Compliant**



**Product Specifications:**

8" Wall Mount Faucet, Cerama Cartridges, 8" Swivel Cast Spout & 1/2" NPT Wall Flange Inlets

**Product Compliance:**

ASME A112.18.1 / CSA B125.1  
NSF 61 - Section 9  
NSF 372 (Low Lead Content)  
ANSI A117.1 (ADA)



# T&S BRASS AND BRONZE WORKS, INC.

2 Saddleback Cove / P.O. Box 1088  
Travelers Rest, SC 29690

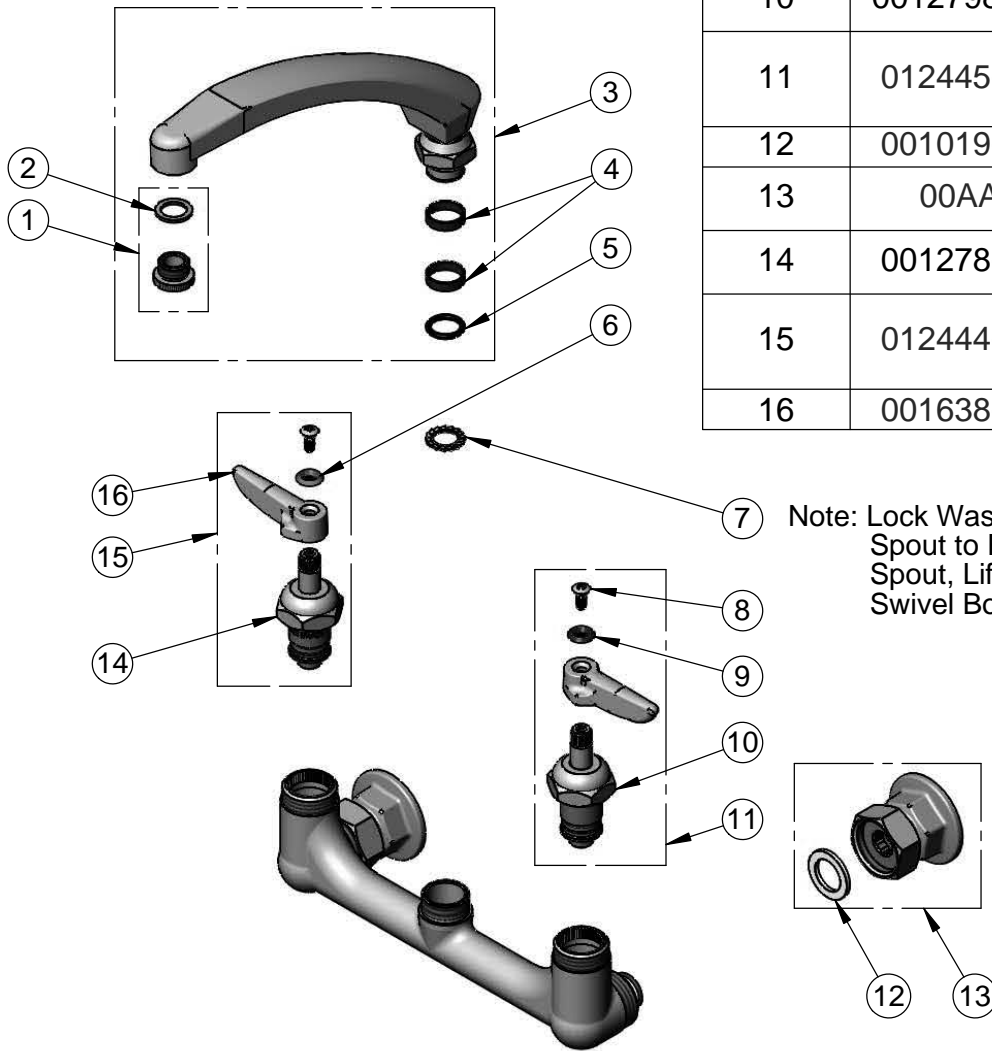
Model No.

**B-0230-0CS8-CR**

Item No.

Travelers Rest, SC: 800-476-4103 • Simi Valley, CA: 800-423-0150 • Fax: 864-834-3518 • www.tsbrass.com

ITEM NO.	SALES NO.	DESCRIPTION
1	B-LT	Stream Regulator Outlet
2	001043-45	Washer
3	0CS8-LT	8" Swivel Cast Spout w/ Stream Regulator Outlet
4	011429-45	Swivel Sleeves (2)
5	001074-45	O-Ring
6	001661-45	Red Index-HW
7	014200-45	Star Washer, Anti-Rotation
8	000922-45	Lever Handle Screw
9	001660-45	Blue Index-CW
10	0012798-25	Quarter-Turn Cerama Cartridge, LTC
11	012445-25	Quarter-Turn Cerama Cartridge, LTC w/ Handle, Index & Screw
12	001019-45	Coupling Nut Washer
13	00AA	B-0230 Faucet Body
14	001278-25	Quarter-Turn Cerama Cartridge, RTC
15	012444-25	Quarter-Turn Cerama Cartridge, RTC w/ Handle, Index & Screw
16	001638-45	Lever Handle



Note: Lock Washer Converts Swivel Spout to Rigid. To install, Uninstall Spout, Lift out & Place Washer into Swivel Body then Re-Install Spout

**Product Specifications:**

8" Wall Mount Faucet, Cerama Cartridges, 8" Swivel Cast Spout & 1/2" NPT Wall Flange Inlets

**Product Compliance:**

ASME A112.18.1 / CSA B125.1  
NSF 61 - Section 9  
NSF 372 (Low Lead Content)  
ANSI A117.1 (ADA)